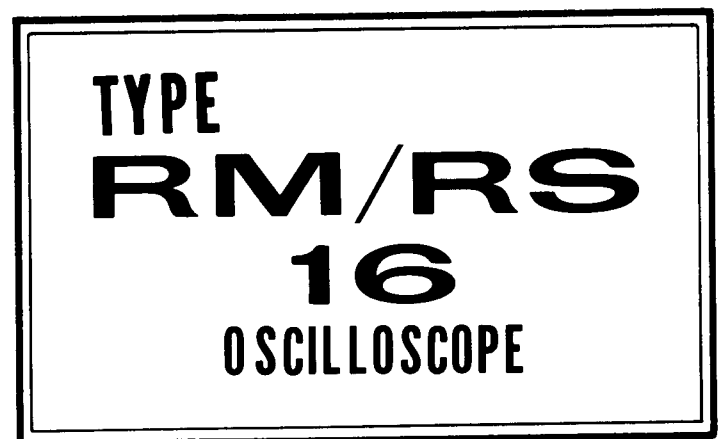


INSTRUCTION MANUAL



Tektronix, Inc.

S.W. Millikan Way ● P. O. Box 500 ● Beaverton, Oregon ● Phone MI 4-0161 ● Cables: Tektronix

Tektronix International A.G.

Terrassenweg 1A ● Zug, Switzerland ● PH. 042-49192 ● Cable: Tekintag, Zug Switzerland ● Telex 53.574
RM16 — 070-338 RS16 — 070-339



WARRANTY

All Tektronix instruments are warranted against defective materials and workmanship for one year. Tektronix transformers, manufactured in our own plant, are warranted for the life of the instrument.

Any questions with respect to the warranty mentioned above should be taken up with your Tektronix Field Engineer.

Tektronix repair and replacement-part service is geared directly to the field, therefore all requests for repairs and replacement parts should be directed to the Tektronix Field Office or Representative in your area. This procedure will assure you the fastest possible service. Please include the instrument Type and Serial number with all requests for parts or service.

Specifications and price change privileges reserved.

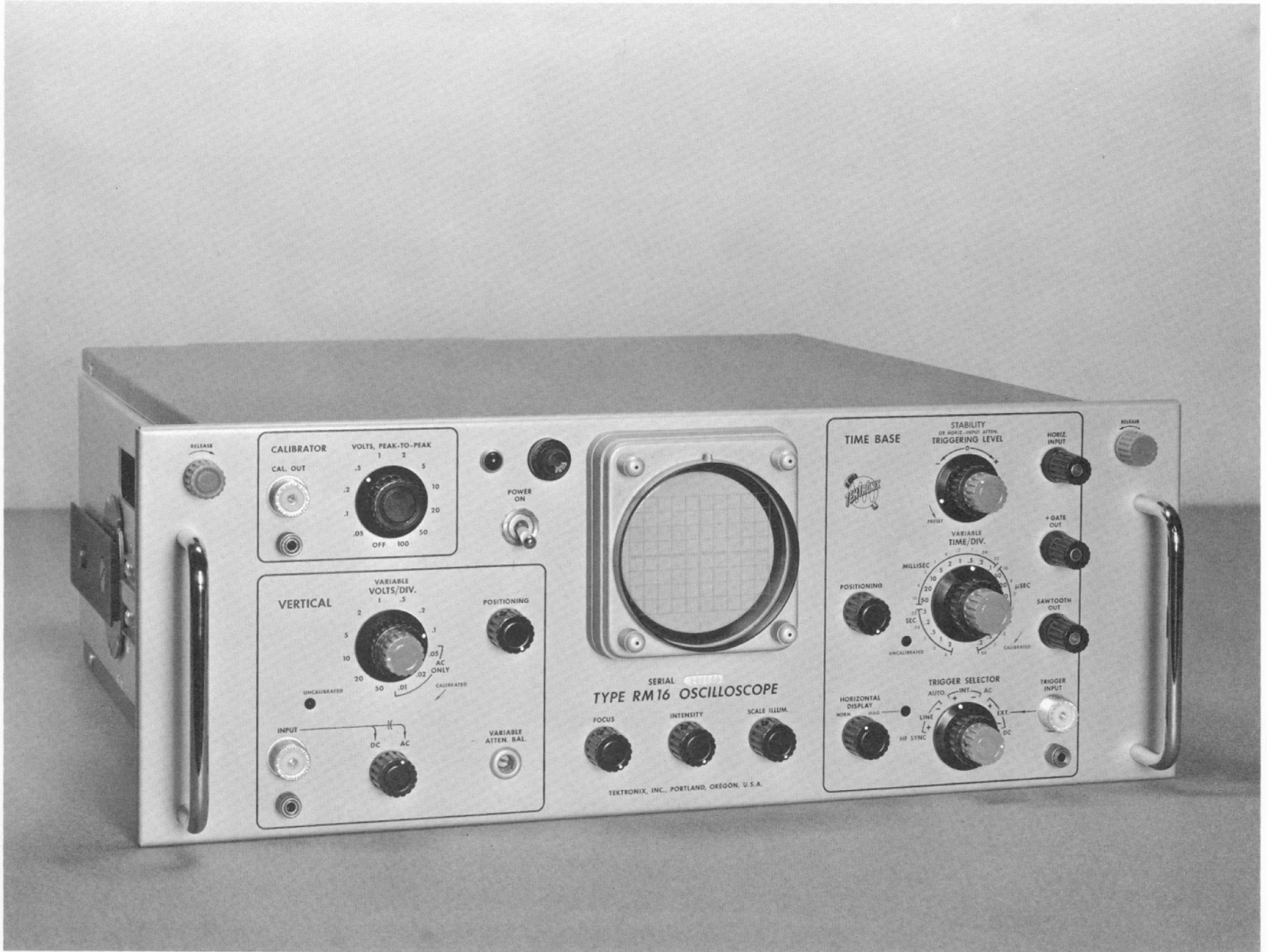
Copyright © 1959. New material copyright © 1962 by Tektronix, Inc., Beaverton, Oregon. Printed in the United States of America. All rights reserved. Contents of this publication may not be reproduced in any form without permission of the copyright owner.

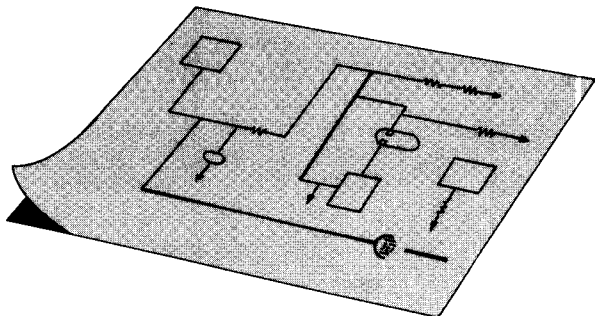


CONTENTS

Warranty

- Section 1 Characteristics
- Section 2 Mounting Instructions
- Section 3 Operating Instructions
- Section 4 Circuit Description
- Section 5 Maintenance
- Section 6 Calibration Procedure
- Section 7 Accessories
- Section 8 Parts List and Schematics





CHARACTERISTICS

General

The Type RM16 and Type RS16 are compact, rack-mounting, general-purpose oscilloscopes. Electrically, the specifications for both units are identical. Mechanically, the oscilloscopes differ in that the Type RS16 consists of two units (the power supply and indicator) as compared to the one-unit Type RM16. The dc-coupled vertical amplifiers and wide range of sweep rates, combined with small physical size, make these instruments desirable for many rack-mounted applications.

VERTICAL-DEFLECTION SYSTEM

Input characteristics

Direct connection—1 megohm, 38 pf.
 With P510A Probe—10 megohm, 13 pf.
 With P6017 Probe—10 megohm, 14 pf.

Deflection Factor

Twelve-position switch provides calibrated deflection factors from 0.1 v/div to 50 v/div, dc coupled, and from 0.01 v/div to 50 v/div, ac coupled accurate within 3%.

Continuously variable deflection factors are available from 0.01 v/div to approximately 125 v/div.

Frequency response

0.1 v/div to 50 v/div:

DC coupled—dc to 10 mc.

AC coupled—2-cps to 10 mc (0.2 cps to 10 mc when a Type P510A or P6017 Attenuator Probe is used.)

0.01 v/div to 0.05 v/div:

2 cps to 9 mc (1.3 cps to 9 mc when a Type P510A or P6017 Attenuator Probe is used.)

Risetime

0.035 microsecond.

HORIZONTAL-DEFLECTION SYSTEM

Sweep rates

Twenty-two-position switch provides calibrated sweep rates from 2 sec/div to 0.2 μ sec/div.

Accuracy typically within 1% of full scale; in all cases, within 3% of full scale.

Continuously variable sweep rates are available which will slow the calibrated sweep rates down by a factor of approximately 2.5X.

Magnifier

Expands sweep 5 times to the right and left of the crt-screen center. Extends the fastest sweep rate to 0.04 μ sec/div.

Accurate within 5%.

Unblanking

DC coupled.

Triggering signal requirements

Internal—0.2 major graticule division.

External—0.2 v to 20 v, peak-to-peak.

Frequency range—dc to 15 mc.

Synchronizing frequency range

5 mc to 15 mc.

Horizontal input

Deflection factor—approx. 1.3 v/div.

Frequency response—dc to 500 kc.

OTHER CHARACTERISTICS

Cathode-ray tube

Type T316P31-P1, P2, P7 and P11 phosphors optional.

Accelerating potential—1,850 volts.

Characteristics — Type RM/RS16

Deflection factor at plates:

Vertical—approximately 8 v/div. (32 v/in).

Horizontal—approx. 16.5 v/div (66 v/in).

Voltage calibrator

Square-wave output at approximately 1 kc.

Eleven fixed voltages from 0.05 volt to 100 volts, peak-to-peak.

Accuracy: $\pm 3\%$.

Output waveforms available

Positive gate of same duration as sweep, approximately 20 volts.

Positive-going sweep sawtooth, approximately 150 volts.

Power requirements

Line voltage—100 to 130 or 200 to 260 v, 50-60 cycles.

Power—260 w at 117 v line voltage.

Type RM16 mechanical characteristics

Mounting. Steel slide arms mounted on central pivot. Fingertip release of pivot allows chassis to be locked in any of seven positions after it has been slid clear of rack.

Ventilation—filtered, forced-air.

Finish—photoetched, anodized front panel.

Dimensions—19" wide, 7" high, 17 $\frac{9}{16}$ " deep.

Weight—36 $\frac{1}{2}$ pounds excluding accessories.

Type RS16 mechanical characteristics

Mounting. Power supply and indicator units bolt directly to the rack.

Ventilation—filtered, forced-air through power supply unit only.

Finish—photoetched, anodized panel.

Dimensions for indicator unit—19" wide, 7" high, 11 $\frac{3}{8}$ " deep; power supply unit—19" wide, 7" high, 5 $\frac{1}{2}$ " deep.

Weight—38 pounds excluding accessories.

Accessories included

1—P6017 Probe.

1—3 to 2-wire power cord adaptor.

2—A510 Binding-post adaptors.

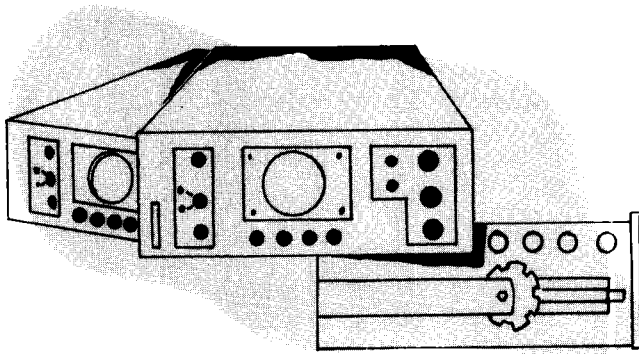
1—3" Green Filter.

1—Interunit power cable (for Type RS16 only).

1—Instruction Manual.

SECTION 2

MOUNTING INSTRUCTIONS



TYPE RM16 INSTALLATION

Cabinet Rack Mounting

To mount the RM16 in a cabinet rack:

1. Mark the point on the rack where you want to position the top of the front panel. Mark a second position $3\frac{1}{4}$ inches below this point. The center of the top mounting screw should fall on the second mark.
2. Using two 8-32 screws for each bar nut, fasten an 8-32 bar nut to the mounting holes. The top screw will go in the

hole found in Step 1, and the bottom screw will go through a mounting hole approximately $1\frac{3}{4}$ inches below the first.

NOTE

In some cases it may be necessary to enlarge the mounting holes in the relay rack rails slightly to permit the mounting screws to turn freely.

3. Slip the front lip of the Chassis-Trak between the cabinet and the bar nut as shown in Figure 2-2A.
4. Tighten the 8-32 screws so that the Chassis-Trak is held securely to the rail of the cabinet rack.

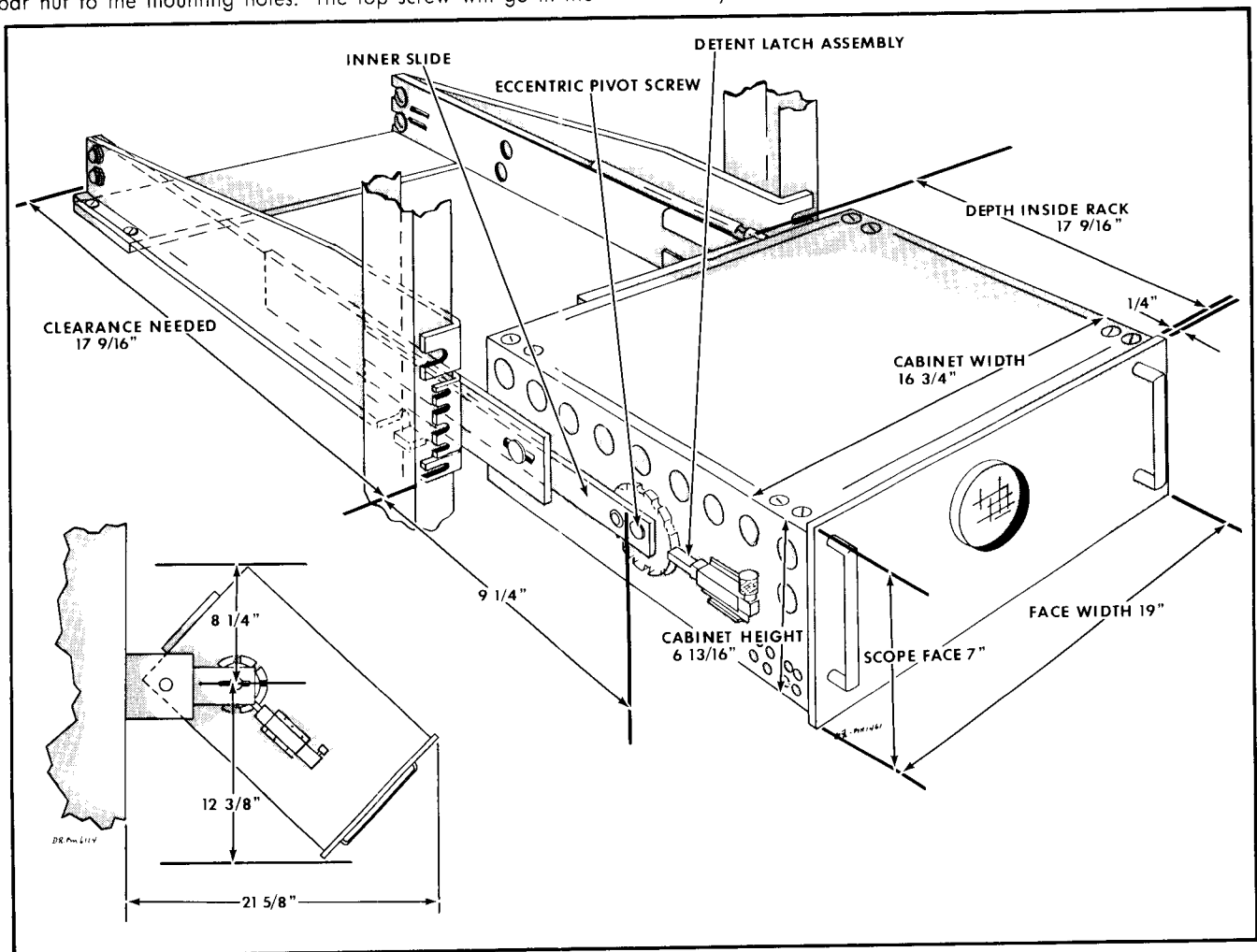


Fig. 2-1. Type RM16 mounting dimensions. These dimensions determine the space you must allow for the installation of your RM16.

Mounting Instructions — Type RM/RS16

5. In some types of cabinets, you may need the extension brackets furnished with the Chassis-Traks. Figure 2-2A shows you how to assemble the extension brackets furnished with each set of tracks.
6. Slide the Type RM16 into the Chassis-Trak slides. Pull the instrument out and push it back into the slides several times. If the slide mechanism seems to work stiffly, loosen mounting screws slightly and allow the Chassis-Trak to adjust to the weight of the instrument. When the slide mechanism is working smoothly retighten all screws.
7. If the detent latch assemblies and inner slides are not parallel, loosen pivot nuts and adjust the eccentric pivot screws for parallel alignment. Retighten the pivot nuts.

Relay Rack Mounting

To mount the Type RM16 in a relay rack:

1. Bolt the rear of the Chassis-Trak to the rear of the corresponding cradle section using the 8-32 nuts and bolts provided as shown in Figure 2-2b.
2. Mark a point on the relay rack where you want to position the top of the front panel. Mark a second position 2 inches below this point. The center of the top mounting screw should fall at this point.
3. Using Figure 2-3 as a guide, assemble the cradle and Chassis-Trak on the corresponding rails of the relay rack, allowing 2 inches between the center of the top mounting screw and the position you selected for the top of the RM16 front panel.
4. Fasten the brace across the rear of the cradle assembly, making sure that it is mounted on the bottom of the cradle sides.
5. Place the Type RM16 in the Chassis-Trak slides as shown in Figure 2-3. Operate the slide mechanism several times with the instrument installed. If the operation of the slides is not smooth, loosen the mounting bolts and allow the slide mechanism to adjust to the weight of the instrument. Be sure to retighten all bolts after the mounting has been adjusted.
6. If the detent latch assemblies and inner slides are not parallel, loosen pivot nuts and adjust the eccentric pivot screws for parallel alignment. Retighten the pivot nuts.

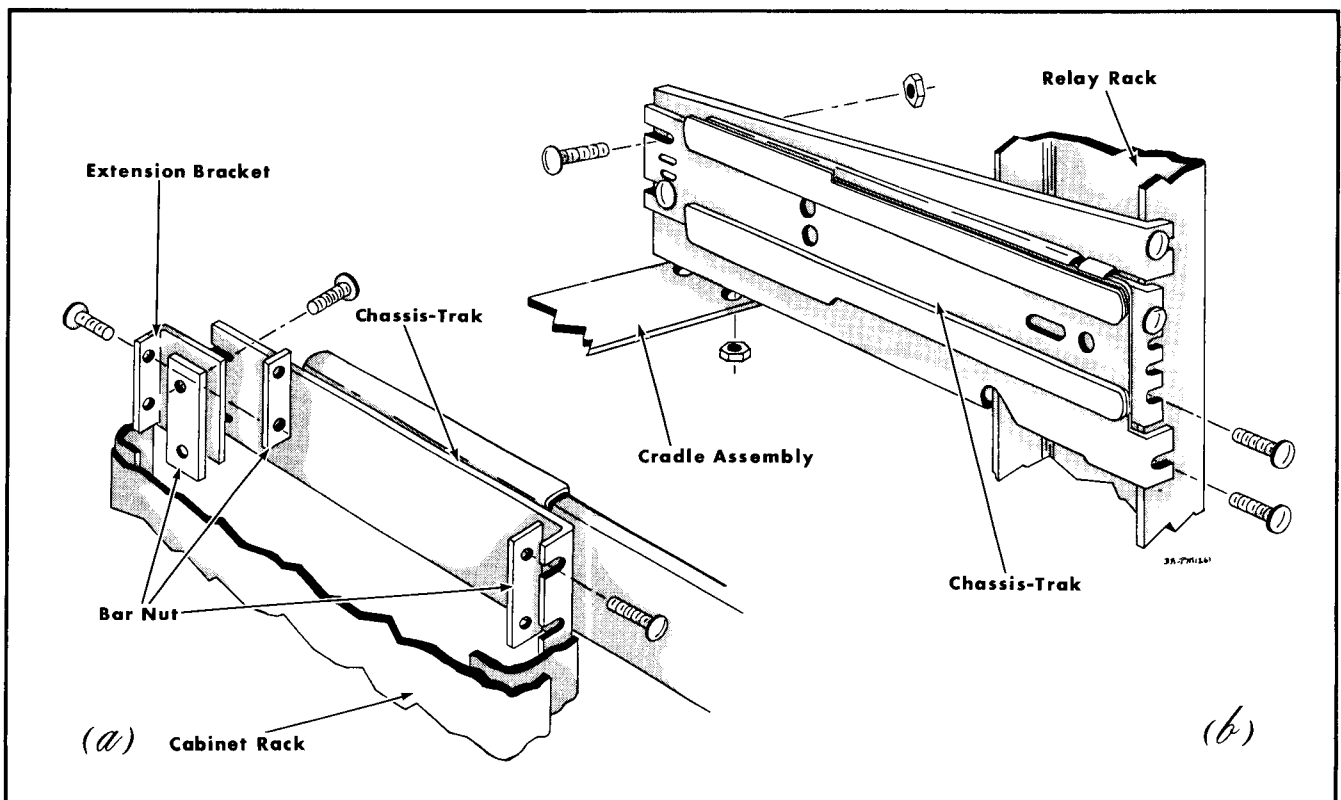


Fig. 2-2. Mounting the Chassis-Trak slides. (A) The Chassis-Trak installed in a cabinet rack. (B) The Chassis-Trak installed in a relay rack.

Type RS16 installation

The Type RS16 is a two-unit model for racks with limited depth. The two units are the power supply and the indicator.

To mount the Type RS16 in the rack:

1. Bolt each unit directly to the rack with the mounting screws and cup washers.

2. Install the interunit power cable and the power cord. Figure 2-4 shows the mounting dimensions and cooling requirements.

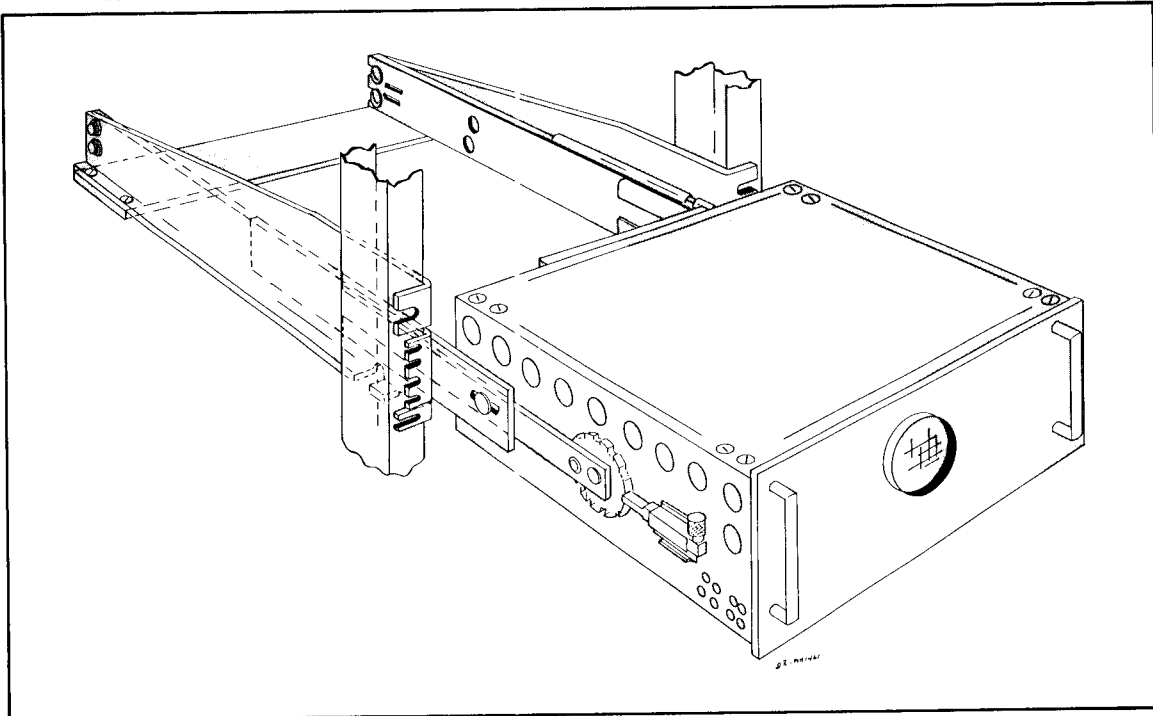


Fig. 2-3. The completed installation. It may be necessary to loosen the bolts and allow the slide mechanism to adjust to the weight of the instrument.

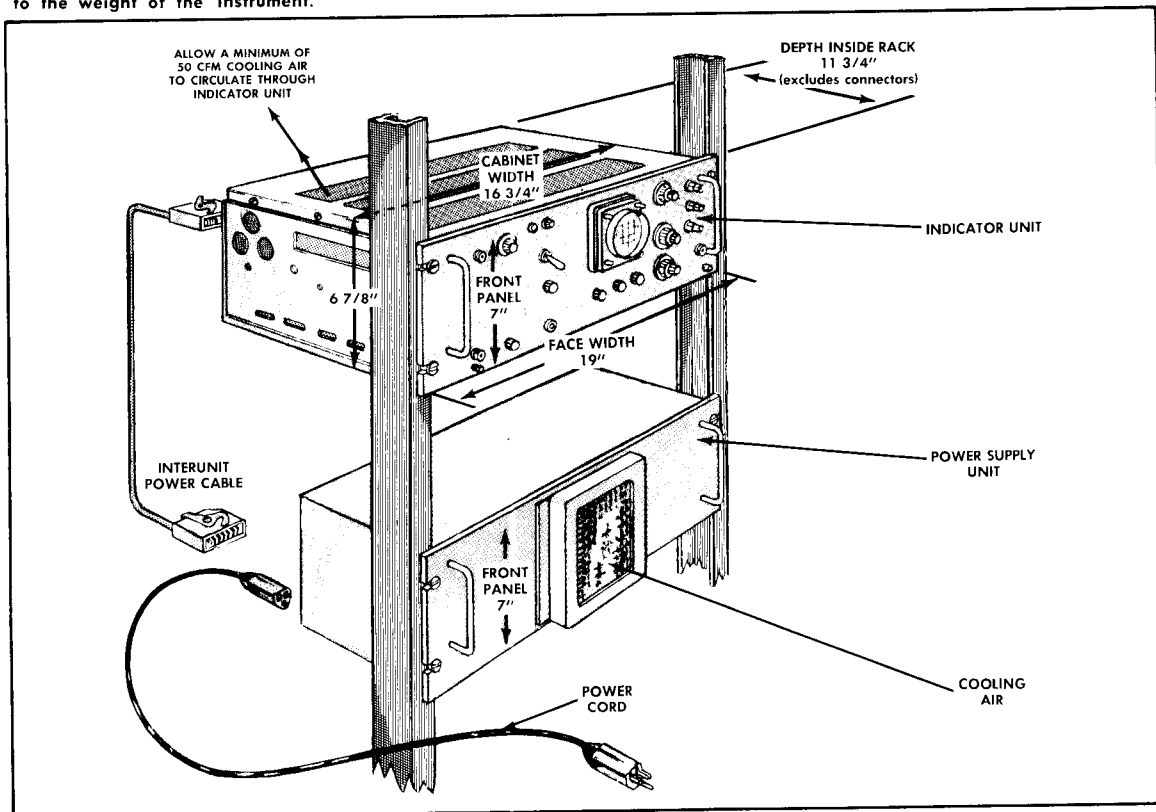
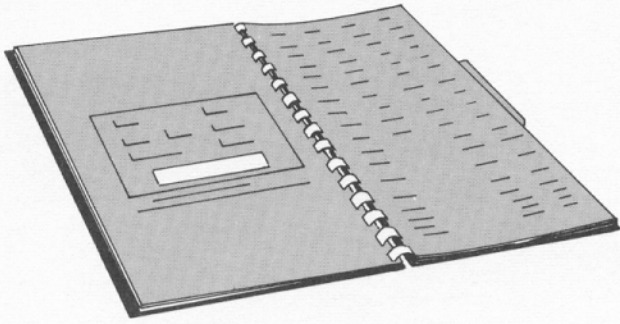


Fig. 2-4. Type RS16 mounting dimensions and cooling requirements.

OPERATING INSTRUCTIONS



General

The Type RM16-RS16 Oscilloscope is an extremely versatile instrument which is adaptable to a great number of applications. However, to make full use of the instrument, it's important that you understand the operation and function of the various controls. This section of the manual is designated to give you this information.

PRELIMINARY INSTRUCTIONS

Cooling

A fan maintains safe operating temperature in the Type RM16-RS16 by circulating filtered air over the rectifiers and other components. When in operation, the instrument must be placed so that the air intake at the back is clear of any obstruction that might impede the flow of air. Side panels should also be in place for proper air circulation. The air filter should be kept clean, in accordance with cleaning instructions found in the Maintenance Section of the manual.

Under no circumstances should your Type RM16-RS16 oscilloscope be operated without the fan running. Without the fan, inside temperature of the oscilloscope will rise to a dangerous level in five or ten minutes. In this event, the thermal cutout switch will disconnect the power and keep it disconnected until the temperature drops to a safe level.

Power Requirements

Unless tagged otherwise, this instrument is connected at the factory for operation at 117 volts. However, provisions are made for easy conversion to other voltages.

TRANSFORMER PRIMARY CONNECTIONS

LINE VOLT-AGE OPERATING RANGE	NOMINAL LINE VOLTAGE	CONNECT JUMPER WIRE OR WIRES BETWEEN TERMINALS AS FOLLOWS
110 to 117	110	3 to 4 and 5 to 6
105 to 125	117	2 to 4 and 5 to 7
112 to 130	124	1 to 4 and 5 to 8
200 to 234	220	3 to 6
210 to 250	234	2 to 7
224 to 260	248	1 to 8

Fan Connections

The cooling fan is powered by a 117-volt ac motor. If the instrument is converted to operate from a 234-volt line, a change in the fan wiring must be made so that it operates from a 117-volt source.

The power connections for the fan are terminated on a ceramic strip in front of the fan. The correct connections for 100 to 130 volt operation are shown in Figure 3-1. To connect the fan for 200 to 260 volt operation, move the left-hand fan lead from the first slot to the second.

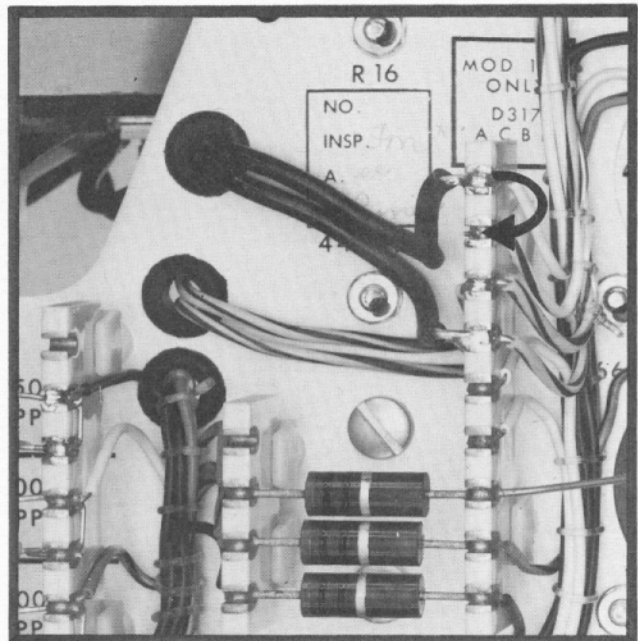


Fig. 3-1. Fan connections for 110, 117, or 124 nominal line volts. For 220, or 234 or 248-volt operation move upper fan lead down one notch.

Fuse Data

Use only the recommended fuses for maximum over-current protection. See your parts list.

OSCILLOSCOPE OPERATION INFORMATION

Initial control settings.

Set the oscilloscope controls as follows:

Operating Instructions — Type RM/RS16

FOCUS	centered
INTENSITY	full left (counterclockwise)
POWER	ON
VOLTS/DIV. (black knob)	5
VARIABLE VOLTS/DIV (red knob)	CALIBRATED (full right)
AC-DC	AC
TRIGGER SELECTOR (black knob)	+INT.
TRIGGER SELECTOR (red knob)	AUTO.
STABILITY	PRESET
TRIGGERING LEVEL	full right or full left
DISPLAY	NORM.
TIME/DIV. (black knob)	.5 MILLISEC (black numbers)
VERTICAL POSITIONING	centered
HORIZONTAL POSITIONING	centered
CALIBRATOR	10

Focus and Astigmatism Controls

The FOCUS and ASTIGMATISM controls operate in conjunction with each other to allow you to obtain a sharp, clearly defined display. To adjust the FOCUS and ASTIGMATISM controls, put a signal in from the CAL OUT connector of about two major divisions. Now with the FOCUS and ASTIGMATISM controls adjust the displayed waveform for the sharpest vertical and horizontal trace lines available. The area of the display you should observe, is an area two divisions high and two divisions wide with its center where the center vertical and horizontal lines of the graticule meet. Keep the intensity at a level just high enough for you to see the waveform, during this adjustment. If you are using a green filter on your scope, make sure the adjustment is done at an intensity high enough to be seen through the filter.

Intensity Control

The INTENSITY control is used to adjust the brightness of the oscilloscope display. This permits you to compensate for changes in brightness resulting from changes in the sweep triggering rate. The INTENSITY control is rotated clockwise to increase brightness and counterclockwise to decrease it. Be careful when you use the INTENSITY control that the brightness is not turned up to where it will permanently damage the face of the cathode-ray tube. If brightness is turned up to the point where a halo forms around the spot, it should be turned down immediately.

Graticule Illumination Control

The graticule used with the Type RM16-RS16 Oscilloscope is accurately marked with 10 horizontal and 8 vertical divisions. These graticule markings allow you to make time and voltage measurements from the oscilloscope screen.

The graticule is illuminated by two lamps located at the top edge of the graticule.

Graticule illumination is adjusted by the SCALE ILLUM. control located just under the oscilloscope screen. Rotating the control clockwise increases the brightness of the graticule markings, and turning it counterclockwise decreases brightness.

As a general rule, white graticule lines are superior to red for photographic purposes. Where it is desired to photograph a display, it may be desirable to remove the red plastic inserts from the graticule so the lines will appear white. Where the volume of photographic work warrants it, you may want to obtain a clear graticule from your Tektronix Field Engineer.

Positioning Controls

Two controls are used with the Type RM16-RS16 for positioning the trace on the oscilloscope screen. One control is used to set horizontal positioning of the trace. This is located on the front panel of the instrument. The second control is used to set vertical positioning, and is located on the front panel of the scope.

The HORIZONTAL POSITION control causes the trace to move to the right when it is rotated in the clockwise direction and to the left when rotated counterclockwise.

The vertical positioning control has enough range to allow the trace to be positioned completely off the top or bottom of the screen or anywhere in between. The trace moves up when the control is turned clockwise and down when the control is turned counterclockwise.

Input Signal Connections

The electrical waveform to be observed is applied to the input connector. The waveform is then connected through the vertical-deflection system of the oscilloscope to cause the spot to be deflected vertically and to trace out the waveform on the screen of the crt. The vertical size of the displayed waveform is adjusted with the VOLTS/DIV. switch. The VOLTS/DIV. switch is an accurately calibrated control which, when used with the graticule, allows you to make precise voltage measurements from the displayed waveforms.

Certain precautions must be taken when you are connecting the oscilloscope to the input signal source to insure that accurate information is obtained from the oscilloscope display. This is particularly true when you are observing low-level signals or waveforms containing high or extremely low frequency components. For applications where you are observing low-level signals, unshielded input leads are unsatisfactory because they tend to pick up stray signals which produce erroneous oscilloscope displays. Shielded cables should be used whenever possible, with the shield connected to the chassis of both the oscilloscope and the signal source. Regardless of the type of input lead used, keep them as short as possible.

Distortion of the input waveform may result if very low-frequency input signals are ac coupled into the oscilloscope, if high-frequency waveforms are not properly terminated,

or if the input waveform contains high-frequency components which exceed the passband of the oscilloscope. You must be aware of the limitations of the instrument.

In analyzing the displayed waveform, you must consider the loading effect that the oscilloscope has on the input signal source. In most cases this loading effect is negligible, but in some applications, loading caused by the oscilloscope may materially alter the results obtained. In such cases you may want to use a probe to reduce the amount of loading.

Vertical-Amplifier Operation

Coupling

It is sometimes unnecessary or undesirable to display the dc level of the waveform. In the AC position of the AC-DC switch, a capacitor in series with the input blocks the dc component of the waveform so that only the ac component is displayed.

Deflection Sensitivity

The VOLTS/DIV. switch inserts frequency-compensated attenuators ahead of the amplifier. The VARIABLE control provides continuous adjustment of the deflection sensitivity (2.5 to 1 attenuation ratio) between the values indicated by the VOLTS/DIV. switch. The VARIABLE control must be clockwise against the stop for the sensitivity to be as indicated by the VOLTS/DIV. switch. The UNCALIBRATED light indicates when the VARIABLE control is not fully clockwise.

VARIABLE ATTEN. Balance Adjustment

After the scope has been in use for a period of time you will notice that the trace will change position as the VARIABLE control is rotated. This is caused by tube aging and the resultant shift in operating potentials. To correct this condition rotate the VARIABLE control back and forth and adjust the VARIABLE ATTEN. BAL control until the trace position is no longer affected by rotation of the VARIABLE control.

Use of Probes

Occasionally, connecting the input of an oscilloscope to a signal source loads the source enough to adversely affect both the operation of the source and the waveform displayed on the oscilloscope. When this occurs, both capacitive and resistive loading due to the oscilloscope can be reduced to a negligible value by using an attenuator probe.

In addition to providing isolation of the oscilloscope from the signal source, an attenuator probe also decreases the amplitude of the displayed waveform by the attenuation factor of the probe. Use of a probe allows you to increase

the vertical deflection factors of the oscilloscope to look at large amplitude signals which are beyond the normal limits of the oscilloscope. Signal amplitudes, however, must be limited to the maximum allowable value of the probe used.

Before using a probe, you must check (and adjust if necessary) the compensation of the probe to prevent distortion of the applied waveform. To adjust the probe compensation, place the DISPLAY switch at NORMAL (X1), the TRIGGER SELECTOR (Red knob) switch at AUTO, and the TRIGGER SELECTOR (Black knob) switch at +INT. Turn up the intensity until the trace is visible and connect the probe tip to the CAL OUT connector. Set the CALIBRATOR for 2 major divisions of displayed signal. Set the TIME/DIV. switch to display approximately 3 or 4 cycles of the Calibrator waveform and adjust the probe compensation control to obtain flat tops on the displayed Calibrator square waves as shown in Fig. 3-2.

The method of setting the compensation control depends on the probe in use. If your oscilloscope is equipped with a Type P510A Probe, compensation is by means of a screwdriver adjustment through the hole near the nose end of the probe body. If a P6000 type probe is used, it is necessary to first unlock the Locking Sleeve by turning it counterclockwise. The probe is then compensated by rotating the probe body while watching the oscilloscope display for the desired waveform. When compensation is completed, carefully turn the Locking Sleeve clockwise to lock it without disturbing the adjustment of the probe.

If a P6017 type probe is used it can be compensated by adjusting the capacitor mounted in the box which will be near the coax fitting for the scope. The capacitor can be reached through the hole in the box. See Fig. 3-2 for the different probes.

HORIZONTAL DEFLECTION SYSTEM

Trigger Operation

For most uses of the oscilloscope a stable display of some waveforms is required. To accomplish this the oscilloscope can be operated so that the horizontal sweep starts at a given point on the displayed waveform. This is known as "triggered" operation. For the present, we will refer to the starting of the sweep, at the left side of the graticule, as "triggering" the sweep.

Triggered operation is useful for observing a waveform which may occur only once, or which may occur at random intervals. For these uses, the oscilloscope can be used in such a way that each horizontal sweep is triggered by some waveform other than the one being observed, but which bears a time relationship to the observed waveform.

The waveform used to start the horizontal sweep is called the "triggering signal", whether it is the waveform being observed, or some other waveform. The instructions that follow tell you how to select this signal. They also contain information on triggering according to various modes, depending on the nature of the triggering signal.

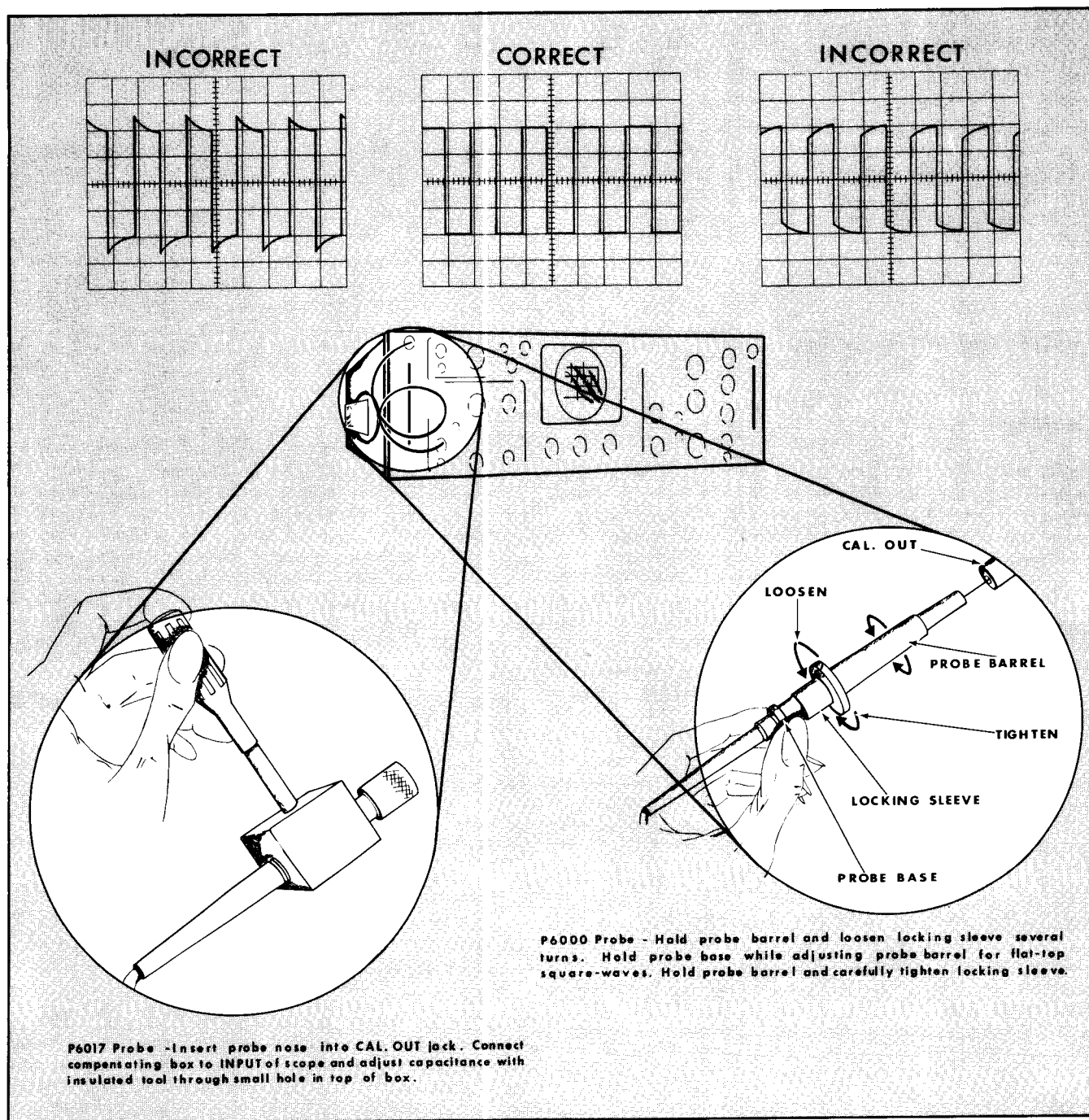


Fig. 3-2. When compensating the probe, it is adjusted to obtain an undistorted presentation of the calibrator square-wave.

Selecting the Triggering Signal

1. To trigger the sweep from the waveform being observed, set the black TRIGGER SELECTOR knob to INT. (+ or -).
2. To trigger the sweep from the power line wave (as in the case when observing a waveform which has a time relationship to the powerline wave), set the black TRIGGER SELECTOR knob to LINE (+ or -).
3. To trigger the sweep from some external waveform (one having a time relationship to the waveform being

observed), connect the source of the triggering signal to the TRIGGER INPUT connector and set the black TRIGGER SELECTOR knob to EXT. (+ or -).

Refer to Fig. 3-3 for a complete pictorial presentation of the various triggering source options.

Selecting the Triggering Slope

The horizontal sweep can be triggered on either the rising (+ slope) or falling (- slope) portion of the triggering waveform as determined by the position of the TRIGGER

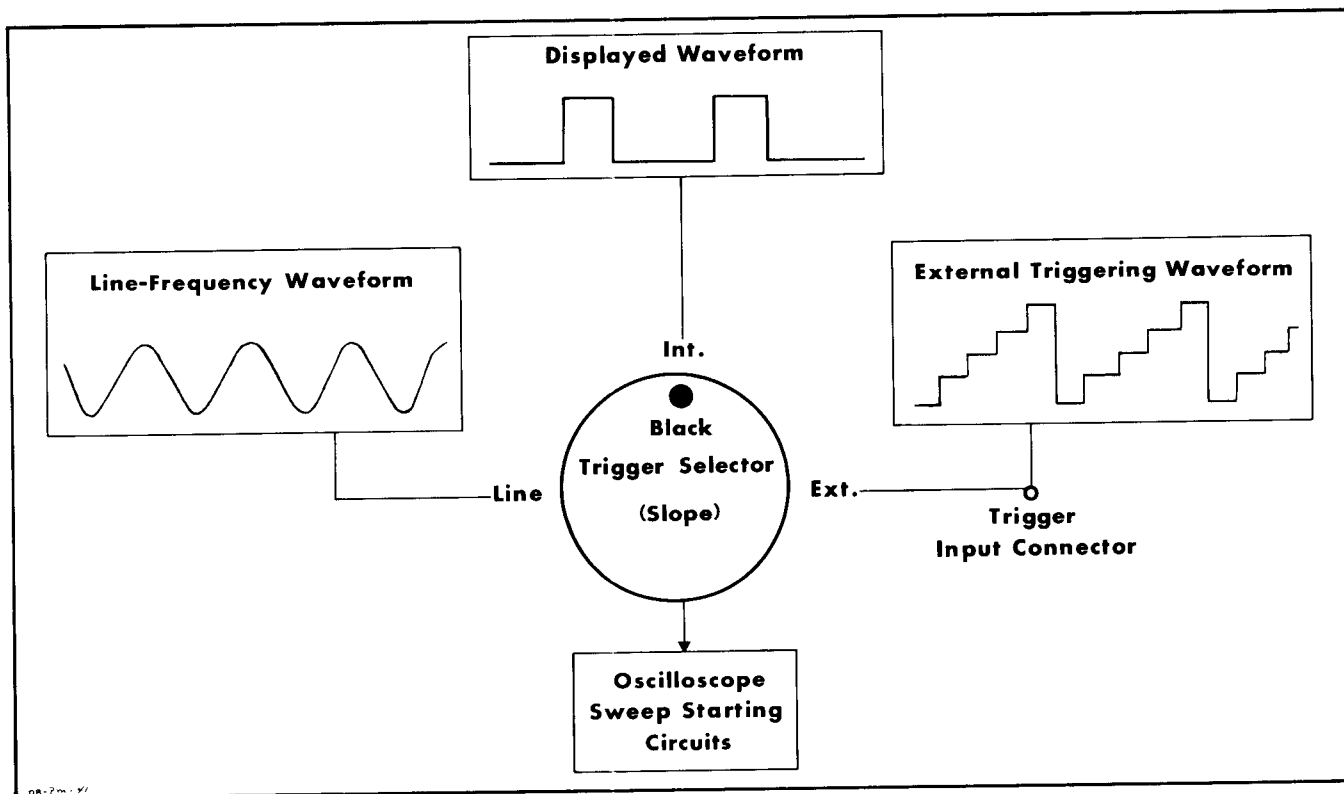


Fig. 3-3. The triggering signal is selected from three possible sources with the TRIGGER SELECTOR (black knob).

SELECTOR switch. When the switch is in one of the + positions, the sweep is triggered on the rising portion of the triggering waveform; when the TRIGGER SELECTOR switch is in one of the — positions, the sweep is triggered on the falling portion of the waveform. (See Fig. 3-4).

In many applications the triggering slope is not important, since triggering on either slope will provide a display which is suitable to the application. However, in many other cases such as pulse measurements, the triggering slope is very important. If, while using a fast sweep, you wish to see the rise of a pulse, it will be necessary for you to trigger the sweep on the rising portion of the waveform by placing the TRIGGER SELECTOR (black knob) switch in one of the + positions. To observe the fall of a pulse at a fast sweep rate, it will be necessary to trigger the sweep on the falling portion of the waveform by placing the TRIGGER SELECTOR (black knob) switch in one of the — positions. In either case, selection of the wrong triggering slope will make it impossible for you to see the portion of the waveform you want to check.

Using the STABILITY and TRIGGERING LEVEL Controls

Triggered operation in all modes except AUTOMATIC and HF SYNC will require proper setting of the STABILITY

and TRIGGERING LEVEL controls. The TRIGGERING LEVEL control has no effect in either AUTOMATIC or HF SYNC modes.

The STABILITY control has a PRESET position at the fully counterclockwise setting of the control. This position permits proper triggering in many applications without necessitating additional adjustment of the STABILITY control. If it becomes difficult or impossible for you to obtain proper triggering with the STABILITY control at PRESET, you must then adjust the control. This is done with the TRIGGERING LEVEL control fully counterclockwise. The STABILITY control is rotated clockwise from the PRESET position until a trace appears on the screen. The proper STABILITY setting for a triggered display is then obtained by turning the knob slowly counterclockwise until the trace just disappears.

The TRIGGERING LEVEL control should then be turned slowly toward the 0 position until a stable display appears on the screen. The TRIGGERING LEVEL control also determines the exact point on the triggering waveform where triggering of the sweep occurs. Turning the control clockwise causes the sweep to trigger at more positive points on the waveform, while turning the control counterclockwise causes the sweep to trigger at more negative points. If the displayed waveform is vertically centered under the graticule, setting the TRIGGERING LEVEL control at 0 will cause the sweep to start at approximately the mid-voltage point of the waveform, except in DC mode.

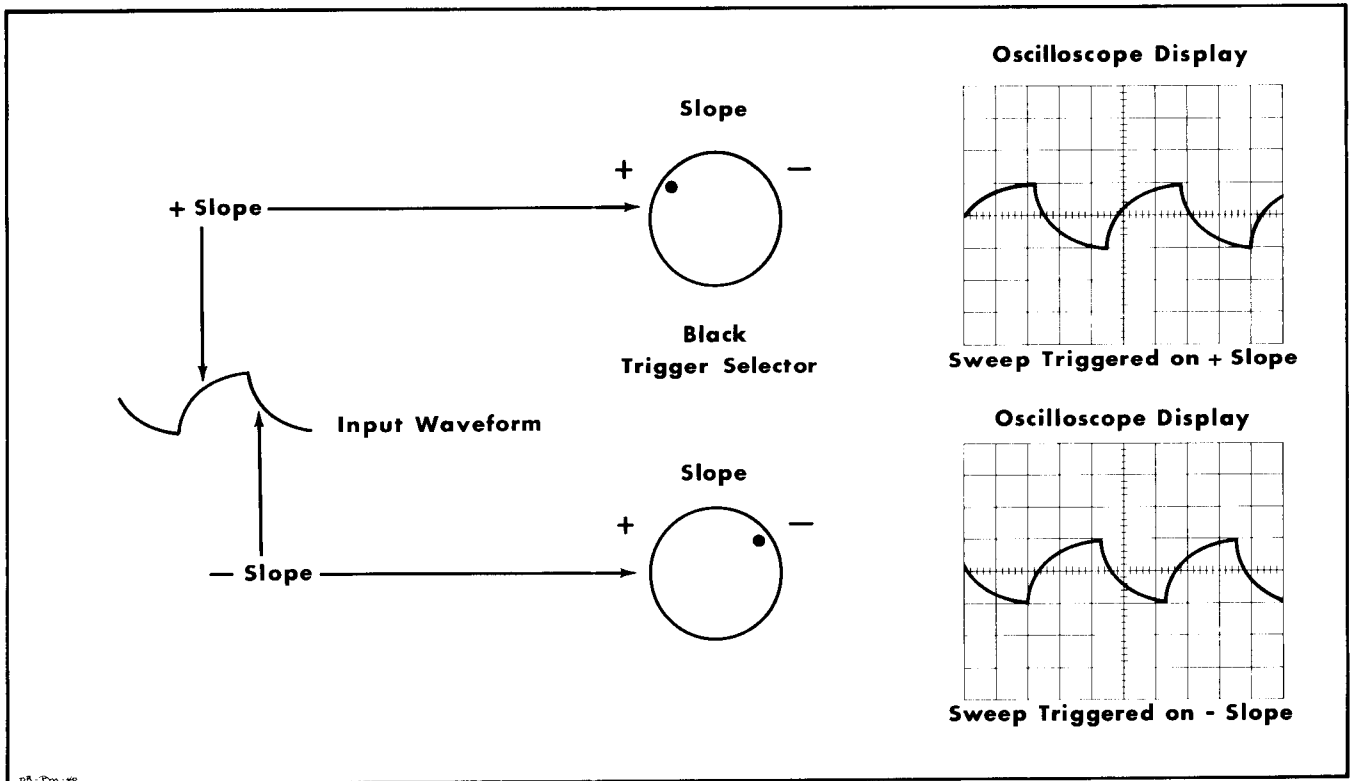


Fig. 3-4. Effects on the oscilloscope display produced by + and - settings of the TRIGGER SELECTOR (black knob).

Selecting the Triggering Mode

After selecting the triggering source and triggering slope, it is next necessary to select the triggering mode which will allow you to obtain the desired display. Four triggering modes are available. In the Type RM16-RS16, they are DC, AC, AUTOMATIC and HIGH FREQUENCY SYNC.

Each of the triggering modes is designed to provide stable triggering from a certain type of waveform. For most applications however, several of the triggering modes will work equally well. For applications of this type, the triggering mode used is purely a matter of choice. The primary thing to consider in choosing the triggering mode is whether or not it allows you to obtain the display you want.

To determine the best mode of operation for a particular application, it is usually best to try each triggering mode in the application. The AUTOMATIC mode should be tried first since this triggering mode provides stable triggering in most applications without the necessity of setting the STABILITY or TRIGGERING LEVEL controls. If the AUTOMATIC mode does not provide the desired display, it will then be necessary for you to try one or more of the other triggering modes.

AUTOMATIC Triggering Mode

The AUTOMATIC mode is most frequently used because of its ease of operation. This mode is useful in obtaining

stable triggering from waveforms with frequencies of from approximately 60 cycles to 2 megacycles. The principal advantage of this type of operation is that it is not necessary to adjust either the STABILITY or TRIGGERING LEVEL controls to obtain a stable display. This permits you to observe a large number of waveforms with different shapes and amplitudes without adjusting any of the triggering controls. In the absence of a triggering signal, the sweep continues to run to provide a convenient reference trace on the oscilloscope screen.

The AUTOMATIC triggering mode is selected by placing the TRIGGER SELECTOR (red knob) switch in the AUTO. position. The triggering source and slope is then selected and the input signal is applied to the oscilloscope. No other control adjustments are required. Since the TRIGGERING LEVEL control has no effect on the display when automatic triggering is used, it is impossible to select the point on the triggering waveform where the sweep is triggered. Each sweep is instead triggered at the average voltage point of the waveform.

DC Triggering Mode

In the DC mode, the sweep can be triggered from periodic signals in the range from dc to 5 mc. This mode is especially useful with trigger signals that change slowly, and is also useful when it is desired to trigger at a certain point (voltage level) on a waveform with respect to ground.

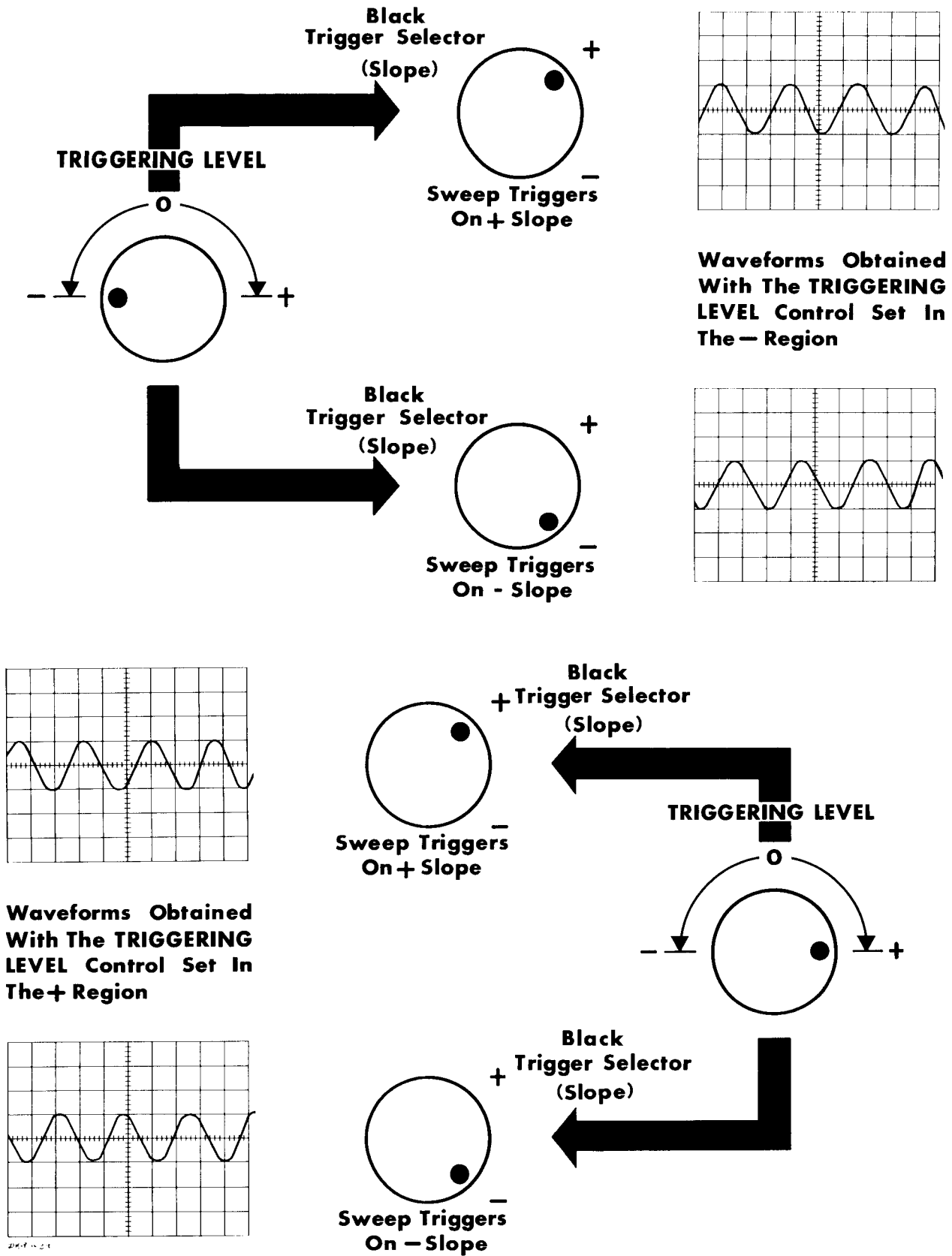


Fig. 3-5. Effects on the oscilloscope display produced by + and - settings of the TRIGGERING LEVEL control. When the TRIGGERING LEVEL control is set in the + region, the sweep is triggered on the upper portion of the input waveform; when it is set in the - region, the sweep is triggered on the lower portion of the input waveform. The TRIGGER SLOPE control determines whether the sweep is triggered on the rising portion or the falling portion of the input waveform.

Another application of the DC triggering mode is to attain a stable display of a random-pulse train. The average voltage of this type of signal is dependent upon the time duration and amplitude of each pulse and the time lapse between successive pulses. Since these are variable quantities in a random-pulse train, the average voltage will also vary. This is likely to cause unstable triggering in the AC mode. In the DC mode, however, the circuits are sensitive to the instantaneous voltage only. Changes in the average voltage do not alter the operation of the circuits. As a result, the TRIGGERING LEVEL control can be adjusted to initiate a sweep whenever a pulse reaches the desired voltage.

AC Triggering Mode

Selection of the AC triggering mode is made by placing the TRIGGER SELECTOR (red knob) switch in the AC position. This mode provides useful triggering in the frequency range of approximately 15 cycles to 5 mc. These frequency limits vary slightly depending upon the shapes and amplitude of the triggering waveform. In the AC mode, triggering is unaffected by the dc components of the triggering signal or by the vertical positioning of the trace. The triggering level can be selected to provide the desired display using the STABILITY and TRIGGERING LEVEL controls. These two controls are set as described for the DC mode.

HF SYNC Triggering Mode

The High Frequency Synchronization Mode permits stable displays of waveforms with frequencies higher than approximately 5 mc. Stability of the display is adjusted with the STABILITY control. The TRIGGERING LEVEL control is not used. To use the High Frequency Synchronization Mode, place the TRIGGER SELECTOR (red knob) switch in the HF SYNC position. Turn the STABILITY control clockwise until a trace appears. Continue to adjust the STABILITY control until a stable display is obtained.

Although the synchronization signal source is selected with the TRIGGER SELECTOR (black knob) control, the slope cannot be selected. Also you cannot use the PRESET position of the STABILITY control in this mode.

Free-Running Sweep Operation

In the usual oscilloscope application, the sweep is triggered or synchronized by the input waveform. However, in some applications it may be more desirable to reverse the process and initiate the input waveform through use of a periodically recurrent waveform from the oscilloscope. In this type of application the sweep is caused to free-run and an output from either the + GATE OUT or SAWTOOTH OUT connectors is used to trigger or synchronize the input waveform. (See Fig. 3-6).

The sweep can be made to free run with any setting of the TRIGGER SELECTOR (black knob) switch by turning the STABILITY control fully clockwise. In all positions of the TRIGGER SELECTOR (red knob) switch except AUTOMATIC the number of sweeps per second is determined by the setting of the TIME/DIV. controls. In the AUTOMATIC posi-

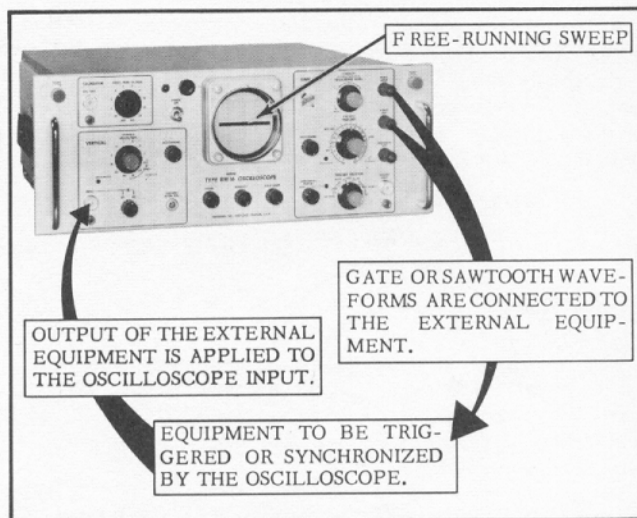


Fig. 3-6. Using the Gate or Sawtooth output waveforms to synchronize or trigger external equipment.

tion, the sweep repetition rate remains at approximately 50 sweeps per second regardless of the setting of the TIME/DIV. control.

In addition to providing the means of controlling an applied waveform, a free-running sweep also provides a convenient reference trace on the oscilloscope screen without requiring an input signal. This trace can then be used to position the sweep or to establish a voltage reference line.

Sweep Magnification

To magnify a particular part of a display, position that portion of the display with the HORIZONTAL POSITION control so that it appears near the center of the graticule. Then turn the DISPLAY control to MAG. position. That part of the display which formerly occupied the middle section of the graticule will now be expanded. The apparent time calibration of the X (sweep) axis will be equal to the setting of the TIME/DIV. control divided by 5.

External Horizontal Deflection

In some instances it may be necessary to deflect the beam horizontally by means of an externally derived waveform, rather than by means of the internal sweep. To accomplish this, set the DISPLAY switch to EXT. and connect the source of the waveform to the HORIZ. IN connector. Set the VARIABLE for the desired amount of horizontal deflection.

Output Waveforms

The SAWTOOTH OUT waveform starts at about ground and rises linearly to a peak amplitude of about 150 volts.

The start and duration of the rising part of the sawtooth coincides with the start and duration of the horizontal sweep on the crt. The rate at which the sawtooth rises is determined by the setting of the TIME/DIV. control.

A positive rectangular waveform is available at the + GATE OUT connector. This waveform starts at ground and rises to about 20 volts. The starting time and duration of each pulse coincides with the starting time and duration of the positive-going part of the sawtooth available at the SAWTOOTH OUT connector.

AUXILIARY FUNCTIONS

Calibrator

The calibrator provides a convenient source of square waves of known amplitude at a frequency of approximately 1 kc. The square waves are used primarily to adjust probes and to verify the calibration of the vertical deflection system of the oscilloscope.

Calibrator square waves are adjustable from 0.05 volt peak to peak, to 100 volts peak to peak, in 11 steps. The VOLTS peak-to-peak knob controls the full range of 11 outputs, ranging in steps from 0.05 volt to 100 volts.

The peak-to-peak calibrator voltage is within 3 percent of the CALIBRATOR switch setting when the output is connected to a high impedance load.

Intensity Modulation

The crt display of the Type RM16-RS16 Oscilloscope can be intensity modulated by an external signal to display additional information. This is done by disconnecting the grounding strap from the CRT CATHODE connector at the rear of the instrument and connecting the external signal to this terminal.

When you wish to make very accurate time measurements from the crt display, you can intensity modulate the beam with time markers presented on the screen. A positive signal of approximately 25 volts is required to cut off the beam from normal intensity.

Direct Connection to CRT Deflection Plates

The vertical deflection plate pins are located on the side of the crt neck. The horizontal deflection plate pins are located on the top. In some applications, it is advantageous to connect a signal directly to either one, or both sets of

these deflection plate pins — bypassing the internal oscilloscope amplifiers. Maintain the average dc voltage on the deflection plates between +150 and 200 volts. If the voltage is not within this range, the crt display becomes defocused.

For dc coupling, it is necessary to supply positioning voltages from the signal source. These voltages should fall within the +150 to +300-volt range. When dc coupling the signal to the deflection plates, you should tape the ends of the wires you have removed from the crt pins. This prevents shorting to the chassis and damage to the amplifier. The external signal source is then connected to the crt.

In many applications, it is advantageous to use ac coupling. This is necessary for those signals which cannot be made to have the right dc voltage. Positioning is controlled through the vertical amplifier with its normal positioning control.

The usual direct deflection application is to make use of the ultimate rise-time capability of the crt in the oscilloscope. This requires careful connection to the deflection plates from coaxial cables through damping resistors, and physically small coupling capacitors. These leads should be set close to the crt pins, should be short, and should be rigid. Tie down the coax so that a pull on the coax will not break the crt.

Referring to Fig. 3-7, connect the damping resistor to the coax center conductor. Connect the other damping resistor to the coax outer conductor. The size of the damping resistor will depend upon the coaxial line impedance, the leads lengths, and the coupling capacitor type. The best value is found by passing a fast-rise signal through the coax and adjusting the resistance until the display is just short of overshoot. A good starting value is 68 Ω for a 52- Ω coaxial cable. No damping resistors are needed for cables with impedance above approximately 200 Ω .

In order to realize the desired amount of deflection sensitivity in the Type T316 Cathode-Ray Tube, the deflection plates have been placed as close as possible to the path of the electron beam. As a result, a small amount of current will flow in the deflection plate circuits. This current flow varies nonlinearly with the beam position, increasing rapidly in that plate toward which the beam is positioned. In the Type RM16-RS16 Oscilloscope, the effects of these currents are negligible. However, if the resistance is increased, these currents can cause objectionable voltage drops. For values of resistance greater than 110K for the leak resistor, you may experience some difficulty from current collected on the deflection plates. Some defocusing or distortion may be evident. These effects are most noticeable when the display is positioned close to the limits of the crt graticule.

The low frequency response required will determine the size of the coupling capacitor needed. The formula for the size of the coupling capacitor is $C=1/(2\pi RF)$, where R is the leak resistor, and F is the desired low-frequency cutoff. For example, to find the coupling capacitor needed when the low frequency cutoff is 1600 cps and the leak resistor is 100 K, take the reciprocal of $2\pi RF$. The coupling capacitor is 0.001 μf .

The coupling capacitor should be spaced about 1/4" to 3/8" from the damping resistor, and should be of the ceramic disc type, or equivalent, to preserve the fast-rise capability of the Type T316 crt.

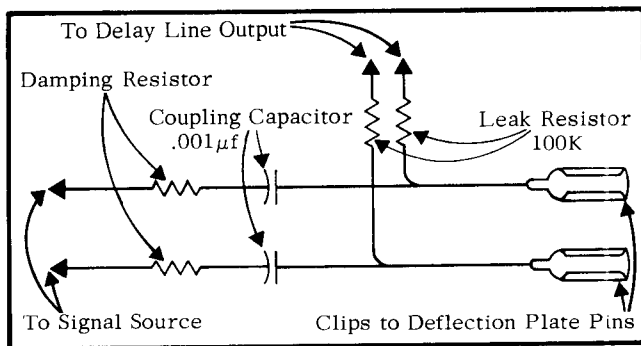


Fig. 3-7. Connecting to the crt deflection plates by AC coupling.

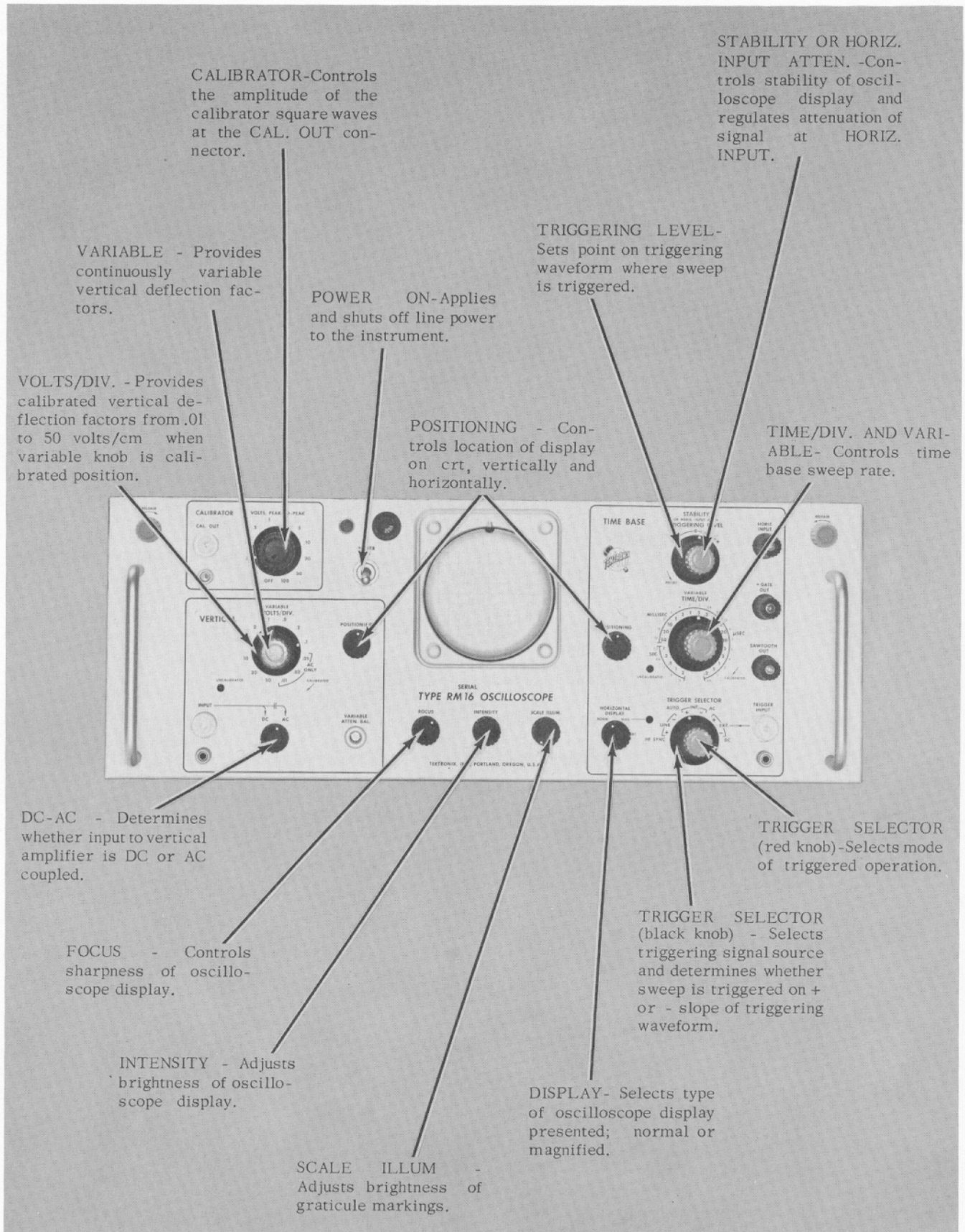
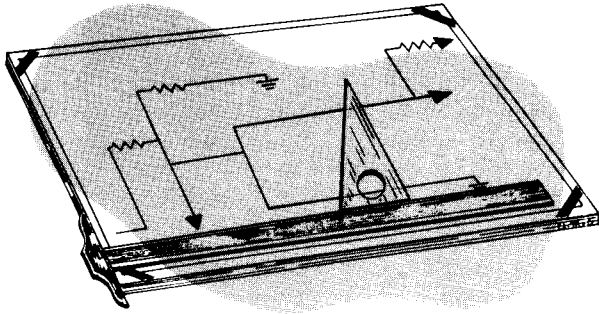


Fig. 3-8. Functions of the Oscilloscope front-panel controls.

CIRCUIT
DESCRIPTION

VERTICAL-DEFLECTION SYSTEM

Preamplifier

The Vertical Amplifier in the Type RM16-RS16 Oscilloscope requires an input signal voltage of 0.1 v, peak-to-peak, to produce one major division of calibrated deflection on the crt. In order to satisfy this condition, and to make the instrument applicable to a wide range of input voltages, a calibrated attenuation network and a Preamplifier are incorporated into the vertical-deflection system.

When the VOLTS/DIV. switch (shown on the Preamplifier circuit diagram) is in the 0.1 position, the signal is coupled through the X1 network—in which the attenuation is negligible—to the main Vertical Amplifier. The X1 network compensates for lead inductance in the input circuit. For settings of the VOLTS/DIV. switch between 0.2 and 50, the Attenuators are switched into the circuit, either singly or in tandem pairs, so that the input voltage to the main Vertical Amplifier is always 0.1 v for each division of crt deflection when the VARIABLE knob is in the CALIBRATED position.

The Attenuators are frequency-compensated voltage dividers. For low-frequency signals they are resistive dividers, and the degree of attenuation is proportional to the ratio of the resistances. The reason for this is that the impedance of the capacitors, at low frequencies, is so high that their effect in the circuit is negligible. As the frequency of the input signals increases, however, the impedance of the capacitances decreases and their effect in the circuit becomes pronounced. For high-frequency signals the impedance of the capacitances is so low, compared to the resistance of the circuit, that the Attenuators become capacitive voltage dividers. For these frequencies, the degree of attenuation is inversely proportional to the ratio of the capacitances.

The variable capacitor at the input to each Attenuator (except for the X1 network) provides a means for adjusting the input capacity of the Attenuator to equal that of the main Vertical Amplifier. Similarly, C441 provides a method of adjusting the input capacity of the Preamplifier. In this manner the probe, connected to the INPUT connector, works into the same input capacity regardless of the setting of the VOLTS/DIV. switch. In the "straight through" (X1) position, the probe works directly into the main Vertical Amplifier, so no adjustment is required for this network.

By means of the AC-DC switch (SW401), the signal may be either ac-coupled or dc-coupled to the Vertical Amplifier. In the AC position, the signal is coupled through C401; in

the DC position, C401 is bypassed with a direct connection. When the VOLTS/DIV. switch is in any of the three positions marked AC ONLY, the AC-DC switch is electrically removed from the circuit and the signal is coupled through C401.

When working with very small voltages, greater sensitivity than that furnished by the main Vertical Amplifier may be required or desired. To provide this, the Preamplifier can be switched into the circuit by turning the VOLTS/DIV. switch to any of the positions marked AC ONLY. The Preamplifier is used in conjunction with either the X1, the X2 or the X5 Attenuator, depending on the setting of the switch, and provides three additional ranges of vertical sensitivity.

The Preamplifier, which has a calibrated signal gain of 10, consists of a single amplifier stage V454, a cathode follower output stage V463B, and a voltage-setting cathode follower V463A. The Voltage-Setting C.F. provides a +175-volt source for the plate and screen circuits of V454, and for the plate of V463B.

The gain of the Preamplifier is regulated by the setting of the PREAMP GAIN ADJ. R454. This control regulates the gain of V454 over an approximate range of 7 to 17 by varying the degeneration in its cathode circuit. For calibrated operation, however, this control must be set so that the gain is exactly 10. (See Recalibration Procedure.)

High-frequency compensation for the Preamplifier is provided by a series-shunt peaking coil L450, and by series peaking coils L457 and L477. L450 and L477 provide a means for adjusting the circuit for optimum high-frequency response. R457 is included in the grid circuit of V463B to prevent parasitic oscillations that might occur.

Low-frequency accentuation for the Preamplifier is provided mainly by C446A in the plate circuit of V454. Together with R446 and R450, this circuit forms a low-frequency "boost" network to compensate for the attenuation in the cathode circuit, the screen circuit, and the rc coupling network between the Output C.F. and the Vertical Amplifier. The amount of compensation added to the circuit is, of course, fixed. The amount of attenuation, however, can be varied over a range with the L.F. ADJ. control R475. By adjusting the amount of attenuation to equal that of the compensation, low-frequency distortion in the amplifier is eliminated.

There are two protective devices incorporated in the design of the Preamplifier. One is the diode V442, which protects the electrolytic capacitor C454 from inverse voltage in the event the cathode circuit of V454 should go negative. This would occur, for example, if V454 were

Circuit Description — Type RM/RS16

removed from its socket when the power was turned on. The other protective device is the neon lamp B463. This prevents the potential between the grid and cathode of V463B from exceeding the break-down rating of the tube in the interval from the time the instrument is first turned on and the time that V463 is warmed up to its operating condition.

Vertical Amplifier

The Vertical Amplifier consists of two stages of direct-coupled, push-pull amplification, each preceded by a cathode follower. V483 is the signal-input cathode follower when the VOLTS/DIV. switch is in any position other than those marked AC ONLY (in other words, when the Pre-amplifier is not connected into the circuit). R484, bypassed by C484, prevents the grid from drawing excessive current in the event the stage should be overdriven when DC input coupling is used. R487 is a suppressor for parasitic oscillations.

The Input Amplifier stage, composed of V514 and V524, is a cathode-coupled phase inverter. That is, it converts a single-ended input signal to a push-pull output signal. The VARIABLE control, located between the two cathodes, regulates the gain of the stage over a $2\frac{1}{2}$ to 1 range by varying the amount of degeneration in the cathode circuit.

When the Pre-amplifier is not connected into the circuit, as mentioned previously, the Input Amplifier stage receives its signal voltage from V483. The opposite cathode follower, V503, couples a fixed dc voltage from the VARIABLE ATTEN. BAL. control to the grid of V524. When this control is properly set, the cathode voltages at the two input Amplifier tubes will be equal and no change in vertical trace positioning will occur as a result of any change in the setting of the VARIABLE gain control.

When the Pre-amplifier is connected into the circuit, by turning the VOLTS/DIV. switch to any of the positions marked AC ONLY, V503 becomes the signal-input cathode follower. This action removes V483 from the signal path by returning its grid circuit to ac ground through C482. The switching of Input C.F. tubes compensates for the 180-degree shift of signal polarity introduced by the Pre-amplifier. With this arrangement, positive-going portions of the input signal always produce an upward deflection of the crt beam. Thus, the Input Amplifier may receive its signal from either of the input cathode followers.

Vertical positioning of the crt beam is accomplished through the action of the VERTICAL POSITIONING control R531. This is a dual control, connected between +300 volts and ground. It is connected electrically so that as the voltage between ground and the movable arm in one increases, the voltage between ground and the movable arm in the other decreases. The voltage at the arm of each control can vary a maximum of 300 volts. The 300-volt variation is attenuated by a factor of 82 to 1.8 (the ratio of R530 to R513 on one side, and the ratio of R532 to R527 on the other) so that the maximum variation in voltage at the grids of V533 is about 6.5 volts. This change in grid voltage at the Driver C.F. stage will be reflected as a change in vertical deflection-plate voltage at the crt, since direct coupling is used between these two points.

The Input Amplifier stage, as well as all succeeding stages, contains high-frequency peaking coils to improve the high-frequency response of the amplifier. However, since direct-coupling is employed throughout, there is no low-frequency loss in the circuit and no low-frequency compensation is required.

The Input Amplifier is coupled to the Output Amplifier by the Driver C.F. V533. The GAIN ADJ. control, R544, sets the gain of the Output Amplifier to correspond with the front panel calibration when the VARIABLE control is turned full right to the CALIBRATED position.

Delay Line

The output signal from the Vertical Amplifier is coupled through the balance Delay Line to the vertical-deflection plates of the crt. The function of the Delay Line is to retard the arrival of the waveform at the deflection plates until the crt has been unblanked and the horizontal sweep has been started. This delay insures that the very "front" of fast vertical signals can be observed. Because of the delay time and certain other characteristics, irregularities are introduced in the crt display when the delay line is misadjusted. And it is through analyzing the shape and position of these irregularities that we are able to effect the necessary adjustments.

So that you will better understand the adjustment procedure (described in the Recalibration Procedure) we have outlined in the paragraphs that follow a brief description of the delay line operation and how it affects the crt display.

Consider the sequence of events when a step function is applied to the delay-line input terminals (waveform A in Fig. 4-1). We'll assume for the moment that the delay line is in good adjustment to the crt deflection plates.

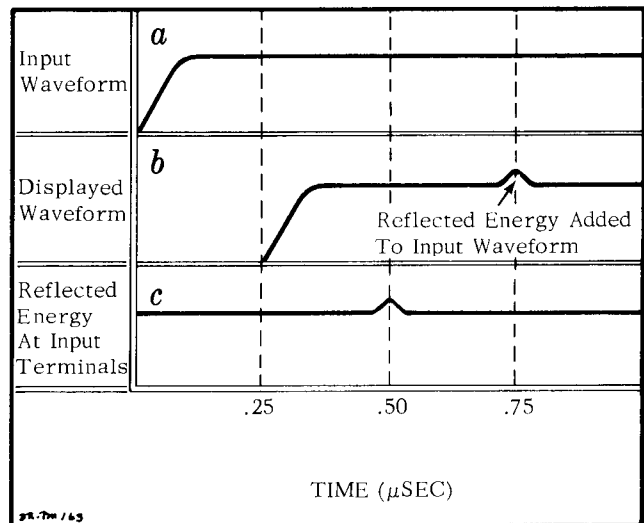


Fig. 4-1. Time relationship of delay-line signals. The reflected energy is caused initially by a slight misadjustment in the delay-line termination network. As a result, the irregularity in the displayed waveform is called the Termination Bump.

0.25 microsecond after the application of the step function, the leading edge of the waveform will arrive at the crt deflection plates. The crt end of the delay line is terminated, and in normal operation the signal energy would be dissipated in the terminating resistors. However, the misadjustment of the two capacitors creates a slight impedance mismatch, resulting in the reflection of a small amount of signal energy. This reflected energy travels down the delay line toward the input terminals, while at the same time the original step function is being traced on the crt screen.

The reflected energy reaches the delay-line input terminals in 0.25 microsecond (the delay time of the delay line) and is once again reflected since there are no terminating resistors to absorb the energy (waveform C in Fig. 4-1). As a result, the reflected energy is present at the crt deflection plates 0.5 microsecond (twice the delay-line delay time) after it was initially reflected. This energy is manifest in the crt display as an irregularity occurring 0.5 microsecond after the leading edge of the step function (waveform B in Fig. 4-1). Because the reflected energy is the result of a misadjustment in the delay-line terminating network, we call the irregularity on the displayed waveform the Termination Bump. For ease of discussion in the following paragraphs, we shall refer to the lapsed time from the leading edge to Termination Bump as time T.

Consider next the effect of a misadjustment located $\frac{1}{4}$ of the delay-line length from the input terminals. Because the velocity of propagation is uniform over the length of the delay line, the step function will reach the point of misadjustment $\frac{1}{4}$ of the delay-line delay time after application. This is equivalent to $\frac{1}{8} T$. At this point, a small amount of energy is reflected back to the input terminals due to the impedance mismatch caused by the misadjustment. The reflected energy will reach the input terminals $\frac{1}{8} T$ after being reflected or $\frac{1}{4} T$ after application of the step-function. This means, then, that the reflected energy will reach the crt deflection plates $\frac{1}{4} T$ after the leading edge of the step function and will result in a bump located $\frac{1}{4}$ of the distance from the leading edge to the Termination Bump on the displayed waveform (see Fig. 4-2).

If the misadjustment of the previous paragraph were located elsewhere on the delay-line, it could be shown that its relative position between input terminals and termination network would correspond to the position of the resulting bump on the displayed waveform. It is this characteristic of the delay-line that allows us to locate and remedy a misadjustment.

Since the Delay Line is the load for the Vertical Output stage, it is elevated above ground by an amount equal to the plate voltage of the Output Amplifier stage. R593 and R594, in addition to terminating the line, are the plate load resistors for the output stage.

When internal triggering of the Time Base Generator is desired (black TRIGGER SELECTOR knob in either the + or -INT. position), a "sample" of the vertical output signal is used to develop the triggering pulse. The "sample" is obtained from a tap on a coil at the input to the Delay Line. This point provides a signal suitable for good triggering action, yet presents minimum loading to the Output Stage and the Delay Line. The "triggering" signal is coupled to the Time-Base Trigger circuit by the Trigger C.F. V563, shown on the Vertical Amplifier circuit diagram.

HORIZONTAL-DEFLECTION SYSTEM

Time-Base Trigger

The function of the Time-Base Trigger circuitry is to develop a negative-going triggering pulse to trigger the Time-Base Generator in the proper time sequence. The signal from which the negative-going triggering pulse is produced may emanate from one of three sources, as determined by the setting of the TRIGGER SELECTOR switch (black knob) SW20. When the switch is in the + or -EXT. position, an external signal is employed in the development of the triggering pulse. When the switch is in the + or -INT. position, the vertical signal itself is used to develop the triggering pulse. This was explained at the conclusion

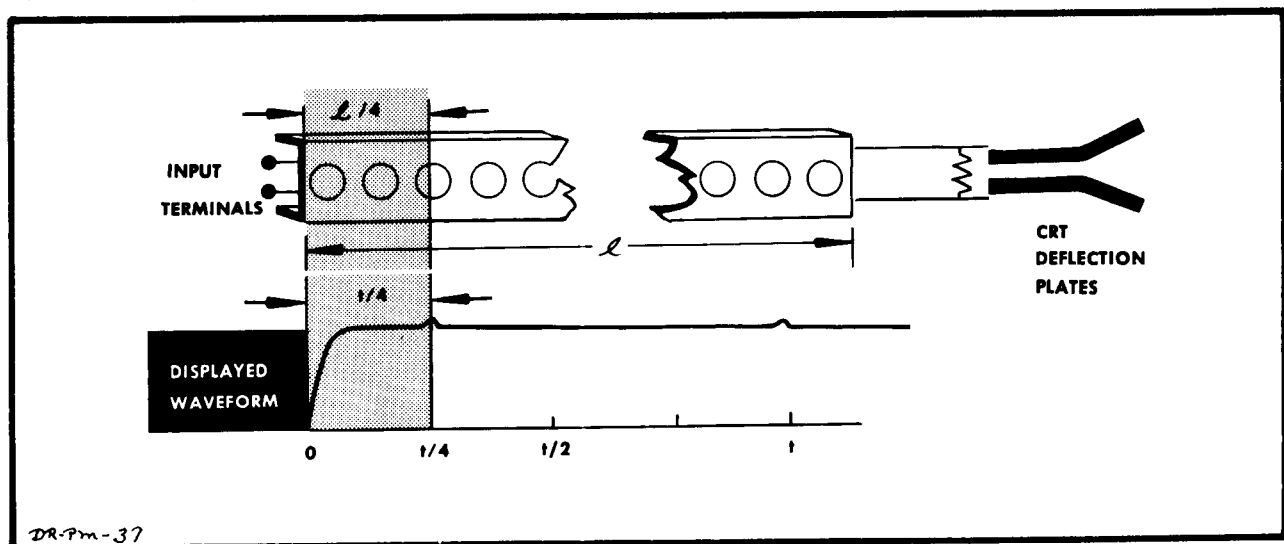


Fig. 4-2. Relationship of displayed waveform irregularities to delay-line misadjustment. The relative position of an irregularity between the start of the display and the Termination Bump corresponds to the relative position of the delay-line misadjustment between the input terminals and the terminating resistors.

Circuit Description — Type RM/R516

of the previous section. In the + or —LINE position of the switch, a voltage at the power line frequency is used to develop the triggering pulse.

In addition to selecting the source of the triggering voltage, switch SW20 (TRIGGER SELECTOR, black knob) also arranges the input circuit of the Trigger-Input Amplifier so that a negative-going pulse is always produced at the plate of V14B regardless of whether the switch is in a + or in a — position.

The Trigger-Input Amplifier V14 is a polarity-inverting, cathode-coupled amplifier. The output is always taken from the plate of V14B, but the grid of either stage may be connected to the input-signal source. When the black TRIGGER SELECTOR knob is in the — position (EXT., INT. or LINE range), the grid of V14A is connected to the input-signal source. The grid of V14B is connected to a dc bias source, adjustable by means of the TRIGGERING LEVEL control. This bias voltage establishes the quiescent voltage at the plate of V14B. When the TRIGGER SELECTOR knob is in the + position (for any of the three ranges), the grid of V14B is connected to the input-signal source and V14A is connected to the bias source.

The voltage at the grid of V14A and the voltage at the plate of V14B are in phase with each other; that is, they both go through ac zero in the same direction at the same time. Therefore, when the switch is in any of the — positions (the signal applied to the grid of V14A), the voltage at the plate of V14B is in phase with the input-signal voltage. By this arrangement, V14A acts as a cathode follower, having a gain of approximately unity, and the signal voltage developed across the cathode resistance becomes the input signal to V14B.

When the switch is moved to any of the + positions, the grid of V14B is connected to the input-signal source. With this configuration, the voltage at the plate of V14B will be 180 degrees out of phase with the input-signal voltage. Thus, depending on the setting of the switch (+ or —), V14B plate signal swing may be in phase, or 180 degrees out of phase, with the input-signal voltage.

The Schmitt Trigger consists of V35, A and B, connected as a dc-coupled multivibrator. In the quiescent state, i.e., ready to receive a signal, V35A is conducting and its plate voltage is down. This holds the grid of V35B below cutoff, since the two circuits are dc-coupled by the voltage divider R35, R36 and R37. With V35B in a state of cutoff, its plate voltage is up; hence no output is being developed.

A negative-going signal is required at the grid of V35A to drive the Schmitt Trigger into its other state in which a triggering pulse can be produced. However, the signal coupled to the grid of V35A is a component of the vertical input signal, and therefore contains both negative- and positive-going voltages.

The negative-going portion will drive the grid of V35A in the negative direction, and the cathodes of both tubes will follow the grid down. At the same time V35A plate voltage starts rising, which causes V35B grid voltage to rise. With V35B grid going up and its cathode going down, V35B starts conducting. The cathodes will now follow the grid of V35B; hence the cathode voltages start going up. With the grid of V35A down and its cathode up, V35A

cuts off. As V35B conducts its plate voltage drops, creating a negative step at the output. This transition occurs very rapidly, regardless of how slowly V35A grid signal falls.

When the signal at the grid of V35A starts in the positive direction, just the opposite will occur. That is, V35A will start conducting again, V35B will be cutoff, and the circuit will revert to its original state with V35B plate voltage up. This completes the negative step voltage output from the Schmitt Trigger circuit.

The operation of the Schmitt Trigger circuit is exactly the same for both + and — positions of the black TRIGGER SELECTOR knob. However, since there is a reversal in signal polarity—between these two settings, triggering will occur at different points with respect to the signal being observed. For example, when the switch is in the + position, triggering will occur during the positive slope of the waveform being observed. That is, the start of the trace will occur when the waveform is going in the positive direction. Conversely, when the switch is in the — position, the trace will start when the waveform is going in the negative direction.

The TRIGGER SELECTOR switch with the red knob, SW10, selects the type, or mode, of triggering. In the DC position, the vertical-input signal is dc-coupled from the Trigger C.F. to the Trigger-Input Amplifier, which in turn is dc-coupled to the V35A grid of the Schmitt Trigger. R22 isolates V14B plate circuit from the capacitance of the switch; R24 isolates V35A grid circuit from the switch.

In the AC position the switch capacitor C7 is connected into the input circuit; this, of course, removes any dc component of the input waveform. The Trigger-Input Amplifier, however, is still dc-coupled to the Schmitt Trigger stage.

In the AUTO. position of the switch, the Schmitt Trigger is converted from a bistable configuration to a recurrent configuration. This is accomplished by coupling the grid circuit of V35B to the grid circuit of V35A via R31. In addition, the dc-coupling between the Trigger-Input Amplifier and the Schmitt Trigger is removed when the switch is in this position.

The addition of R31 to the circuit causes the Schmitt Trigger to free-run in the absence of a vertical-input signal. For example assume the grid of V35A is just being driven into cutoff. The voltage at the plate of V35A starts to rise, carrying with it the grid voltage of V35B. The grid of V35B is coupled to the grid of V35A through R31 and R24. This causes the grid voltage of V35A to start rising. The time constant of the rc network, R31, R24 and C23 is such that it takes about 0.01 second for the grid voltage of V35A to rise exponentially from its starting point, below cutoff, to a value where plate current can flow.

As V35A starts to conduct, its plate voltage drops, which in turn lowers the voltage at the grid of V35B. The voltage at the grid of V35A then starts dropping exponentially toward cutoff. When the grid of V35A reaches cutoff again, the circuit has completed one cycle of its approximately 50-cycle triangular waveform.

The range of voltage at the grid of V35A, between V35A cutoff and V35B cutoff, is about 3 volts when the circuit is used in the AUTO. mode (that is increased from about 0.5 volt, for the AC or DC mode, by the addition of R31 to the circuit). Since V35A grid is never more than 3 volts

from cutoff a triggering signal with a peak-to-peak amplitude of 3 volts or more can drive the grid to cutoff at any time and produce a trigger output. Smaller signals can also produce a trigger output, but only if they occur at a time when the sum of the signal voltage and the triangular grid voltage is sufficient to drive the grid of V35A to cut off. However, the duty cycle of operation is somewhat reduced when smaller triggering signals are being received.

With the circuit configuration just described, the horizontal sweep can be triggered with repetitive signals, over a wide range of frequencies, without readjustment. When not receiving triggers, the sweep continues at approximately a 50-cycle rate. Thus, in the absence of any vertical signal, the sweep generates a base line which indicates that the oscilloscope is adjusted to display any signal that might be connected to the vertical-deflection system.

When switch SW10 is in the HF SYNC position, the Time-Base Trigger circuits are bypassed and the input "triggering" signal is applied directly to the Time-Base Generator. This signal now acts as a synchronizing voltage, superimposed on the holdoff waveform (to be discussed in the section that follows). This synchronizes the Time-Base Generator at a sub-multiple of the triggering-signal frequency. This mode is useful for input signals in the range from 5 megacycles to 15 megacycles.

Time-Base Generator

The Time-Base Trigger produces a negative-going waveform which is coupled to the Time-Base Generator. This waveform is differentiated in the grid circuit of V135A to produce a sharp negative-going triggering pulse to trigger the Time-Base Generator in the proper time sequence. Positive-going pulses are also produced in the differentiation process, but they are not used in the operation of the Time-Base Generator.

The Time-Base Generator consists of three main circuits: a Bistable Multivibrator, a Miller Runup Circuit, and a Hold-Off Circuit. The Bistable Multivibrator consists of V135A, V145B and the cathode follower V135B. The essential components in the Miller Runup circuit are the Miller Tube V161B, the Runup C.F. V161A, the On-Off Diodes V152, the Timing Capacitor C160 and the Timing Resistor R160. The Hold-Off Circuit consists of the Hold-Off Driver V183A, the Hold-Off C.F. V183B, the Hold-Off capacitor C180 and the Hold-Off Resistor R181.

In the quiescent state, V135A is conducting and its plate voltage is down. This cuts off V145B through the cathode follower V135B, the voltage divider R141-R142, and the cathode resistor R143.

The quiescent state of the Miller Tube is determined by a dc network between plate and grid. This network consists of the neon lamp B167, the Runup C.F. V161A, and the On-Off Diode V152. The purpose of the dc network is to establish a voltage at the plate of the Miller Tube of such a value that the tube will operate above the knee, and thus over the linear region, of its characteristic curve.

In the quiescent state, the grid of the Miller Tube rests at about -2 volts. There is about a $1\frac{1}{2}$ -volt drop in the Runup On-Off Diodes, about 18.5 volts bias on the Runup C.F., and about a 55-volt drop across the neon lamp. This

establishes a quiescent voltage of about $+33$ volts at the plate of the Miller Tube.

If the STABILITY control is now advanced, making the grid of V135A more negative, a point will be reached where a negative-going triggering pulse from the Schmitt Trigger stage will cause the Bistable Multivibrator to switch rapidly to its other state. That is, V135A will be cutoff and V145B will start to conduct. As V145B conducts, its plate voltage, and the voltage at the diode plates, drops. As a result the diodes are cutoff, which permits the grid of the Miller Tube and the cathode of the Runup C.F. to seek their own voltages. Any spiking that may occur, during this transition period, is attenuated by the R150-C150 network.

As there is no diode conduction at this time, the grid of the Miller Tube starts negative, since it is connected to -150 volts through the Timing Resistor R160. The plate of the Miller Tube then starts positive, carrying with it the grid and cathode of the cathode follower V161A. This raises the voltage at the top of the Timing Capacitor C160, which in turn raises the voltage at the grid of the Miller Tube and prevents it from going negative. The gain of the Miller Tube, as a Class A amplifier, is approximately 200. This means that a 150-volt change in plate voltage will maintain the grid voltage constant within three-quarters of a volt.

The Timing Capacitor C160 starts charging with current from the -150 -volt bus. Since the voltage at the grid of the Miller Tube remains essentially constant, the voltage drop across the Timing Resistor, and hence the charging current through it, remains essentially constant. Thus, C160 charges linearly, and the voltage at the cathode of the Runup C.F. V161A rises linearly. Any departure from a linear rise in the voltage at this point will produce a change in the voltage at the grid of the Miller Tube in such a direction as to correct for the error.

The linear rise of voltage at the cathode of V161A is used as the sweep time base. Timing Capacitor C160 and Timing Resistor R160 are selected by means of the TIME/DIV. switch (SW160). The Timing Resistor determines the current that charges the Timing Capacitor. By means of the TIME/DIV. switch, both the size of the capacitor being charged and the current charging the capacitor can be selected to cover a wide range of sawtooth slopes (sweep rates). For high-rate sweeps the bootstrap capacitor C165 helps supply current to charge the stray capacitance at the plate of the Miller Tube, which permits the plate voltage to rise at the required rate.

If uncalibrated sweep rates are desired, the VARIABLE TIME/DIV. (red knob) control may be turned away from the CALIBRATED position. This control, R162, varies the sweep rate over a $2\frac{1}{2}$ to 1 range. Switch SW162 is ganged with the VARIABLE control in such a way that the UNCALIBRATED light comes on when the control is turned away from the CALIBRATED position.

As explained previously, the sweep rate (the rate of which the spot moves across the face of the crt) is determined by the timing circuit C160 and R160. The length of the sweep (the distance the spot moves across the face of the crt), however, is determined by the setting of the SWEEP LENGTH control R176. As the sweep voltage rises linearly at the cathode of V161A, there will be a linear rise in volt-

Circuit Description — Type RM/RS16

age at the arm of the SWEEP LENGTH control R176. This will increase the voltage at the grid and cathode of V183A, and at the grid and cathode of V183B. As the voltage at the cathode of V183B rises, the voltage at the grid of V135A will rise. When the voltage at this point is sufficient to bring V135A out of cutoff, the multivibrator circuit will rapidly revert to its original state with V135A conducting and V145B cutoff. The voltage at the plate of V145B rises, carrying with it the voltage at the diode plate V152B. The diode then conducts and provides a discharge path for C160 through R147 and R148, and through the resistance in the cathode circuit of V161A. The plate voltage of the Miller Tube now falls linearly, under feedback conditions essentially the same as when it generated the sweep portion of the waveform, except for a reversal of direction. The resistance through which C160 discharges is much less than that of the Timing Resistor (through which it charges). The capacitor current for this period will therefore be much larger than during the sweep portion, and the plate of the Miller Tube will return rapidly to its quiescent voltage. This produces the retrace portion of the sweep sawtooth, during which time the crt beam returns rapidly to its starting point.

The Hold-Off Circuit prevents the Time-Base Generator from being triggered during the retrace interval. That is, the hold-off allows a finite time for the Time-Base circuits to regain a state of equilibrium after the completion of a sweep.

During the trace portion of the sweep sawtooth the Hold-Off Capacitor C180 charges through V183A, as a result of the rise in voltage at the cathode of V183A. At the same time, the grid of V135A is being pulled up, through the Hold-Off C.F. V183B, until V135A comes out of cutoff and starts conducting. As mentioned previously, this is the action that initiates the retrace. At the start of the retrace interval C180 starts discharging through the Hold-Off Resistor. The time constant of this circuit is long enough, however, so that during the retrace interval (and for a short period of time after the completion of the retrace) C180 holds the grid of V135A high enough so that it cannot be triggered. However, when C180 discharges to the point that V135A and the grid returns to the level established by the STABILITY control. The hold-off time required is determined by the size of the Timing Capacitor. For this reason the TIME/DIV. switch changes the time constant of the Hold-Off Circuit simultaneously with the change of Timing Capacitors.

The STABILITY control R110 regulates the dc level at the grid of V135A. In use, this control is adjusted so that the grid voltage is just high enough to prevent the circuit from free-running. Adjusted in this manner, a sweep will only be produced when a negative-going triggering pulse from the Schmitt Trigger can drive the stage into cutoff. For convenience, a PRESET STABILITY control can be connected into the circuit via switch SW110. When in this position a fixed negative dc voltage is obtained from R111 and applied to the grid of V135A. This control, adjusted at the factory, can be used in most triggering applications of the instrument. Where triggering may be critical, however, the variable STABILITY control should be used.

The positive rectangular pulse appearing at the cathode of V135B is coupled through the Unblanking C.F. to the grid circuit of the crt. This pulse, whose start and duration

are coincident with that of the sweep portion of the sawtooth, unblanks the crt and permits the trace to be observed.

The unblanking pulse is also coupled through another cathode follower, V193B, to a jack on the front panel labeled + GATE OUT. This positive pulse, which starts at ground and rises to +20 volts, has a start and duration which are likewise coincident with the sweep portion of the sawtooth.

The sweep sawtooth voltage at the cathode of V161A, in addition to being coupled to the Horizontal Amplifier, is also coupled through the cathode follower V193A to a jack on the front panel labeled SAWTOOTH OUT. This provides a 150 volt linear rise in voltage, starting near zero volts with respect to ground.

Horizontal Amplifier

The Horizontal Amplifier consists of an input cathode follower, a driver cathode follower, a push-pull amplifier and an output cathode follower stage.

The sweep waveform is coupled to the grid of the Input C.F. V313B via the frequency-compensated voltage divider R310-R311. The Horizontal POSITIONING control R314A supplies a manually adjustable dc voltage to the grid of V313B for horizontal positioning of the crt beam. The R315-C315 network produces a small step at the start of the waveform at the faster sweep rates. This step is necessary to compensate for the bandpass-limiting effect of the stray capacitance in the amplifier. By its application the waveform will start linearly at the faster sweep rates. The Input C.F. V313B provides the necessary low impedance to drive the switch capacitances and the Driver C.F. V313A isolates the Output Amplifier from the HORIZONTAL DISPLAY switch.

In the MAG. position of the HORIZONTAL DISPLAY switch, the waveform is coupled by cathode follower V313A to the Output Amplifier stage. This stage, V354A and V374A, a cathode-coupled phase inverter, converts the single-ended input to a push-pull output. The waveform is then coupled by the Output C.F. stage, V354B and V374B, to the horizontal-deflection plates. The MAG. GAIN ADJ. R358 varies the degeneration in the cathode circuit of the Output Amplifier and thus sets the gain of the stage. C358 reduces the degeneration at higher frequencies and thus compensates the amplifier for faster sweep rates. Bootstrap capacitors C350 and C372 also improve the response at the faster sweep rates by supplying current from the output cathode followers to charge the stray capacitance at the plates of the Output Amplifier. Neon lamp B300 is connected in the circuit when the HORIZONTAL DISPLAY switch is in the MAG. position to indicate that the magnifier circuits are in operation.

In the NORM. position of the HORIZONTAL DISPLAY switch the gain of the amplifier is reduced by a factor of five by a feedback loop between the cathode circuit of V354B and the grid circuit of V313A. This loop consists of R333 shunted by C333, and R324 and R325 shunted by C324. The amount of feedback, and hence the gain of the amplifier, is adjusted by means of R325, the HORIZ. GAIN ADJ. In the NORM. position of the HORIZONTAL DISPLAY switch both the MAG. GAIN ADJ. and the HORIZ. GAIN ADJ. will vary the gain; for this reason the MAG. GAIN ADJ.

must only be set when the HORIZONTAL DISPLAY switch is in the MAG. position.

The NORM./MAG. REGIS. control R335 adjusts the voltage at the grid of V313A to equal the voltage at the cathode of V313B when the spot is in the center of the screen and the HORIZONTAL DISPLAY switch is in the NORM. position. This insures that the portion of the waveform within the center two graticule divisions, when the HORIZONTAL DISPLAY switch is in the NORM. position, will be expanded the full length of the graticule when the HORIZONTAL DISPLAY switch is set to the MAG. position.

In the EXT. position of the HORIZONTAL DISPLAY switch the Driver C.F. is connected to an external binding post on the front panel marked HORIZ. INPUT. With this arrangement the horizontal waveform is obtained from an external source rather than from the Time-Base Generator. The HORIZ. INPUT ATTEN. control R330 varies the input voltage so that the waveform may be adjusted for the desired amplitude. In the EXT. position, horizontal beam positioning is provided by R314B rather than by R314A.

POWER SUPPLY

Plate and filament power for the tubes in the Type RM16-RS16 is furnished by a low voltage power transformer, T600. The Type RS16 uses an additional booster transformer, T700, to compensate for interunit cable loss. A two-section tapped primary on the power transformer, T600, permits operation on the following nominal line voltages: 110, 117, 124, 220, 234 or 248 volts. Silicon rectifiers are employed for the three separate fullwave, bridge-type, power supplies. The three supplies furnish regulated dc voltages of -150 volts, $+100$ volts and $+300$ volts. The $+300$ -volt supply also has an unregulated output of about $+400$ volts for the oscillator tube in the high-voltage supply for the crt. It is unnecessary to regulate this supply as the high-voltage power supplies have their own regulation circuits.

Reference voltage for the -150 -volt supply is established by a gas diode Voltage-Reference tube V609. This tube, which has a constant voltage drop, establishes a fixed potential of about -84 volts at the grid of V606B, one-half of a Difference Amplifier. The grid potential for the other half of the Difference Amplifier, V606A, is obtained from a voltage divider consisting of R616, R617 and R618. R617, the -150 ADJ., determines the percentage of total voltage that appears at the grid of V606A and thus determines the total voltage across the divider. When this control is properly adjusted the output voltage is exactly -150 volts.

Should the loading on the supply tend to change the output voltage, the potential at the grid of V606A will change in proportion, and an error voltage will exist between the two grids of the Difference Amplifier. The error signal is amplified by V606B, whose plate is dc-coupled to the grid of the Series Tube V617B. The error voltage appearing at the grid of the Series Tube will change the voltage drop across the tube, and hence change the voltage at the plate of the tube. This change in voltage at the plate of the Series Tube, which will be in a direction to compensate for the change in the output voltage, is coupled through C601 to the output and thus pulls the output voltage back to its established value of -150 volts. C614 improves the

ac gain of the feedback loop, and thus increases the response of the circuit to sudden changes in output voltage.

The -150 -volt supply serves as a reference for the $+100$ -volt supply. The voltage divider R641-R642 establishes a voltage of essentially zero at the grid of the Amplifier V636. (The actual voltage at this grid will be equal to the bias voltage required by the tube.) If the loading should tend to change the output voltage, an error voltage will appear at the grid of the Amplifier. The error voltage will be amplified and will appear at the grid of the Series Tube V637. The cathode of V637 will follow the grid, and thus the output voltage will be returned to its established voltage of $+100$ volts. C638 improves the response of the regulator circuit to sudden changes in output voltage.

A small sample of the unregulated-bus ripple will appear at the screen of V636 through R635. This ripple signal appearing at the screen (which acts as an injector grid) will produce a ripple component at the grid of V637 which will be opposite in polarity to the ripple appearing at the plate of V637. This tends to cancel the ripple at the cathode of V637, and hence reduces the ripple on the $+100$ -volt bus. This same circuit also improves the regulation of the circuit in the presence of the line voltage variation.

The $+300$ -volt supply functions in the same manner as the $+100$ -volt supply. Rectified voltage from terminals 18 and 19 of the power transformer is added to the voltage supplying the $+100$ -volt regulator to supply power for the $+300$ -volt regulator. As mentioned previously, the $+300$ -volt supply also provides an unregulated $+400$ -volt output for the crt high-voltage supply.

CRT CIRCUIT

High-Voltage Supply

A single 60-kilocycle Oscillator circuit furnishes energy for the two power supplies that provide accelerating voltages for the crt. The Oscillator is the Hartley type, whose main components are V810 and the primary of T800 tuned by C811.

The rectifier circuits are of the half-wave type, with capacitor-input filter networks. Separate supplies are required for the grid and cathode circuits in order to provide dc-coupled unblanking to the grid supply. V822 supplies about -1850 volts for the grid of the crt (the actual voltage depends on the setting of the INTENSITY control). V832 supplies -1675 volts for the cathode. With the mean potential in the deflection area $+175$ volts and the cathode at -1675 volts, the accelerating potential for the crt beam is 1850 volts.

In order to provide a constant deflection sensitivity in the oscilloscope, and thereby maintain its calibration, it is necessary that the accelerating potentials in the crt remain constant. This is accomplished by regulating the grid and cathode supplies by comparing a sample of the high voltage to the regulated -150 -volt supply. The "sample" voltage, obtained from the arm of R841 (H.F. ADJ.), is applied to the grid of V806B; the cathode of this tube is connected to the regulated -150 -volt supply. The error signal is amplified by V806B and V806A. The output of V806A varies the screen voltage of the Oscillator tube, thus controlling its output.

Unblanking

As mentioned previously, dc-coupled unblanking is accomplished by employing separate high-voltage supplies for the grid and cathode. The cathode supply is tied to the +100-volt supply via the decoupling network R832 and C832. The grid supply, on the other hand, is not tied to any other supply and is therefore "floating". The unblanking pulses from the Time-Base Generator are transmitted to the grid of the crt via the floating grid supply.

At the faster sweep rates the stray capacitance in the circuit would make it difficult to move the floating supply fast enough to unblank the crt in the required time. To overcome this, an isolation network composed of C822, C826, R822 and R826 is employed. The fast leading edge of the unblanking pulse, at the faster sweep rates, is coupled directly to the grid of the crt via C822 and C826; the power supply itself is not appreciably moved during this time due to the isolating resistors R822 and R826.

For longer unblanking pulses (at slower sweep rates) the stray capacitance of the circuit is charged through R822; this holds the grid at the unblanked potential for the duration of the pulse.

CALIBRATOR

RM16 S/N 101 to 859; RS16 S/N 101 to 201

The Calibrator is a square-wave generator whose approximately 1-kilocycle output is available at a front-panel jack labeled CAL. OUT. It consists of a Multivibrator, V875, connected so as to switch the Cathode Follower V883 between two operating states—cutoff and conduction.

During the negative portion of the Multivibrator waveform the grid of V883 is driven well below cutoff and the cathode rests at ground potential. During the positive portion of the waveform the grid of V883 rises to slightly less than 100 volts. By means of the CAL. ADJ. R879, the grid voltage can be adjusted so that the voltage at the CAL. TEST PT can be set to exactly 100 volts.

The Calibrator C.F. has a calibrated tapped voltage divider for its cathode resistor. By means of the VOLTS, PEAK TO PEAK switch, eleven calibrated voltages from 0.05 v to 100 v are available.

CALIBRATOR

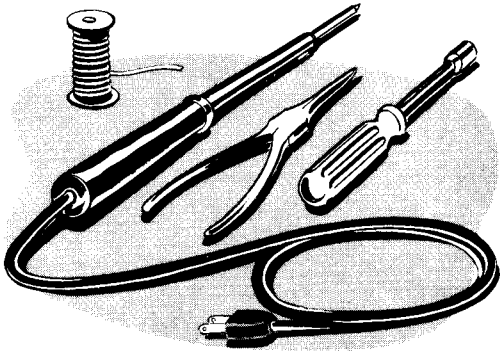
RM16 S/N 860 and up; RS16 S/N 202 and up

The Calibrator is a square-wave generator whose approximately 1-kilocycle output is available at a front-panel jack labeled CAL. OUT. It consists of a Multivibrator, V875A and V883, connected so as to switch the Cathode Follower V875B between two operating states—cutoff and conduction.

During the negative portion of the Multivibrator waveform the grid of V875B is driven well below cutoff and the cathode rests at ground potential. During the positive portion of the waveform the grid of V875B rises to slightly less than 100 volts. By means of the CAL. ADJ. R879, the grid voltage can be adjusted so that the voltage at the CAL. TEST PT can be set to exactly 100 volts.

The Calibrator C.F. has a calibrated tapped voltage divider for its cathode resistor. By means of the VOLTS, PEAK TO PEAK switch, eleven calibrated voltages from 0.05 v to 100 v are available.

MAINTENANCE



PREVENTIVE MAINTENANCE

Air Filter

Care must be taken to assure free ventilation of the Type RM16-RS16 inasmuch as some of the components are operated at dissipation levels such that excessive interior temperatures will result without adequate air circulation. To assure free passage of air the instrument must be placed so that the air intake is not blocked and the filter must be kept clean. Do not remove the covers except during maintenance.

A washable EZ KLEEN filter is used at the air intake part of the instrument. Under normal operating conditions the filter should be inspected and cleaned if necessary every three to four months. More frequent inspection is required when the operating conditions are more severe.

The following cleaning instructions are issued by the filter manufacturer:

(1) If grease or dirt load is light, remove filter from installation and rap gently on hard surface to remove loose dirt. Flush remaining dirt or grease out of filter with a stream of hot water or steam.

(2) If load is too heavy for treatment described in (1), prepare mild soap or detergent solution in pan or sink deep enough to cover the filter when laid flat. Agitate filter up and down in solution until grease or dirt is loosened and floated off.

(3) Rinse filter and let dry.

(4) Dip or spray filter with fresh Filter Coat or Handi-Coater. These products are available from the local representative of the Research Products Corporation and from most air conditioner suppliers.

Fan Motor

The fan motor in the Type RM16 or RS16 has a lifetime supply of lubricant in the sealed bearings, so no further lubrication is required. This is true whether your instrument is equipped with a standard ac fan or with a dc fan—modification number 101. If your scope is in fairly constant use, the condition of the brushes of dc fans should be checked every other month, since their life expectancy is approximately 6 months under conditions of daily use.

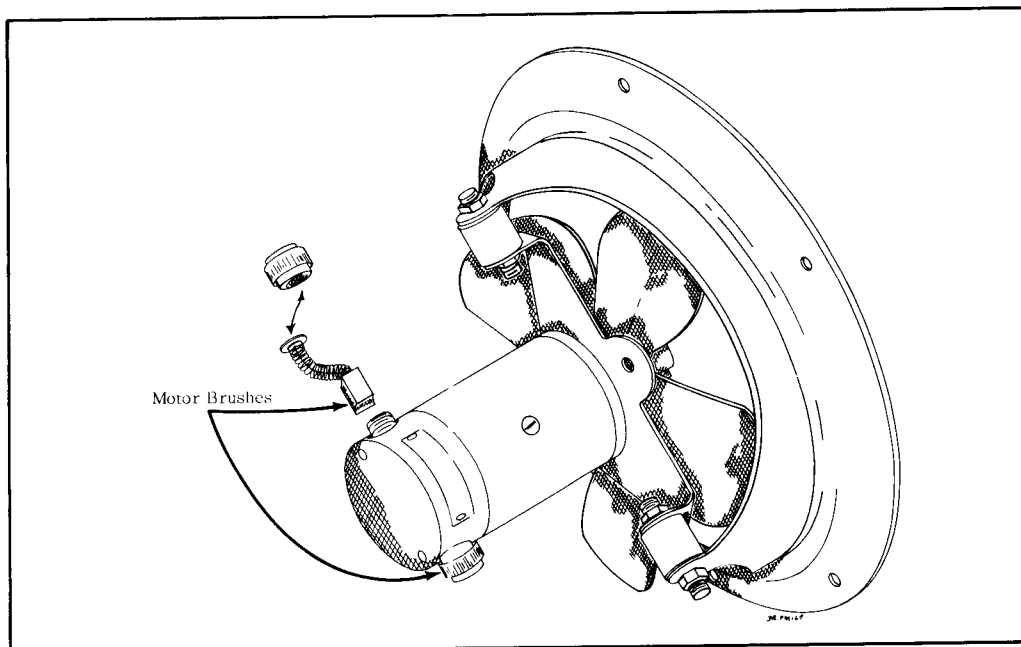


Fig. 5-1. Replacement of brushes of Fan motor on RM/RS16 DC Fan modification.

Visual Inspection

You should visually inspect the entire oscilloscope every few months for possible circuit defects. These defects may include such things as loose or broken connections, damaged binding posts, improperly seated tubes, scorched wires or resistors, missing tube shields, or broken terminal strips. For most visual troubles the remedy is apparent; however, particular care must be taken when heat-damaged components are detected. Overheating of parts is often the result of other, less apparent, defects in the circuit. It is essential that you determine the cause of overheating before replacing heat-damaged parts in order to prevent further damage.

Soldering and Ceramic Strips

Many of the components in your Tektronix instruments are mounted on ceramic terminal strips. The notches in these strips are lined with a silver alloy. Repeated use of excessive heat, or use of ordinary tin-lead solder will break down the silver-to-ceramic bond. Occasional use of tin-lead solder will not break the bond if excessive heat is not applied.

If you are responsible for the maintenance of a large number of Tektronix instruments, or if you contemplate frequent parts changes, we recommend that you keep on hand a stock of solder containing about 3% silver. This type of solder is used frequently in printed circuitry and should be readily available from radio-supply houses. If you prefer, you can order the solder directly from Tektronix in one pound rolls. Order by Tektronix part number 251-514.

Because of the shape of the terminals on the ceramic strips it is advisable to use a wedge-shaped tip on your soldering iron when you are installing or removing parts from the strips. Fig. 5-2 will show you the correct shape for the tip of the soldering iron. Be sure to file smooth all surfaces of the iron which will be tinned. This prevents solder from building up on rough spots where it will quickly oxidize.

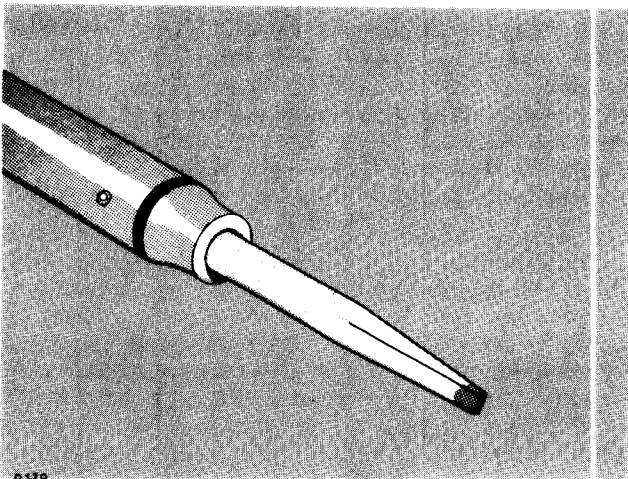


Fig. 5-2. Soldering iron tip properly shaped and tinned.

When removing or replacing components mounted on the ceramic strips you will find that satisfactory results are obtained if you proceed in the manner outlined below.

1. Use a soldering iron of about 75-watt rating.
2. Prepare the tip of the iron as shown in Fig. 5-2.
3. Tin only the first $\frac{1}{16}$ to $\frac{1}{8}$ inch of the tip. For soldering to ceramic terminal strips tin the iron with solder containing about 3% silver.
4. Apply one corner of the tip to the notch where you wish to solder (see Fig. 5-3).

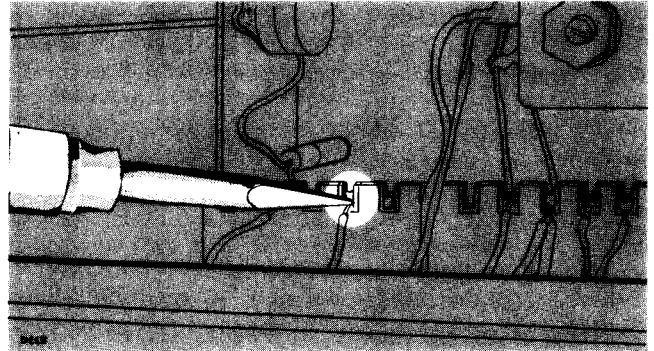


Fig. 5-3. Correct method of applying heat in soldering to a ceramic strip.

5. Apply only enough heat to make the solder flow freely.
6. Do not attempt to fill the notch on the strip with solder; instead, apply only enough solder to cover the wires adequately, and to form a slight fillet on the wire as shown in Fig. 5-4.

In soldering to metal terminals (for example, pins on a tube socket) a slightly different technique should be employed. Prepare the iron as outlined above, but tin with ordinary tin-lead solder. Apply the iron to the part to be

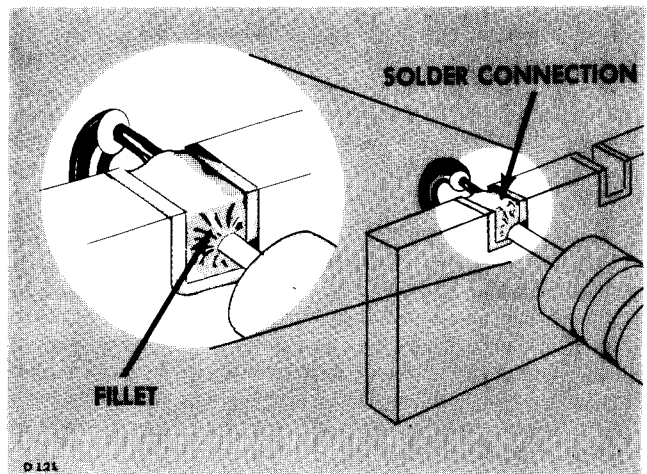


Fig. 5-4. A slight fillet of solder is formed around the wire when heat is applied correctly.

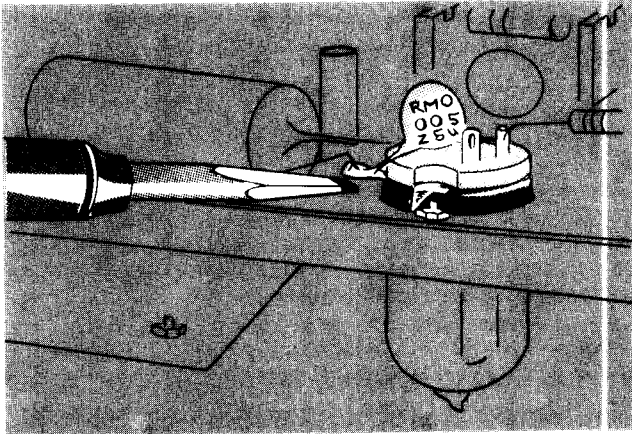


Fig. 5-5. Soldering to a terminal. Note the slight fillet of solder—exaggerated for clarity—formed around the wire.

soldered as shown in Fig. 5-5. Use only enough heat to allow the solder to flow freely along the wire so that a slight fillet will be formed as shown in Fig. 5-5.

General Soldering Considerations

When replacing wires in terminal slots clip the ends neatly as close to the solder joint as possible. In clipping the ends of wires take care the end does not fly across the room as it is clipped.

Occasionally you will wish to hold a bare wire in place as it is being soldered. A handy device for this purpose is a short length of wooden dowel, with one end shaped as shown in Fig. 5-6. In soldering to terminal pins mounted in plastic rods it is necessary to use some form of "heat sink" to avoid melting the plastic. A pair of long-nosed pliers (see Fig. 5-7) makes a convenient tool for this purpose.

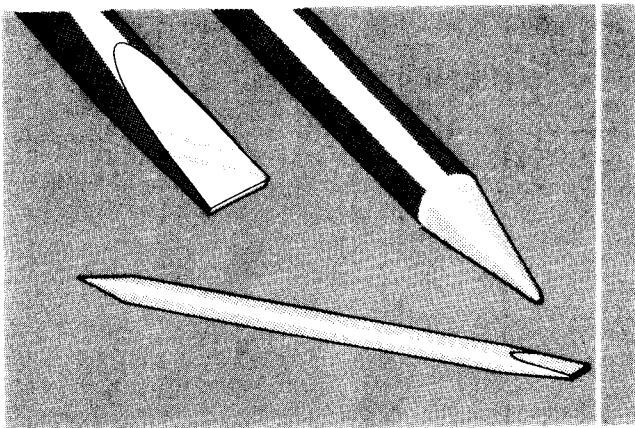


Fig. 5-6. A soldering aid constructed from a $\frac{1}{4}$ inch wooden dowel.

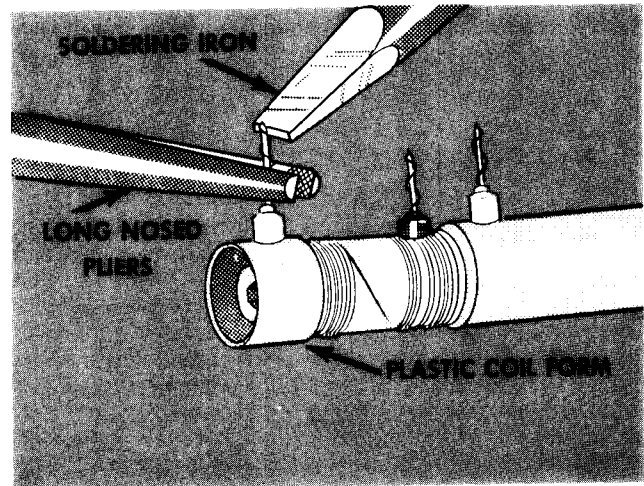


Fig. 5-7. Soldering to a terminal mounted in plastic. Note the use of the long-nosed pliers between the iron and the coil form to absorb the heat.

Ceramic Strips

Two distinct types of ceramic strips have been used in Tektronix instruments. The earlier type mounted on the chassis by means of #2-56 bolts and nuts. The later type is mounted with snap-in plastic fittings. Both styles are shown in Fig. 5-8.

To replace ceramic strips which bolt to the chassis, screw a #2-56 nut onto each mounting bolt, positioning the bolt so that the distance between the bottom of the bolt and the bottom of the ceramic strip equals the height at which you wish to mount the strip above the chassis. Secure the nuts to the bolts with a drop of red glyptal. Insert the bolts through the holes in the chassis where the original strip was mounted, placing a #2 starwasher between each nut and the chassis. Place a second set of #2 flatwashers on the protruding ends of the bolts, and fasten them firmly with another set of #2-56 nuts. Place a drop of red glyptal over each of the second set of nuts after fastening.

Mounting Later Ceramic Strips

To replace strips which mount with snap-in plastic fittings, first remove the original fittings from the chassis. Assemble the mounting post on the ceramic strip. Insert the nylon collar into the mounting holes in the chassis. Carefully force the mounting post into the nylon collars. Snip off the portion of the mounting post which protrudes below the nylon collar on the reverse side of the chassis.

NOTE

Considerable force may be necessary to push the mounting rods into the nylon collars. Be sure that you apply this force to the area of the ceramic strip directly above the mounting rods.

TROUBLESHOOTING PROCEDURE

This section of the manual contains information for troubleshooting your oscilloscope. Before attempting to trouble-

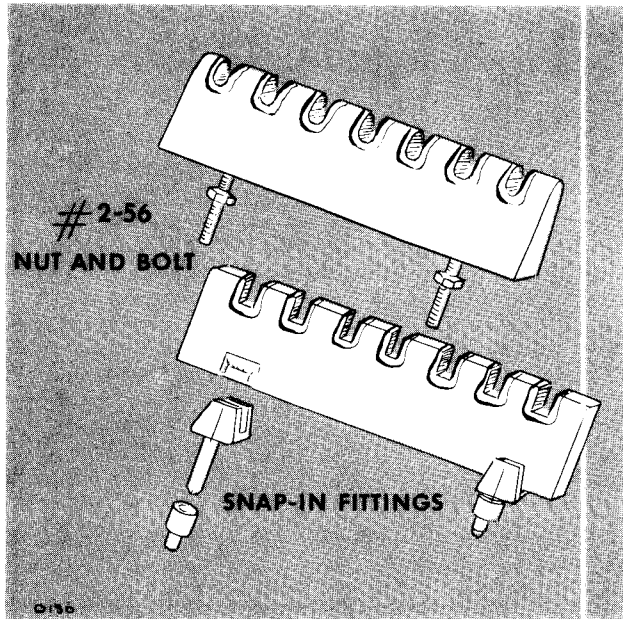


Fig. 5-8. Two types of ceramic strip mountings.

shoot the instrument, however, make sure that any apparent trouble is actually due to a malfunction within the instrument and not to improper control settings.

Tube failure is the most prevalent cause of circuit failure. For this reason, the first step in troubleshooting any circuit in the instrument is to check for defective tubes, preferably by direct substitution. Do not depend on tube testers to adequately indicate the suitability of a tube for certain positions within the instrument. The criterion for usability of a tube is whether or not it works satisfactorily in the instrument. Be sure to return all good tubes to their sockets; if this procedure is followed less recalibration of the instrument will be required upon completion of the servicing.

When replacing any tube in the instrument, check first to see that components through which the tube draws current have not been damaged. Shorted tubes will sometimes overload and damage plate-load and cathode resistors. These damaged components can generally be located by a visual inspection of the wiring. If no damaged components are apparent, and if tube replacement does not restore operation, it will be necessary to make measurements or other checks within the circuit to locate the trouble.

The component number of each resistor, inductor, capacitor, vacuum tube, control and switch is shown on the circuit diagrams. The following chart lists the component numbers associated with each circuit:

All numbers	
less than 100	Time-Base Trigger
100 series	Time-Base Generator
300 series	Horizontal Amplifier
400 series	Preamplifier
500 series	Vertical Amplifier

600 series and	
700 series	Low-Voltage Power Supply
800 series	CRT Circuits, High Voltage and Square-Wave Calibrator

Switch wafers shown on the schematic diagrams are coded to indicate the position of the wafer on the actual switches. The number position of the code refers to the wafer number on the switch assembly. Wafers are numbered from the front of the switch to the rear. The letters F and R indicate whether the front or the rear of the wafer is used to perform the particular switching function.

PRELIMINARY INSPECTION

If your Type RM16-RS16 Oscilloscope fails to operate, make sure that it is properly connected to a source of power. If the pilot lamp on the front panel, and the fan at the rear of the instrument, do not come on when the instrument is turned on, check the source of power, the power cord connections and the fuse.

If the instrument is turned on, but no spot or trace is visible on the crt, check the POSITION and INTENSITY controls. Be sure that an input signal is not driving the beam off the screen.

Although your oscilloscope is a complex instrument, it can be conveniently divided into basic circuits, as shown on the Block Diagram. The first circuit to check, for practically any type of trouble, is the low-voltage power supply. Proper operation of every circuit in the oscilloscope depends on proper operation of the regulated power supplies.

The low-voltage supply should be checked and if an improper voltage reading is obtained the first thing to suspect is the tubes. Make sure that any tubes found to be good, however, are returned to their original sockets. Color-coded wires, following the standard RETMA code, are used to identify the regulated supply voltages. The -150-volt bus wire is coded brown, green, brown; the +100-volt bus is coded brown, black, brown; and the +300-volt bus is coded orange, black, brown. The widest stripe always identifies the first color in the code.

For any troubles involving the loss of vertical and/or time-base calibration, the high-voltage supply must also be checked. This voltage can be measured at the -1675 TEST PT.

WARNING

Be careful of the power-supply voltages. The lower-voltage buses are considerably more dangerous than the high voltages in the crt circuit, due to the higher current capabilities and the larger filter capacitors used.

If the power supplies prove to be operating normally, the next step in troubleshooting an oscilloscope is to isolate the source of the trouble down to a particular circuit. The procedure for doing this is explained in the section that follows, entitled "Trouble Analysis and Circuit Isolation." Once the circuit at fault is known, you can then troubleshoot within this circuit to locate the component (or components) at fault. The Circuit Description for the circuit involved may prove useful when troubleshooting within a given circuit.

NOTE

After servicing the oscilloscope, it is important to check its calibration. For this, refer to the Recalibration Procedure section of this manual.

TROUBLE ANALYSIS AND CIRCUIT ISOLATION

Troubles that may be produced by a circuit failure in the Type RM16-RS16 Oscilloscope are as follows:

1. No spot or trace.
2. Insufficient or no vertical deflection.
3. Insufficient or no horizontal deflection.
4. Nonlinear horizontal sweep.
5. Improper sweep timing (horizontal sweep linear).
6. Improper triggering.
7. Waveform distortion.

As mentioned previously, the purpose of this section is to help you isolate the source of trouble to a particular section or circuit. Once the faulty circuit is known, the component(s) causing the trouble can be located by normal trouble-shooting procedures; i.e., voltage and resistance measurements, tube and component substitution.

1. No spot or trace.

When no spot or trace is visible on the crt, the circuit at fault can be:

- a. The low-voltage power supply (which will also affect the high-voltage supply.)
- b. The high-voltage power supply and the crt circuit.
- c. The crt itself.
- d. The vertical amplifier and/or the delay line.
- e. The horizontal amplifier.
- f. The time-base generator.

If the power supplies are operating normally, the following checks can be made to isolate the circuit causing the trouble. Short the vertical deflection plates together (at the neck pins on the crt) with a screwdriver. (Be careful not to short the vertical neck pins to any other pins, or to the metal tube shield.) Adjust the Horizontal POSITIONING control and see if the spot or trace appears on the crt. If so, a state of unbalance in the vertical-deflection system is indicated.

Next, short together the plates of the Output Amplifier (V544-V554). If the trace reappears, the Delay Line can be eliminated as the source of the trouble. The shorting strap can now be moved back, across correspondingly-opposite sides of the Vertical Amplifier, until a point is reached where the trace no longer appears. The stage immediately following this point will be the one in which the unbalance is being produced.

If the spot or trace does not appear, during the previous check, turn the instrument off and remove the leads that

connect to the horizontal-deflection plates (make sure that the metal clips on the end of each lead do not touch the chassis). Turn the instrument back on and (after warmup) adjust the Vertical POSITIONING control. If the spot now appears on the crt, either the Horizontal Amplifier or the Time-Base Generator is causing the trouble.

To determine which circuit is at fault, reconnect the leads to the horizontal-deflection plates and turn the HORIZONTAL DISPLAY switch to the EXT. position. If the spot now reappears, the Horizontal Amplifier is in balance, and the trouble is being caused by an inoperative condition in the Time-Base Generator. To troubleshoot this circuit, turn the HORIZONTAL DISPLAY switch to the NORM. position, and turn the STABILITY control to the free-running (full right) position. Next, turn the TIME/DIV. switch through its range. If a sweep or trace appears for some positions of the switch, the trouble will be occurring in the components associated with the Timing Switch.

If no trace appears in any position of the TIME/DIV. switch, replace the tubes in the Time-Base Generator one at a time. Make sure that all tubes found to be good are returned to their original socket. If this does not reveal the source of the trouble, the voltages throughout the circuit can be checked. In particular, check to see that the STABILITY control varies the voltage at the grid of V135A. Neon lamp B167 is an important part of the Time-Base circuit; check to see that it is not burned out.

It is important that you understand the operation of the Time-Base Generator before proceeding with an extensive investigation of the circuit. For this reason we suggest that you thoroughly study that portion of the Circuit Description that pertains to this circuit.

If no spot appeared on the crt when the HORIZONTAL DISPLAY switch was turned to the EXT. position, the Horizontal Amplifier is causing the trouble. The faulty stage in this circuit can be isolated by shorting together correspondingly-opposite sides of the amplifier and checking for a spot or trace on the crt. This is the same procedure that was explained in troubleshooting the Vertical Amplifier.

If none of the previous checks indicates the source of the trouble, a defective crt is indicated.

2. Insufficient or no vertical deflection.

If there is no vertical deflection on the crt, an inoperative condition in the vertical-deflection system is indicated. The source of this trouble can be:

- a. The delay line.
- b. The vertical amplifier.

If the trace can be moved with the Vertical POSITIONING control, the trouble is originating ahead of the control in one of the input stages to the Vertical Amplifier (Input C.F., Input Amplifier).

If the trace cannot be moved with the Vertical POSITIONING control, one of the stages following the control, or the Delay Line, is inoperative. In either of the above cases the tubes should first be replaced. If the trouble still exists, connect a voltmeter between the two plates of the Output Amplifier (V544-V554). If the voltage at this point varies

as the Vertical POSITIONING control is rotated, the Delay Line is causing the trouble. If the voltage at this point does not vary, the voltmeter can be moved back, point by point, across opposite sides of the amplifier. The stage producing the trouble will be indicated when a point is reached where the voltage does vary as the Vertical POSITIONING control is adjusted.

If there is some vertical deflection on the crt, but not enough to correspond to the calibrated value, the Vertical Amplifier can be investigated for insufficient gain. If there is only a slight deficiency in the deflection, as will usually be the case, the amplifier can generally be recalibrated for gain. Refer to the Recalibration Procedure for this. However, if the amplifier cannot be recalibrated, or if the decrease in gain is more pronounced, it will be necessary to check the tubes and circuit components.

If the trouble described in this section only appears when the VOLTS/DIV. switch is in one of the positions marked AC ONLY, the trouble is originating in the Preamplifier. Or, if the trouble only appears in one position of the VOLTS/DIV. switch, the Attenuator(s) associated with this setting of the switch will be at fault.

3. Insufficient or no horizontal deflection.

If there is no horizontal deflection on the crt, the circuit at fault can be:

- a. The time-base generator.
- b. The horizontal amplifier.

The operation of the Time-Base Generator can be checked from the front panel. Set the HORIZONTAL DISPLAY switch to NORM., the TIME/DIV. switch to .5 SEC., and adjust the STABILITY control for a free-running sweep (full right). Connect a voltmeter between the SAWTOOTH OUT connector and ground. If the voltage varies between zero and +150 volts, as the Miller circuit runs up and back, the Time-Base Generator is operating properly. No voltage variation at this jack indicates an inoperative Time-Base Generator circuit.

When the trouble has been isolated to either the Time-Base Generator or the Horizontal Amplifier, the circuit at fault can be located by following the procedure outlined in Section 1.

If there is some horizontal deflection on the crt, but not enough to cover the ten-division length of the graticule, the trouble will either be due to insufficient output from the Time-Base Generator, or to insufficient gain in the Horizontal Amplifier.

The Time-Base Generator can be checked in the same manner as described previously. That is by measuring for a 150-volt variation at the SAWTOOTH OUT connector, at a slow sweep rate. If this reading is not obtained, the Time-Base Generator is at fault, and its circuitry can be investigated. The SWEEP LENGTH control (R176) is very important in this respect, and its setting should be checked first. For the proper adjustment of this control, refer to the Recalibration Procedure.

If a voltmeter indicates the proper reading at the SAWTOOTH OUT connector, the Horizontal Amplifier will be

the circuit at fault. There are two gain adjustments in this circuit: the HORIZ. GAIN ADJ. (325) and the MAG. GAIN ADJ. (R358). Any adjustment of these controls, however, will also affect the sweep timing. Be sure to refer to the Recalibration Procedure before making any adjustments in the Horizontal Amplifier.

4. Nonlinear horizontal sweep.

The linearity of the horizontal-deflection circuit can be checked by connecting a marker-generator to the Vertical INPUT connector and adjusting the Time-Base controls for a stationary display. If the display markers are not equally spaced across the graticule, a nonlinear horizontal sawtooth, at the horizontal deflection plates, is indicated. This can be caused by nonlinear amplification in the Horizontal Amplifier, or by nonlinear operation of the Time-Base Generator.

If another oscilloscope is available, the linearity of the Time-Base Generator can be checked by observing the sawtooth available at the SAWTOOTH OUT connector. If the slope of the trace portion of the sawtooth is constant, the Time-Base Generator is producing a linear sawtooth and the nonlinearity is being produced in the Horizontal Amplifier. If the slope of the trace is not constant, however, the nonlinearity is being produced by the Time-Base Generator circuitry.

5. Improper sweep timing (horizontal sweep linear).

If the timing of the horizontal sweep appears to be improper, check to see if this is occurring in all positions, or just in certain positions, of the TIME/DIV. switch. If the timing appears to be off in all positions of the switch, the Horizontal Amplifier will probably be out of adjustment. Two adjustments, the HORIZ. GAIN ADJ. (R325) and the MAG. GAIN ADJ. (R358), affect the timing at all sweep rates. Refer to the Recalibration Procedure for the adjustment of these controls.

If the timing is off in just one setting, or in just one group of settings, of the TIME/DIV. switch, one (or more) of the components associated with the Timing Switch have probably changed in value. There are three variable capacitors associated with this switch: C160A, C160C and C160E. These capacitors should be adjusted only if the timing in the μ SEC range appears to be off.

6. Improper triggering.

If the waveform you are observing cannot be triggered (locked into position) properly, the trouble can be:

- a. The trigger-pickoff circuit (Trigger C.F. V563) in the vertical amplifier.
- b. The time-base trigger circuit.
- c. The time-base generator circuit.

The operation of the Trigger C.F. can be checked as follows: connect an external triggering signal (preferably the signal-input waveform) to the TRIGGER INPUT connector.

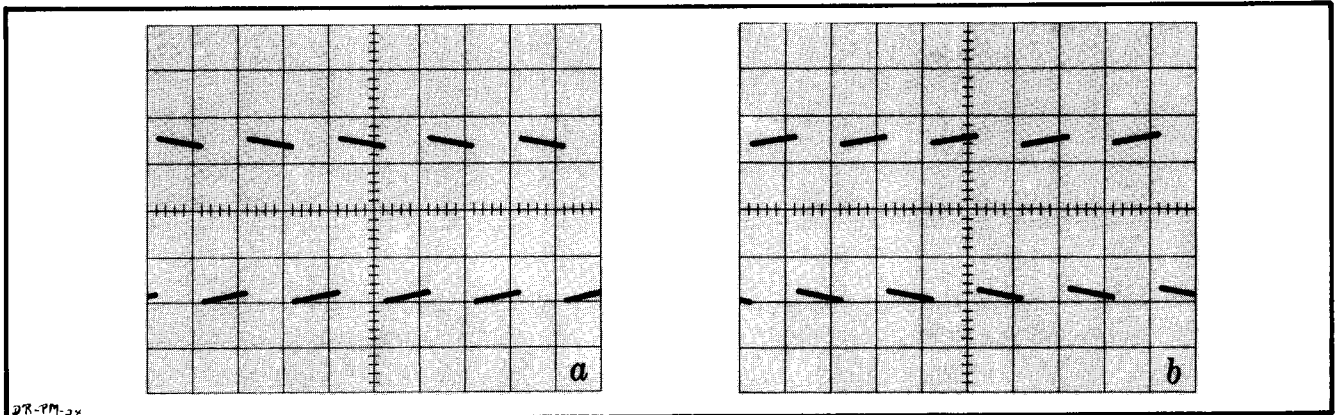


Fig. 5-9. Two types of low-frequency distortion.

Set the black TRIGGER SELECTOR knob to EXT. (+ or -). Check to see if the waveform can now be triggered. If so, the Trigger C.F. stage V563 is at fault; it is not passing the internal signal that develops the triggering pulse.

If the waveform cannot be triggered in either the INT. or EXT. positions of the TRIGGER SELECTOR switch, some circuit in either the Time-Base or the Time-Base Generator is not operating properly. The Time-Base Generator can be eliminated if the trace can be turned off and on with the STABILITY control.

7. Waveform distortion

Waveform distortion can be divided into two categories: (a) low-frequency distortion, shown in Fig. 5-9, and (b) high-frequency distortion, shown in Fig. 5-10. Any low-frequency distortion apparent in the waveform will be produced by the Pre-amplifier. The main Vertical Amplifier is dc-coupled; therefore its response is flat down to dc.

Low-frequency attenuation will produce the type of distortion shown in Fig. 5-9a. This is caused by cathode- and screen-bypass capacitors, and by coupling capacitors. Before attempting any component replacement, however, be sure to check the adjustment of the L.F. ADJ. control R475, as explained in the Recalibration Procedure.

Overcompensation of low frequencies is shown in Fig. 5-9b. This condition is produced by excessive low-frequency "boost". Refer to the Circuit Description for an explanation of how the "boost" circuit operates.

NOTE: Low-frequency distortion can also be produced by an improperly adjusted probe. Refer to the article on "Use of Probes", page 3-3.

High-frequency distortion can be produced in the Attenuators (shown on the Preamplifier diagram), the Preamplifier, the main Vertical Amplifier, and the Delay Line. When the VOLTS/DIV. switch is in the .1 (straight through) position the Attenuators and the Preamplifier are bypassed. Any distortion observed in the waveform, when the switch is in this position will be produced by either the Vertical Amplifier or the Delay Line.

Insufficient high-frequency peaking, which limits the rise-time and consequently the bandwidth, will produce the rounded-corner type of distortion illustrated in Fig. 5-10a. Tubes are often a cause of this type of distortion. Shorted, or partially shorted, peaking coils are another common source.

The overshoot condition, illustrated in Fig. 5-10b, is the result of excessive high-frequency peaking, and is produced by improperly adjusted peaking coils. The "wrinkle" condition, shown in Fig. 5-10c, is produced by an improperly adjusted Delay Line. Refer to the Recalibration Procedure for the Delay Line adjustment procedure.

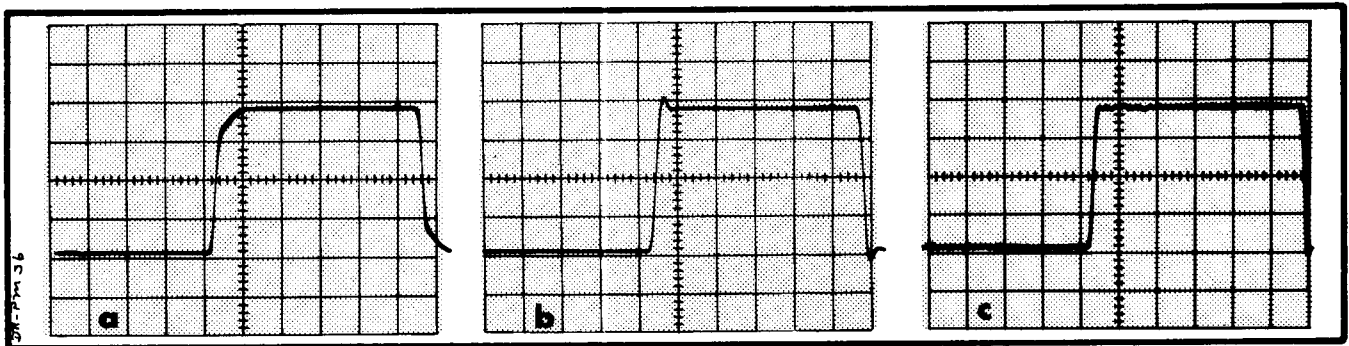
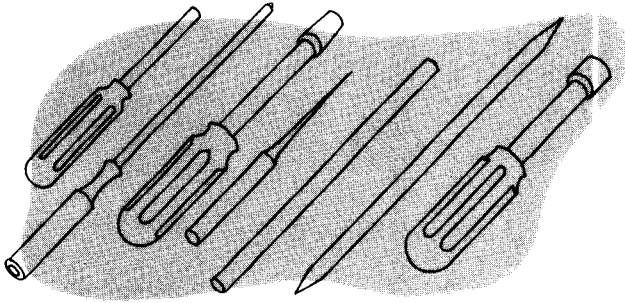


Fig. 5-10. Three types of high-frequency distortion.

SECTION 6

CALIBRATION PROCEDURE



General

The Type RM16-RS16 Oscilloscope is a stable instrument and should not require frequent recalibration. However, it will be necessary to recalibrate certain parts of the instrument when tubes or components are changed, and a periodic recalibration is desirable. In the instructions that follow, the steps are arranged in the proper sequence for a full recalibration of the instrument. Each numbered step contains the information necessary to make one adjustment. If you are aware of the interaction between adjustments, you can refer to a particular adjustment procedure and make the adjustment without performing unnecessary steps.

Outline of Procedure

For purposes of recalibration, the Type RM16-RS16 Oscilloscope can be divided into five distinct parts: (1) the power-supply and crt circuits, (2) the triggering circuits, (3) the horizontal-amplifier and time-base generator, (4) the vertical amplifier and (5) the delay line. Calibration adjustments made in any one of these categories will frequently affect another adjustment in the same category. For example, the HORIZ. GAIN ADJ. control affects the calibration of the time-base generator at all sweep rates when the DISPLAY switch is in the NORMAL position, and therefore affects the adjustment of C160E, the 10-microsecond per division timing adjustment. On the other hand, calibration adjustments made in one category will usually have little or no effect on adjustments in another category. There are a few exceptions, the most notable being the power-supply voltage adjustments.

Interaction of Adjustments

If you find it necessary to effect a single adjustment without recalibrating the rest of the instrument, it is most important that you are fully aware of the interaction of adjustments. Generally speaking, the interaction of controls will be apparent in the schematic diagram. If you are in doubt, check the calibration of the entire section on which you are working. For example, if you make an adjustment in the horizontal-deflection system, check all of the adjustments listed under the heading in these instructions.

EQUIPMENT REQUIRED

The following equipment or its equivalent is necessary for a full recalibration of the Type RM16-RS16 Oscilloscope.

1. DC voltmeter (at least 5000 ohms per volt) calibrated for an accuracy within 1% at 100 volts, 150 volts and 300 volts, and calibrated for an accuracy within 3% at 1675 volts. Be sure your meter is accurate.
2. Accurate rms-reading ac voltmeter, 0-150 volts (0-250 or 0-300 for 200 to 260 volt operation).
3. Variable autotransformer (Powerstat, Variac, etc.) having a rating of at least 3 amperes.
4. Time-Mark Generator, Tektronix Type 180 or Type 181. If neither of these instruments is available, it will necessary to substitute a time-mark generator having output markers of 100, 10 and 1 microseconds, and a sine-wave output of 10 megacycles, with an accuracy of at least 1%.
5. Square-Wave Generator, Tektronix Type 105, with a Type B52-R Terminating Resistor, a Type B52-L10 "L" Pad and a Type P52 Coaxial Cable.

In these instructions, a Type 105 Square-Wave Generator is used to describe the technique of adjusting the amplifier high- and low-frequency compensation. If you do not have a Tektronix Type 105, it will be necessary to substitute a generator with the following specifications: (1) output of approximately 50 cycles, and 400 kilocycles, (2) risetime no more than 20 nanoseconds (when properly terminated) and (3) output amplitude variable from about 40 millivolts to 100 volts.

6. Constant-Amplitude Signal Generator, Tektronix Type 190. In these instructions, a Type 190 is used to describe the techniques of measuring the bandwidth of the Type RM16-RS16 Vertical Amplifier. To make this measurement, it is necessary to have available at the INPUT connector of the Type RM16-RS16 a signal variable from one megacycle to over twelve megacycles, and having at least two amplitudes: 30 millivolts and 300 millivolts. It is also necessary that the output be adjustable (manually or automatically) for equal amplitude to all frequency settings.
7. Tektronix Type P510A or P6017 Probe.
8. Insulated alignment tools. See Fig. 6-1.

The tools can be purchased through your Tektronix Field Engineer or direct from the factory.

POWER SUPPLY AND CRT CIRCUITS

In this section, you will find six calibration steps outlining the method of adjusting the power-supply voltages, the crt circuits and the internal calibrator. Two of these adjustments will affect the calibration of the entire instrument.

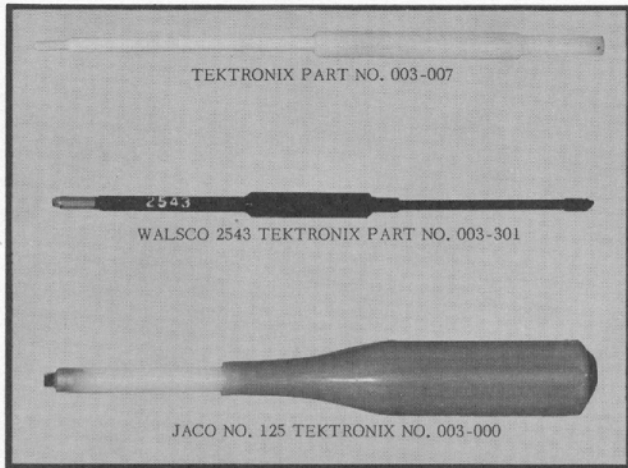


Fig. 6-1. Handtools necessary for calibrating the Type RM16 Oscilloscope.

They are Step 1, "Low-Voltage Supply" and Step 3, "High-Voltage Supply." If you find it is necessary to make these adjustments, you will also have to check the calibration of the rest of the instrument. Therefore, before you adjust the controls, double check your meter readings to be sure the adjustment is needed. In the instructions that follow it is assumed that the power transformer is connected for a nominal line voltage of 117 volts.

Preliminary

Preset the front-panel controls of the Type RM16-RS16 as follows:

POWER		off
INTENSITY	full counterclockwise	
TRIGGER SELECTOR (black)		+INT.
TRIGGER SELECTOR (red)		AC
DISPLAY		NORM.
TRIGGERING LEVEL		centered
STABILITY	full clockwise	
TIME/DIV. (black)		.5 MILLISEC
TIME/DIV. (red)	CALIBRATED (full clockwise)	
VERTICAL POSITIONING		centered
HORIZONTAL POSITIONING		centered
VOLTS/DIV. (black)		1
VOLTS/DIV. (red)	CALIBRATED (full clockwise)	
AC-DC		AC
CALIBRATOR		OFF

Remove the top and bottom plates from the Type RM16-RS16 and connect the power cord and the ac meter to the output of the variable autotransformer. Switch the Type RM16-RS16 power on and adjust the autotransformer for a meter reading of 117 volts. Maintain the autotransformer

output voltage at 117 volts during the calibration procedure. If the power transformer in your instrument is connected for 234-volt operation, adjust the autotransformer for a meter reading of 234 volts.

1. Low-Voltage Power Supply

Proper operation of your instrument is dependent upon correct power-supply voltages. Because the -150-volt supply is used as a reference for all of the other supplies, it is important that it is properly adjusted.

Measure the output voltage at the -150-volt, +100-volt and +300-volt supplies at the points indicated. Be sure your meter is accurate. The output voltage of the -150-volt supply must be between -147 and -153 volts, and the output voltages of the +100-volt and +300-volt supplies must be within 3% of their rated values. You should be able to set the -150 ADJ. control so that all of these voltages are within their specified tolerances. Bear in mind that the calibration of the entire instrument is affected by changes in the power-supply voltages.

To check the operation of the voltage regulating circuits, vary the autotransformer output voltage from 105 to 125 volts (or from 210 to 250 volts if the power transformer is connected for 234-volt operation) while observing the effect on the regulated power-supply voltages. All of the voltages should remain essentially constant.

2. Internal-Calibrator Adjustment

When the CAL. ADJ. control is properly set the calibrator output will be within 3% of the voltages indicated on the front panel. To make this adjustment, connect a voltmeter between the CAL. CHECK POINT and ground, turn the CALIBRATOR switch to OFF and adjust the CAL. ADJ. control for a meter reading of exactly 100 volts. To assure suitable symmetry of the calibrator waveform, the voltage at this point should not be less than 45 volts nor greater than 55 volts when the calibrator is turned on. Readings outside of this range are generally caused by an unbalanced multi-vibrator tube.

3. High-Voltage Power Supply

This adjustment determines the total accelerating voltage on the crt and thus affects the deflection sensitivity.

Connect the voltmeter between ground and the H.V. test point which can be reached through the cutout in the high-voltage shield. Adjust the H.V. ADJ. control for a meter reading of -1675 volts. This voltage should not vary more than 10 volts between the following limits:

Upper Limit: Line voltage—125 v; INTENSITY control turned full left.

Lower Limit: Line voltage—105 v; INTENSITY control turned full right.

NOTE

To avoid possible burning of the crt screen while performing this check, position the crt spot off the screen.

4. CRT Alignment

The crt in the Type RM16-RS16 is held in position by a single clamp around the tube base. If the instrument is subject to considerable handling, the clamp may loosen—permitting the crt to turn. This would cause the crt display to appear canted in relation to the graticule lines. Your job will be made easier if you align the crt at this point in the calibration procedure.

With no signal connected to the INPUT connector, free-run the Time-Base Generator by turning the STABILITY control full right. Position the free-running trace directly behind the center horizontal graticule line. If the trace and the graticule line do not coincide over the width of the graticule, it will be necessary to loosen the crt base clamp and rotate the crt until they do.

After you have aligned the crt trace with the graticule line, push the crt forward so that it rests snugly against the graticule. Then, tighten the crt base clamp. Recheck the alignment of the crt after tightening the clamp to be sure it didn't move while the clamp was being tightened.

5. CRT Astigmatism

Need for adjustment of the ASTIGMATISM control is indicated if the display appears to be defocused and it is impossible to improve the focus with the front-panel control.

Connect a jumper from the CAL. OUT connector to the VERTICAL INPUT connector and adjust the controls for a reasonably bright display of four to five square-waves having a vertical deflection of 2 or 3 major divisions. Now adjust the ASTIG. and FOCUS controls for the sharpest possible display. Changes in INTENSITY or ambient light conditions may require readjustment of these two controls.

6. CRT Geometry

The geometry of the crt display is adjustable over a limited range by means of the GEOM. ADJ. control. To achieve optimum linearity, vertical lines are displayed on the crt and the GEOM. ADJ. control is adjusted for minimum

curvature in the lines. Nonlinearity is most noticeable at the edges of the graticule.

To make this adjustment, preset the oscilloscope controls as described at the beginning of this section with the exception of the TIME/DIV. and the VOLTS/DIV. controls. Set these controls to .2 MILLISEC and .2 volts respectively. Next, connect the Time-Mark Generator to the INPUT connector and display 100-microsecond markers. Position the base line of the timing comb below the bottom edge of the crt face so that it is not visible. The display should appear similar to one of the drawings in Fig. 6-2. Adjust the GEOM. ADJ. control for straight vertical lines.

The calibrator output waveform can be used in place of the Time-Mark Generator to make this adjustment, but due to the dimness of the trace, the adjustment is more difficult.

TRIGGERING CIRCUITS

General

In this section you will find a three-step procedure for adjusting the triggering circuits. These adjustments should not affect the calibration of any other part of the oscilloscope and therefore can be adjusted separately. Steps 7 and 8 interact, however, and these adjustments should be made in the order given.

7. Trigger Level Centering

When displaying a symmetrical waveform of small amplitude and with the red TRIGGER SELECTOR knob at AC, there should be a setting of the TRIGGERING LEVEL control where the display appears to invert as you switch the black TRIGGER SELECTOR knob from +INT. to -INT. without requiring readjustment of the TRIGGERING LEVEL control. Failure of the oscilloscope to perform in this manner indicates improper adjustment of the TRIG. LEVEL CENT. control.

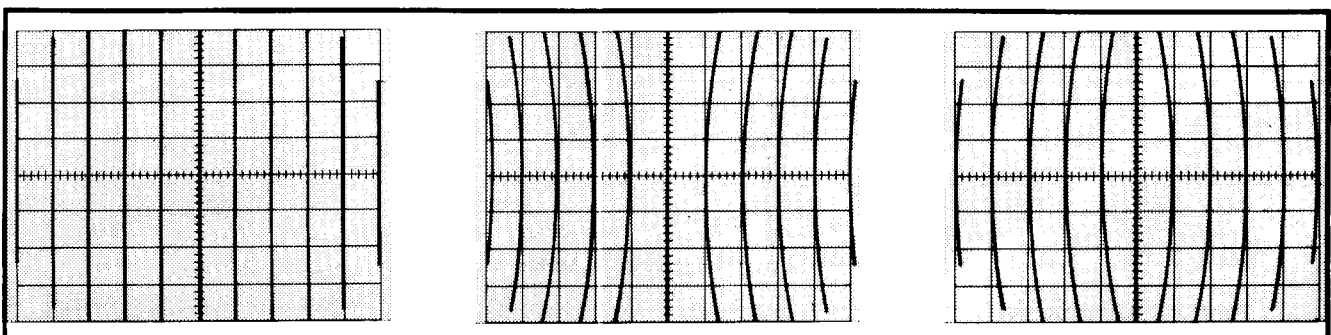


Fig. 6-2. Checking the crt geometry by displaying vertical lines. When the GEOM. ADJ. control is properly adjusted, the displayed lines will coincide with the graticule lines as shown in the picture at the left.

Calibration Procedure — Type RM/RS16

To prepare the oscilloscope for this adjustment, connect a jumper from the CAL. OUT connector to the INPUT connector, and set the front-panel controls as follows:

TRIGGER SELECTOR (red)	AC
TRIGGER SELECTOR (black)	+INT.
TRIGGERING LEVEL	0
STABILITY	*PRESET
DISPLAY	NORM.
TIME/DIV. (black)	.5 MILLISEC
TIME/DIV. (red)	CALIBRATED
VERTICAL POSITIONING	centered
HORIZONTAL POSITIONING	centered
CALIBRATOR	1
VOLTS/DIV. (black)	1
AC-DC	AC

*If your oscilloscope has not been calibrated for some time, it may be necessary to manually adjust the STABILITY control.

The control settings given above should result in a display of the calibrator waveform having a height of 1 major graticule division.

With a short clip lead, ground the junction of R26, R27, R28 and C25 (see Figure 6-3). Then, reduce the amplitude of the displayed signal with the VARIABLE VOLTS/DIV. control until the display disappears.

You will be able to return the display to the screen by slightly adjusting the TRIG. LEVEL CENT. control.

Continue to reduce the amplitude of the display until the vertical deflection is 2 minor divisions. Then, while switch-

ing the black TRIGGER SELECTOR knob back and forth between +INT. and -INT., slightly readjust the TRIG. LEVEL CENT. control to get stable triggering for both positions of the switch.

Remove the clip lead from the TRIGGER SELECTOR switch and check for reliable triggering in both positions of the black TRIGGER SELECTOR switch with the TRIGGERING LEVEL control set at 0. If the triggering point occurs at other than the 0 position, it will be necessary to loosen the set screw of the TRIGGERING LEVEL knob and rotate the knob to the 0 position (without rotating the shaft).

Instruments RM16 from S/N 860 and up; RS16 from S/N 202 and up.

In the above example of setting up the trigger circuit, adjusting the TRIG. LEVEL CENT control is mentioned. In the process, you now adjust a TRIG. SENS ADJ. pot along with the TRIG. LEVEL CENT. Make sure in adjusting the TRIG. SENS ADJ. that you keep the circuit as insensitive as you can, while still obtaining clean triggering.

8. Internal Trigger DC Level Centering

In the DC triggering mode, if the TRIGGERING LEVEL control is set at 0, the crt display should start at the center horizontal graticule marker when the black TRIGGER SELECTOR knob is set at +INT. or -INT. If this does not occur, need for adjustment of the INT. TRIG. DC LEVEL ADJ. control is indicated.

To make this adjustment, set the oscilloscope controls as described in Step 7 with the exception of the red TRIGGER SELECTOR knob. Set this control to DC. Do not disturb the setting of the TRIGGERING LEVEL control established during the last part of Step 7.

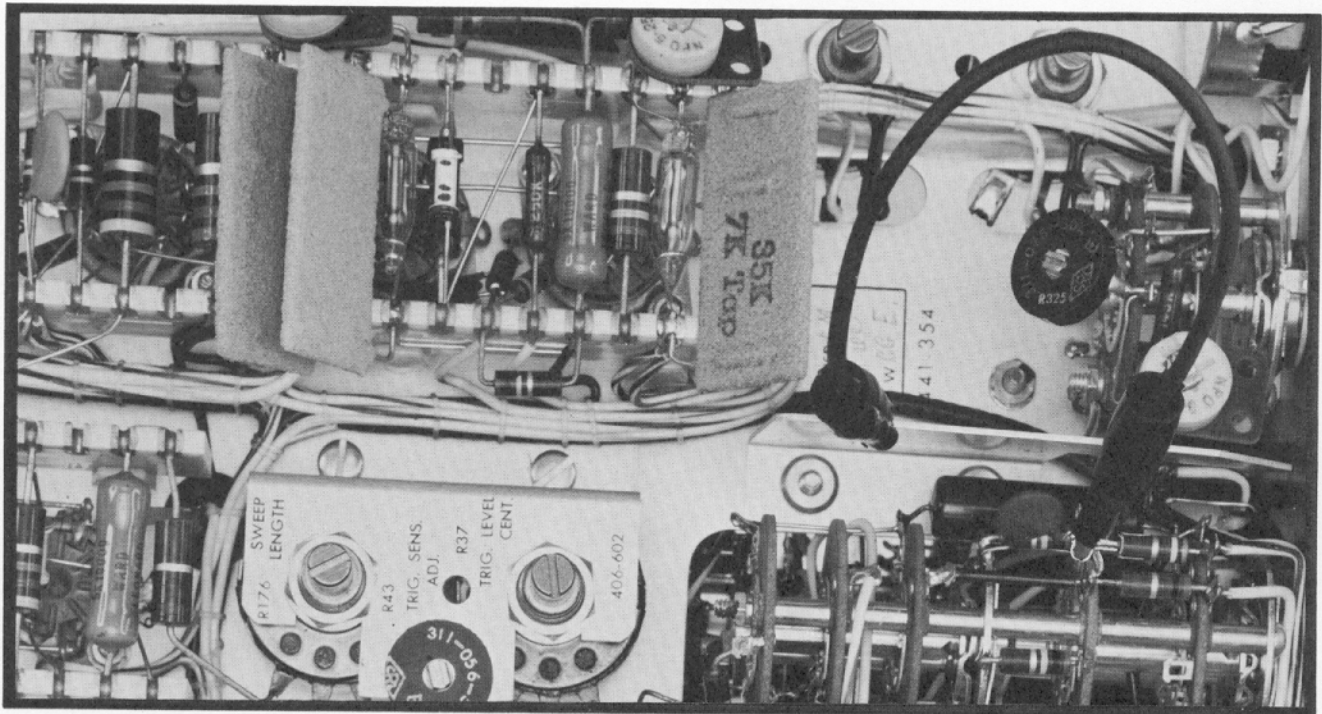


Fig. 6-3 Grounding the junction of R26, R27, R28 and C25. Connecting the shorting jumper as shown simplifies the adjustment of the TRIG. LEVEL CENTERING control.

As in Step 7, reduce the amplitude of the display with the VARIABLE VOLTS/DIV. control until the display disappears. This time, however, you must keep the display centered about the center horizontal graticule line as you decrease the amplitude. You will be able to return the display to the screen by slightly adjusting the INT. TRIG. DC LEVEL ADJ. control.

Continue to reduce the amplitude of the display until the vertical deflection is 3 minor divisions and the waveform is centered about the center horizontal graticule line. Then, while switching the black TRIGGER SELECTOR knob back and forth between +INT. and -INT. slightly readjust the INT. TRIG. DC LEVEL ADJ. control to get stable triggering for both positions of the switch.

9. Preset Stability

In the AUTO. mode of triggering, or when the STABILITY control is at PRESET, the PRESET STAB. control provides a stability setting suitable for most triggering applications. If you cannot get reliable triggering, when the STABILITY control is set at PRESET, but experience no difficulty in manually setting the control, the trouble is probably due to faulty adjustment of the PRESET STAB. control.

To make this adjustment, set the oscilloscope controls as described in Step 7 with the exception of the red TRIGGER SELECTOR knob. Do not connect a jumper from the CAL. OUT connector to the INPUT connector. Set the red TRIGGER SELECTOR knob to AUTO. Turn the PRESET STAB. control to its full-left (counterclockwise) position.

Now, slowly advance the PRESET STAB. control to the right until a trace appears on the crt screen. Note the Position of the screwdriver slot. Then, turn the PRESET STAB. control further to the right until the trace brightens. Finally, set the control to a position midway between the points where the trace appeared and where it brightened.

TIME-BASE GENERATOR

The time-base circuits should not require frequent re-adjustment. As a general rule, if the need for adjustment is indicated, you should first check all of the time-base ranges before making any adjustments. Often only one control is misadjusted, yet it may be the control for the range in which you first noticed the trouble.

If nonlinearity is present in the time-base, it will generally be confined to the first major division of horizontal deflection. Therefore, in these instructions, we recommend calibrating the time-base generator on the basis of time markers appearing between the second and ninth vertical graticule lines.

In the 6-step instructions that follow, all but two of the adjustments interact to some degree. The two exceptions are Steps 12 and 13. For this reason, it is important that you make the adjustments in proper sequence.

Some of the horizontal amplifier adjustments described in the following section affect the horizontal position of the crt display. As a result, it will be necessary to reposition the display with the HORIZONTAL POSITIONING control to keep the time markers properly positioned with respect to the graticule lines.

10. Magnifier Gain

The MAG. GAIN ADJ. control determines the gain of the horizontal amplifier when the DISPLAY switch is in the MAG. position. To make this adjustment, set the front-panel controls as follows:

TRIGGER SELECTOR (red)	AC
TRIGGER SELECTOR (black)	0
STABILITY	PRESET
DISPLAY	NORM.
TIME/DIV. (black)	1 MILLISEC
TIME/DIV. (red)	CALIBRATED
VERTICAL POSITIONING	centered
HORIZONTAL POSITIONING	centered

Next, connect the Time-Mark Generator to the INPUT connector, set the controls for 100-microsecond marker output and adjust the oscilloscope VOLTS/DIV. controls for a vertical deflection of approximately 2 major divisions. Center the display on the graticule with the POSITIONING controls.

To calibrate the magnifier circuits, turn the DISPLAY switch to MAG. and adjust the MAG. GAIN ADJ. control so that there are two time markers for every major graticule line. The MAG. GAIN ADJ. control is located on the plastic plate next to high voltage section of scope.

11. Horizontal Amplifier Gain

The HORIZ. GAIN ADJ. control R325, is part of a feedback circuit that reduces the gain of the horizontal amplifier by a factor of five when the DISPLAY switch is in the NORM. position.

To make this adjustment, set the front-panel controls as described in Step 10 with the exception of the TIME/DIV. switch. Set the control to .1 MILLISEC.

Display 100 microsecond markers from the Time-Mark Generator and adjust the HORIZ. GAIN ADJ. control so that each time-marker coincides with the vertical graticule line.

12. Sweep Length

The SWEEP LENGTH control prevents the beam from hitting the sides of the crt when the display is centered on the screen.

To make this adjustment, free-run the time-base generator at any convenient sweep rate in the millisecond range and adjust the SWEEP LENGTH control for a sweep length of 10.5 major divisions.

13. Magnifier Registration

When the NORM/MAG. REGIS. control is properly set, that part of the display immediately under the center vertical graticule line will remain there as the DISPLAY switch is turned from NORM. to MAG.

Prepare the oscilloscope for making this adjustment by turning the STABILITY control as far left as possible without

Calibration Procedure — Type RM/RS16

actuating the internal preset switch, and turn the red TRIGGER SELECTOR knob to any position other than AUTOMATIC. Next, turn the INTENSITY control to the right until a spot is just visible on the crt. With the POSITIONING controls, position the spot to the center of the crt.

Now, set the DISPLAY switch to MAG. and position the spot directly under the center graticule lines.

With the spot accurately centered on the crt screen, turn the DISPLAY switch to NORM. and adjust the NORM/MAG. REGIS control to return the spot to the center of the screen.

14. Setting of Horizontal Amplifier Compensation

Set up your scope controls as explained in Step 10, except for the TIME/DIV. switch which will be set at 50 μ sec. Apply 10 μ sec markers, 2 major divisions high, from your 180A Time-Mark Generator. Set the first left marker of the trace on the center graticule line. Now switch the TIME/DIV. switch to 0.1 msec and return the first left marker to the center line of the graticule by adjusting C310. Switch between 50 μ sec and 0.1 msec until the first left marker no longer moves. If you wish this step may be done with the 5X Mag. on. This will make for a finer adjustment.

15. High Sweep Rate Adjustments

Time-Mark Generator	Time/Div. Switch	Adjust	CRT Display	Display Switch
10 μ sec*	10 μ sec	C160E	1 mark/div.	NORM.
5 μ sec	5 μ sec	C160C	1 mark/div.	NORM.
1 μ sec	2 μ sec	C324 approximate adjustment	2 marks/div. (first major division only)	NORM.
1 μ sec	.5 μ sec	C160A	1 mark/ every 2 div.	NORM.
**10MC sine wave	.2 μ sec	C324	2 cycles/div.	NORM.
**50MC sine wave†	.2 μ sec	C350 and C372	2 cycles/div.	NORM.

* Set C358 to maximum capacitance before starting this adjustment.

** Externally trigger these adjustments with 100 μ s markers from the Time-Mark Generator.

† The 50 MC must be applied to one of the vertical plates of the CRT through a 100 pf capacitor.

The above adjustments interact with each other.

VERTICAL AMPLIFIER

In this section you will find instructions on how to perform six adjustments to the vertical amplifier. One of the adjustments (VARIABLE ATTEN. BAL.) is explained in the Operating Instructions and is repeated here for completeness. Of

the remaining five, Steps 17 and 18 are interacting, as are Steps 19 and 20. None of the adjustments listed in this section affect the operation of any other part of the oscilloscope.

16. Variable Attenuator Balance

This adjustment is performed by the operator of the oscilloscope during the course of normal operation. However, the maintenance technician must also make the adjustment before he can proceed to calibrate the vertical amplifier.

Misadjustment of the control is indicated if the entire crt display is positioned vertically as the variable attenuator control is rotated. To perform this adjustment, it is first necessary to get a horizontal reference trace on the crt. This can be done most easily by turning the red TRIGGER SELECTOR control to AUTO., and the TIME/DIV. switch to 1 MILLISEC.

With the trace vertically centered on the screen, adjust the VARIABLE ATTEN BAL. control so that the trace remains stationary as the red VOLTS/DIV. control is turned back and forth through its range.

17. Amplifier Gain

This adjustment determines the gain of the vertical amplifier and therefore, the calibration of the VOLTS/DIV. control.

To adjust the GAIN ADJ. control, first set the oscilloscope front panel controls as follows:

TRIGGER SELECTOR (red knob)	AUTO.
TRIGGER SELECTOR (back knob)	+INT.
TRIGGERING LEVEL	full left or right
STABILITY	PRESET
DISPLAY	NORM.
TIME/DIV. (black knob)	.5 MILLISEC
TIME/DIV. (red knob)	CALIBRATED
VERTICAL POSITIONING	centered
HORIZONTAL POSITIONING	centered
CALIBRATOR	.5
VOLTS/DIV. (black)	.1
VOLTS/DIV. (red)	CALIBRATED

Connect a jumper from the CAL. OUT connector to the VERTICAL INPUT connector.

Set the GAIN ADJ. control for five major divisions of vertical deflection.

18. Preampifier Gain

The PREAMP. GAIN ADJ. control determines the gain of the preamplifier and therefore the calibration of the VOLTS/DIV. switch in the .01, .02, and .05 positions.

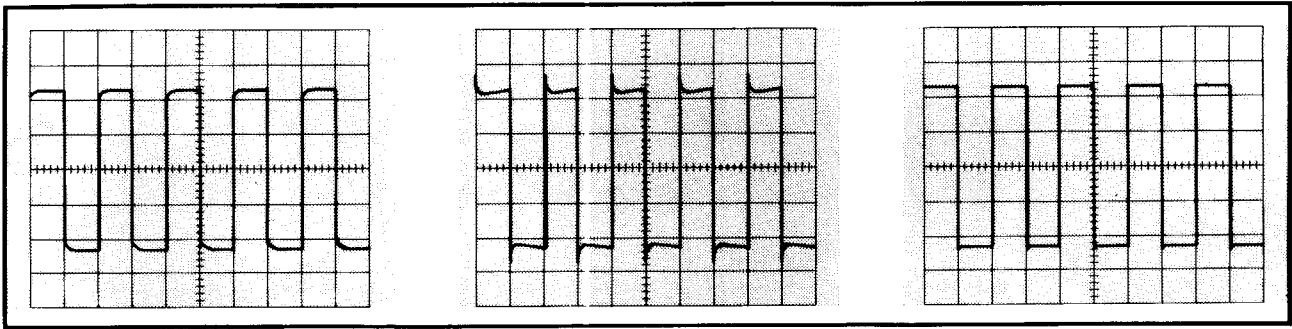


Fig. 6-4. Compensating the attenuator high-frequency response. When the attenuators are properly adjusted, the display of the Type 105 output waveform will be similar to the drawing at the right.

Set the oscilloscope controls as outlined in Step 17 with the exception of the VOLTS/DIV. and CALIBRATOR controls. Set these controls to .01 and .05 respectively. Connect a jumper from the CALIBRATOR connector to the VERTICAL INPUT connector.

Adjust the PREAMP. GAIN ADJ. controls for exactly 5 major divisions of vertical deflection.

VOLTS/DIV. Switch	Adjust For Optimum Square Corner	Adjust For Optimum Level Top
.2	C432	C430
.5	C426	C424
1	C418	C416
10	C412	C410
.02		C441

Check all the other ranges of the VOLTS/DIV. switch for the level top and square corner.

19. Attenuator High-Frequency Compensation (Square-Corner) and Input Capacitance (Flat Top).

Set the scope up as explained in Step 17 except AC-DC switch is set in DC position. Attach a probe cable to the scope's vertical INPUT connector. Now touch the end of the probe to the CAL OUT connector and hook the ground lead to the nearest ground. Adjust the VOLTS PEAK TO PEAK switch so that you display about 5 major divisions of signal. In the .1 position of the VOLTS/DIV. switch (black knob) adjust the compensation in the probe for a level top. The following table gives the adjustments, in the scope, for the other positions of the VOLTS/DIV. (black knob) switch.

20. Preamplifier Low-Frequency Compensation

Need for the adjustment of the LOW. FREQ. COMP. control is indicated by a loss of low frequency response. Waveforms indicative of this trouble are shown in Figure 6-5.

To make this adjustment, set the front-panel controls as outlined in Step 17 with the exception of the TIME/DIV. control—set this control to 10 MILLISEC. Connect a Type P510A or P6017 Probe to the VERTICAL INPUT connector. Set the Type 105 controls for a fifty-cycle output signal and connect a Type B52-R Terminating Resistor to the output connector. Connect the oscilloscope to the Type 105 by touching the probe tip to the center conductor of the coax

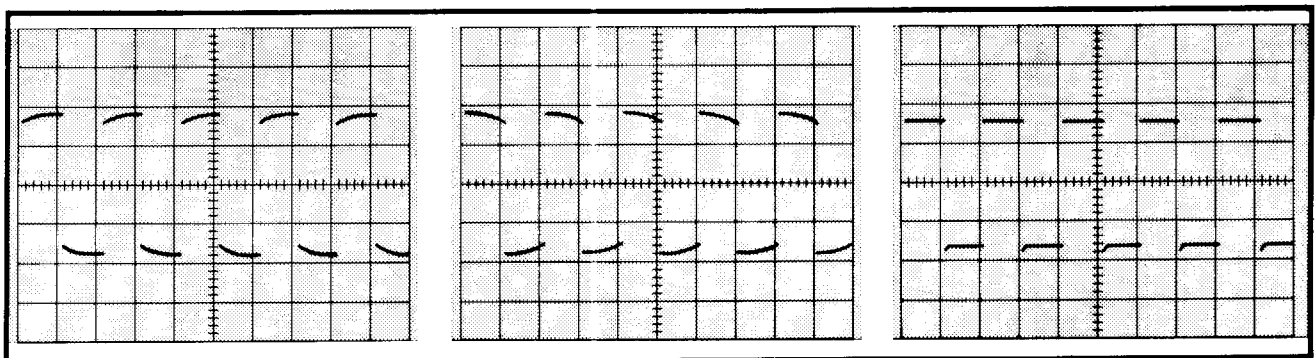


Fig. 6-5. Compensating the preamplifier low-frequency response. The right-hand drawing shows the resulting display of a 50 kc waveform when the LOW FREQ. COMP. control is correctly adjusted.

Calibration Procedure — Type RM/RS16

connector on the Terminating Resistor and fastening the ground clip to the case of the Terminating Resistor. If excessive hum is encountered, reinstall the bottom plate on the oscilloscope.

Make sure the vertical AC-DC switch is in AC. Note the slant on the top of the square-wave. Now turn the VOLTS/DIV. (black knob) to the .01 position and adjust the Low Freq. Comp. control for the same slant on the top of the square-wave.

DELAY LINE

Including Amplifier High-Frequency Compensation

Of all of the adjustments you may be called up to perform on the Type RM16-RS16, the adjustment of the delay line and the vertical-amplifier high-frequency compensation will be the most difficult. This is due largely to interaction between adjustments. There are 26 variable capacitors and 2 variable inductors associated with the delay line, and 6 variable inductors in the vertical amplifier. All of these adjustments interact to some degree.

Before attempting to perform any of the adjustments described in this section, read the instructions carefully until you are sure of what is to be done. Study the pictures and drawings to gain a clear mental picture of the result of each adjustment. Refer to the Circuit Description of this

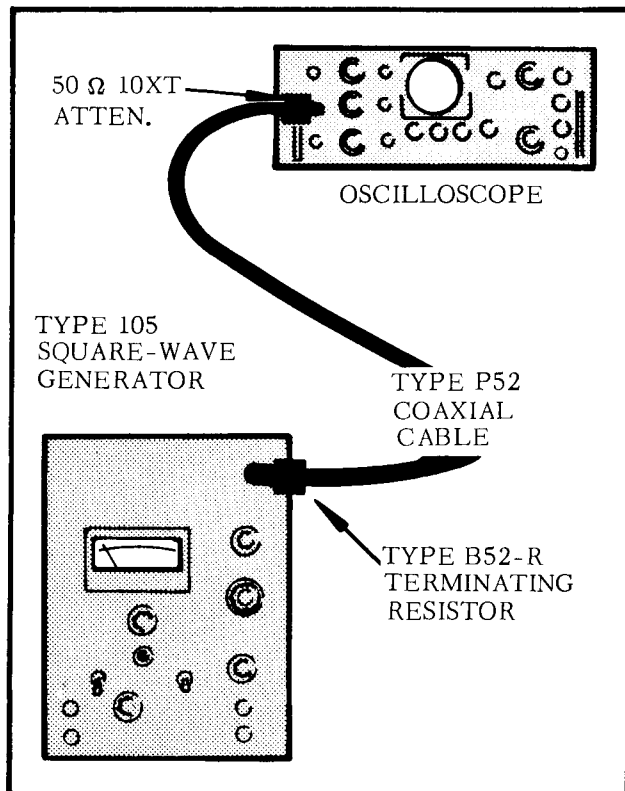


Fig. 6-6. Connecting the Type 105 Square-Wave Generator to the oscilloscope. The Type 105 requires the use of both a Terminating Resistor and 50-ohm 10:1 attenuator.

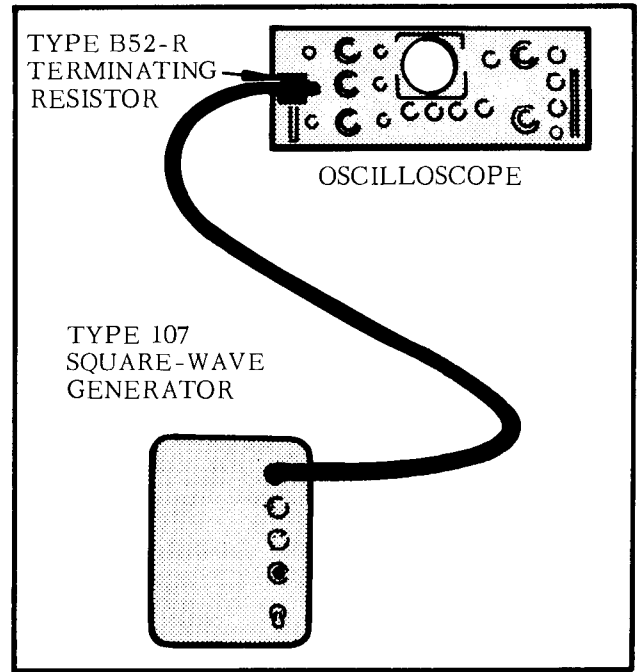


Fig. 6-7. Connecting the Type 107 Square-Wave Generator to the oscilloscope. Only the Terminating Resistor is necessary when connecting the Type 107 to the oscilloscope.

manual for an explanation of the operation of the Delay Line. Attempts to adjust the delay line without adequate preparation frequently lead to a misadjustment more severe than the initial condition.

Displaying the Test Signal

To determine the extent of misadjustment of the delay line in your instrument, you will need to closely examine a displayed 400-kilocycle square wave. The square wave used to make this examination must have a risetime of no more than 20 nanoseconds and must also be free of waveform irregularities during the positive half of the cycle. A Tektronix Type 107 or Type 105 Square-Wave Generator is recommended.

By following the recommendations in these instructions for terminating resistors and cables, you should not experience any difficulty in arriving at the desired results. If, however, it is necessary to use a signal generator other than a Type 105 or Type 107, you must exercise caution in connecting the instrument to the Type RM16-RS16. A good check on the suitability of your test equipment is to display the output waveform on another Tektronix oscilloscope (of a type having a delay line) known to be in good adjustment.

Fig. 6-6 and Fig. 6-7, show the desired methods for connecting either the Type 105 or the Type 107 Square-Wave Signal Generator to the Type RM16-RS16 input connector.

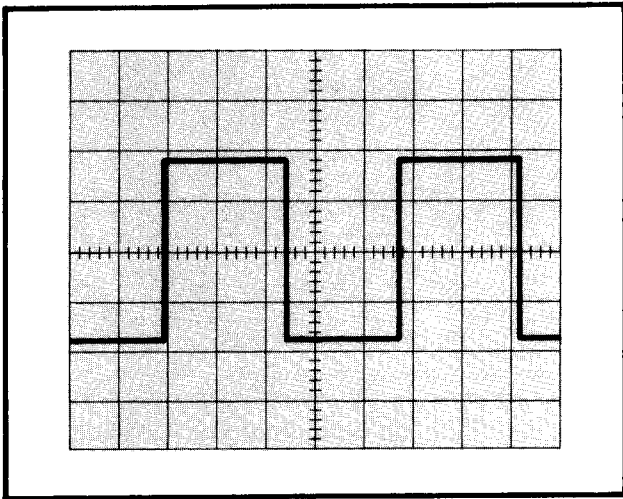


Fig. 6-8. The Type 107 output waveform displayed on a correctly adjusted Type RM16. The frequency of the displayed waveform is approximately 400 kc.

To display a 400-kilocycle waveform, set the square-wave generator controls for a 400-kilocycle output (a few degrees away from full-left on the Type 107 APPROXIMATE FREQUENCY control) and set the oscilloscope front-panel controls as follows:

TRIGGER SELECTOR (red)	AC
TRIGGER SELECTOR (black)	—INT.
STABILITY	PRESET
DISPLAY	NORM.
TIME/DIV. (black)	.5 μ SEC
TIME/DIV. (red)	CALIBBRATED
VOLTS/DIV. (black)	1
VOLTS/DIV. (red)	CALIBBRATED
AC-DC	DC

Adjust the TRIGGERING LEVEL control for a stable display and adjust the square-wave generator output-amplitude control for approximately 4 major divisions of vertical de-

flexion. Position the display so that it is similar to Fig. 6-8. You may have to adjust the square-wave generator output-frequency control slightly to get the desired number of cycles displayed on the crt screen.

There are three general characteristics which you will have to apprise, and to do this, you will need to use three different sweep rates. The first characteristic to look for is the "level" of the display; the second is the amount of "bumpiness" contained in the flat top of the displayed waveform; and the third is the "squareness" of the leading edge and corner of the displayed waveform.

Determining the "Level" of the Display

If the display of Fig. 6-8 were positioned on the screen so that the positive portion coincided with a graticule line, we would refer to the horizontal plane of the graticule line as the "level" of the display. If the crt trace coincided with the graticule line over the entire length of the positive half-cycle, we would say, "The display is level". If the leading corner were to fall below the graticule line, we would say, "The display has a downward slope."

Fig. 6-9 shows the three conditions described in the previous paragraph. Although it is possible to observe an upward or downward slope at a sweep rate of 0.5 μ sec/div, the "level" is most easily observed at 2 to 5 μ sec/div.

Determining the "Bumpiness" of the Display

The next characteristic to look for in the displayed waveform is the "bumpiness" of the first half of the positive portion; that is, the portion that is affected by the delay-line adjustments. To make this observation, you will use two sweep rates: 0.5 μ sec/div. and 0.2 μ sec/div.

There are two general types of bumps to be found in a poorly adjusted delay line. They are shown in Fig. 6-10. The first type is the irregularity caused by the misadjustment of a group of capacitors. This type is most easily observed at a sweep rate of 0.5 μ sec/div. If the bumps occur at random intervals along the delay line, they are probably due to misadjustment of the delay line and can usually be corrected by a few slight adjustments. However, if there is a certain rhythmic waviness or symmetry to their appearance,

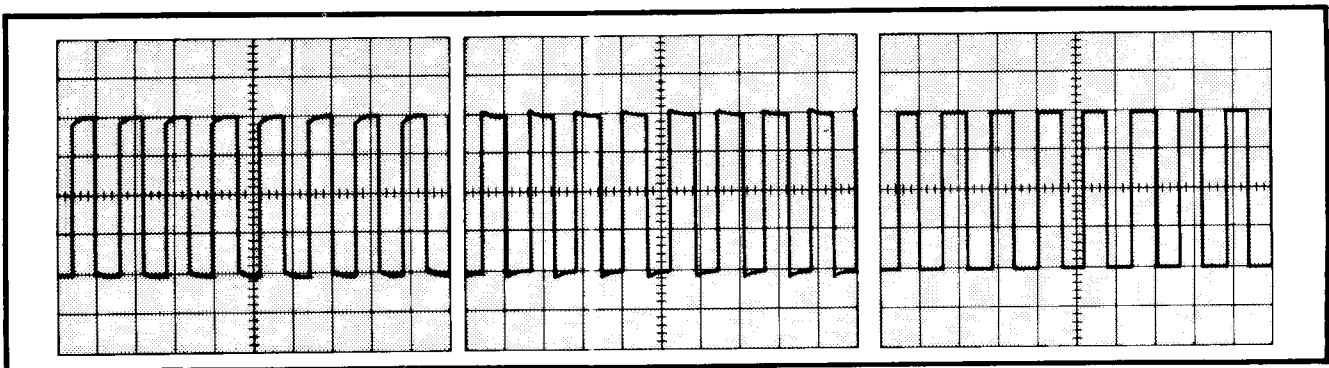


Fig. 6-9. Determining the "level" of a display. Departures from a "level" display occur as a result of the collective misadjustment of the delay-line capacitors. The "level" is most easily observed at a sweep rate of 2 or 5 μ sec/div.

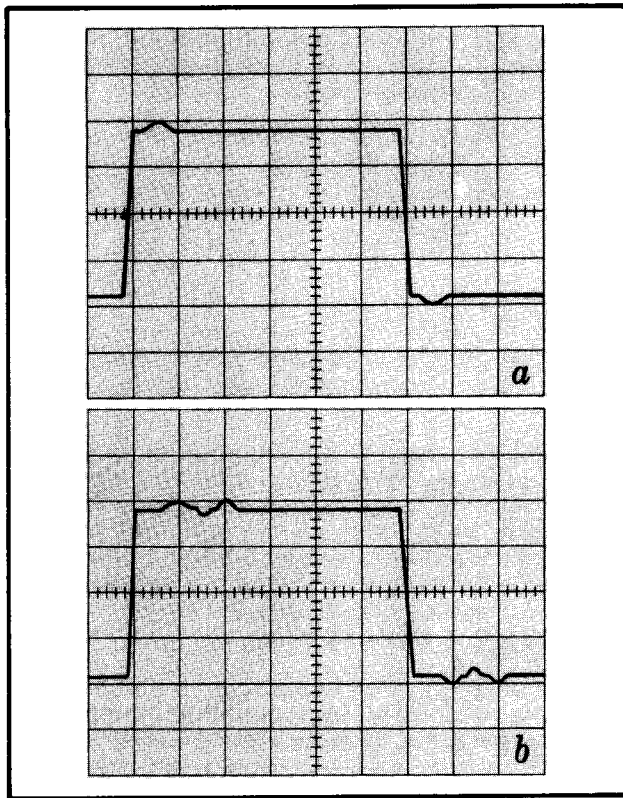


Fig. 6-10. Two types of "bumps" caused by delay-line misadjustment. The "bump" in waveform A is caused by the misadjustment of a group of capacitors. The bumps in waveform B are the result of the misadjustment of single capacitors.

the trouble may be due to a faulty adjustment in the terminating network or in the high-frequency compensation of the amplifier and a detailed adjustment may be necessary.

The second kind of bump is caused by misadjustment of a single delay-line capacitor. Use a sweep rate of $0.2 \mu\text{sec}/\text{div}$ to see bumps of this kind.

Determining the HF Response

The third characteristic to be investigated in the displayed waveform is the extreme leading edge and corner. This part

of the waveform is affected by the vertical-amplifier HF peaking coils and the delay-line adjustments collectively, they determine the high-frequency response of the vertical-deflection system and for that reason are of the utmost importance.

The "squareness" of the leading corner is best observed by turning the TIME/DIV. switch to $.2 \mu\text{SEC}$. The corner should be as sharp as possible with no overshoot. Fig. 6-11 shows the three possibilities. While it is necessary that the corner be as sharp as possible for optimum frequency response, it is also necessary that there be no wrinkling or "bumpiness" in this portion of the display.

There is a good deal of similarity in the effect of the amplifier peaking coils and the delay-line adjustments. For this reason, it is sometimes difficult to ascertain which adjustments are faulty. Perhaps the simplest way to determine the source of misadjustment is to check the physical position of each adjustment and compare it to Fig. 6-12.

ADJUSTMENT PROCEDURE

There are four major steps in adjusting the delay line and vertical amplifier of the Type RM16-RS16. They are: (1) physically presetting the adjustments, (2) establishing a level display, (3) removing the bumps and wrinkles from the display and (4) adjusting the high-frequency compensation. In the instructions that follow, we outline a method for performing these steps.

Physical Presetting

Perhaps the most important single bit of information for the novice is knowledge of the approximate positions of the various adjustments in a properly adjusted instrument. This knowledge will give him a good "starting" point. Later during the adjustment procedure, he can use the information as a check on his progress.

The variable inductors in the vertical amplifier can be preset according to Fig. 6-12. By positioning them as shown you will reduce the effects of the inductors during the delay-line adjustments procedure.

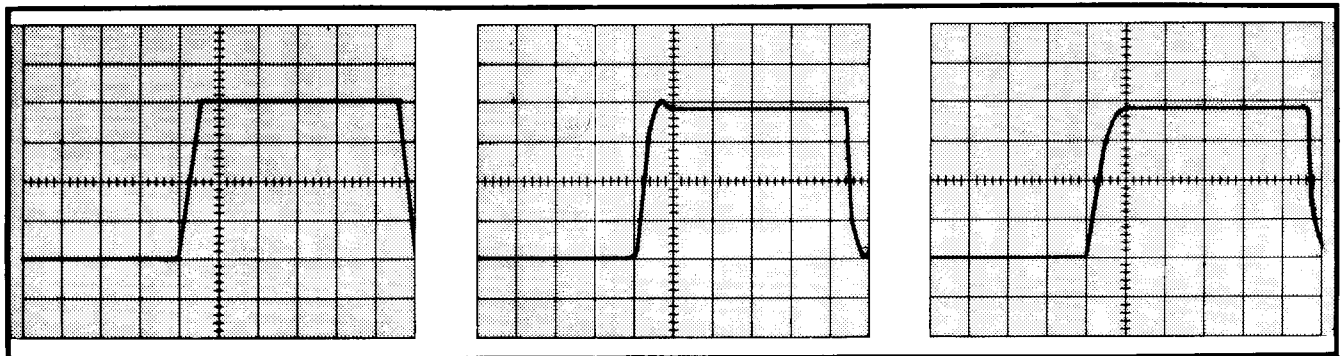


Fig. 6-11. Compensating the amplifier high-frequency response. The left-hand drawing is typical of an instrument in good adjustment. The right-hand waveform will usually be the result of physically presetting the adjustments as described in the text. The middle waveform is the result of overcompensation.

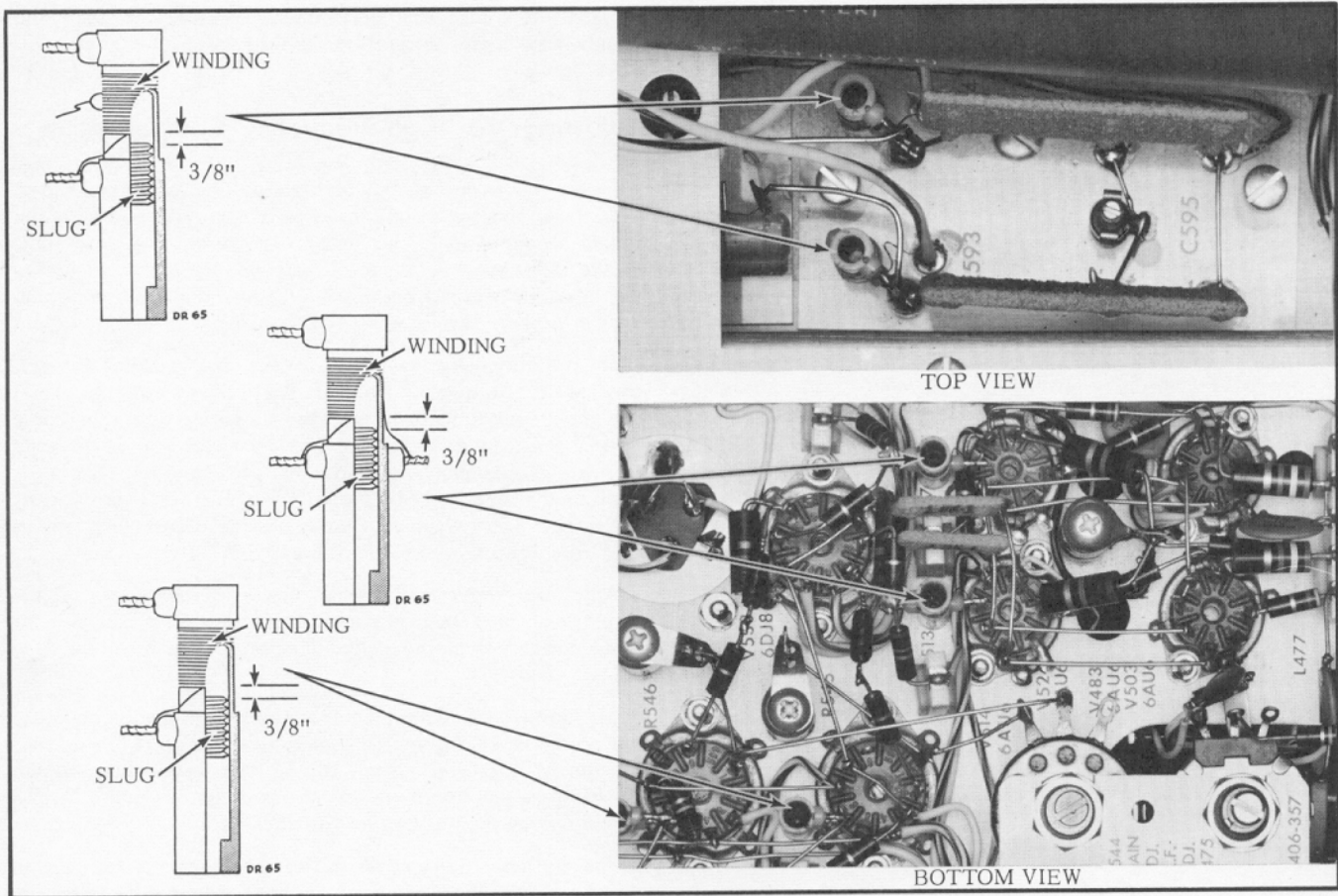


Fig. 6-12. Approximate physical positions of adjustments in a correctly adjusted instrument. Initially, the adjustments can be preset as shown above. During the recalibration procedure, they will be moved slightly.

If, in your preliminary investigation, you detected a cyclic waviness in the display, or if there was extreme overshoot at the leading edge, you will probably save yourself considerable time by presetting the variable inductors. Usually, turning the slugs too far out of the coil windings will only result in a rounding of the leading edge. On the other hand, turning the slugs too far into the coil windings will result in severe wrinkles in the displayed square-wave—wrinkles which can frequently be reduced by misadjusting the delay line. This might give you the impression that the delay line was at fault instead of the high-frequency peaking coils.

The variable capacitors in the delay line will not, as a rule, require presetting. If the performance of the instrument has deteriorated as a result of normal use and handling, the delay line should require only "touching up," and the original physical positions of the capacitors should be very nearly correct. On the other hand if the instrument has been tampered with, or if it has been subject to severe vibration or rough handling, it may be desirable to preset the delay-line capacitors as described in the following paragraph.

In a properly adjusted delay line, the adjusting screw extends above the capacitor body about $\frac{3}{8}$ inch. The important characteristic is that the tops of all the delay-line adjusting screws be at about the same height. It is very important

to keep this characteristic in mind as you adjust the delay line.

If you can observe a waviness in the heights of the adjusting screws (while, at the same time, the display is "level"), the trouble is probably due to misadjustment of the inductors in the vertical amplifier. In this event, you should recheck the physical positions of the slugs as described in the previous paragraphs.

The inductors and capacitors at the terminated (crt) end of the delay line are the first to be adjusted in the adjustment procedure and therefore are not usually preset. Should you have difficulty in adjusting the delay line, you can use the approximate positions shown in Fig. 6-12 as a guide to help you locate the source of trouble. The positions shown are typical of those in a properly adjusted instrument.

If, in the preliminary inspection, you noticed a bump following the Termination Bump (that is, on the portion of the delay line not normally affected by delay-line misadjustments), be sure to check the termination inductors for balance. The slugs in both inductors should be equidistant from the coil windings as shown in Fig. 6-12. When you adjust the slugs, be sure to adjust each slug the same amount.

Calibration Procedure — Type RM/RS16

As a final step in the Physical Presetting procedure, dress the leads to the crt vertical-deflection plates. They are to be uniformly spaced—both with respect to each other and with respect to the crt shield.

Establishing a "level" Display

The "level" of the flat top of the displayed square wave is determined by the collective effects of all of the delay-line capacitors. The characteristics to look for are described in the Preliminary Inspection section of these instructions and are shown in Fig. 6-9.

To make the display "level", you will need to adjust each delay-line capacitor a small amount in a direction that will result in a "level" display. Start at the termination network by adjusting the two inductors and the capacitor for minimum Termination Bump. Then advance from capacitor to capacitor on the delay line; working toward the amplifier end. During your first attempt, you will probably find it most convenient to use a sweep rate of $5 \mu\text{sec}/\text{div}$. After you have adjusted all of the capacitors to gain an average "level" over the length of the flat top of the displayed square-wave, you can advance the sweep rate to $2 \mu\text{sec}/\text{div}$. and repeat the procedure. This time, however, try to adjust the capacitors for a smooth transition from bump to bump while at the same time, maintaining a satisfactory "level". The important thing to remember is to reduce the amplitude of all of the bumps by the same amount and not to try to achieve a perfectly straight line at this time.

Removing the Bumps and Wrinkles

After you have established a "level" display with the amplitude of the bumps and wrinkles reduced to within a trace width of the "level" line, you can start to remove the wrinkles and bumps over smaller sections of the display.

Set the TIME/DIV. switch to $.5 \mu\text{SEC}$ and proceed to remove the bumps caused by the termination network. Do not try to arrive at a perfectly straight line during your first attempt. Just reduce the bumps by one half. Then, advance to the first group of 4 or 5 capacitors in the delay line and adjust them for a smooth line over the portion of the display that they affect. Keep in mind that each capacitor will only require a slight adjustment—a mere "touch"—and that it is the combined effect of the group of capacitors that you should be concerned with.

While you are adjusting a group of capacitors to remove a bump or wrinkle, be sure to frequently turn to a sweep rate of 2 or $5 \mu\text{sec}/\text{div}$. and check the level of the display.

Advance along the delay line from each group of capacitors to the next until you have traversed the entire length. Then, turn the TIME/DIV. switch to $.2 \mu\text{SEC}$ and repeat the process. This time, however, you must be extra careful. The capacitors that require adjustment will only need a slight touch—to do otherwise might nullify all of your efforts up to this point. Be sure to check the "level" of the display frequently. It is very easy to concentrate on removing a particularly stubborn bump and in so doing, introduce an upward or downward slope in the display.

At this point in the adjustment procedure, it will not be necessary to adjust each capacitor. "Touching up" here and there will probably produce the desired results.

Adjusting the High-Frequency Compensation

If you have successfully completed the adjustment procedure up to this point, the display on your oscilloscope should appear similar to Fig. 6-11. During this final part of the adjustment procedure, you will strive for a square corner of the leading edge, while at the same time maintaining the proper "level" without introducing wrinkles or bumps.

Set the TIME/DIV. switch at $.2 \mu\text{SEC}$ and position the display to afford a good view of the leading edge and corner. Each pair of inductors in the amplifier affect the same part of the display. It is very important that you adjust each inductor the same amount as its corresponding opposite. That is, the slug in L544 should be in the same position as the slug in L554 when you complete the adjustment. This is also true for the slugs in L513 and L527.

Adjust the inductors, in pairs, for a square corner on the display. It may be necessary to readjust the first two or three capacitors in the delay line to achieve a wrinkle-free corner.

L477 and L450 determine the high-frequency response of the preamplifier and must be adjusted separately. To do this, set the VOLTS/DIV. switch at $.01$ and reduce the output signal from the signal generator. If using a Type 107, substitute a Type B52L10 Pad for the B52R Terminating Resistor.

The coils are adjusted in the same manner as the coils in the main amplifier, however, do not adjust the delay-line capacitors. They are only to be adjusted when the VOLTS/DIV. switch is set at $.1$.

Main Amplifier Bandwidth

A good check on the completeness of your adjustments to the delay line and vertical amplifier is to measure the bandpass of the vertical-deflection system. To make this check, it is necessary to establish a reference deflection on the crt. Then, without altering the oscilloscope control settings or the amplitude of the input signal, increase the frequency of the input signal until the crt deflection is reduced to 0.71 of the reference deflection. The input signal frequency at this point will be the high-frequency 3-db-down point and represents the upper frequency limit of the bandpass.

To measure the bandpass of the main amplifier, connect the output of a Type 190 Constant-Amplitude Signal Generator to the Type RM16-RS16 input connector through a Type B52R Terminating Resistor. Set the front-panel controls of the instruments as follows:

TRIGGER SELECTOR (red)	AUTO.
TRIGGER SELECTOR (black)	+INT.
STABILITY	PRESET
TRIGGERING LEVEL	full right or full left
DISPLAY	NORM.

TIME/DIV.	1 MILLISEC
TIME/DIV. VARIABLE	CALIBRATED
VOLTS/DIV.	.1
VOLTS/DIV. VARIABLE	CALIBRATED
AC-DC	AC

Type 190:

RANGE SELECTOR	.35-.75 MC
RANGE IN MEGACYCLES	.50
ATTENUATOR	10
OUTPUT AMPLITUDE	See text

Adjust the Type 190 OUTPUT AMPLITUDE control for a vertical deflection of exactly four major divisions on the graticule. Then, turn the Type 190 RANGE SELECTOR to 9-21.

Next, without adjusting any other controls, advance the Type 190 RANGE IN MEGACYCLES control until you reach the point where the crt display is reduced to 2.8 major divisions. You may have to position the display with the VERTICAL POSITIONING control to make this measurement, but do not adjust any other controls.

With the vertical deflection reduced to 2.8 major divisions, read the high-frequency 3-db-down frequency directly from the dial of the Type 190. Typically, this frequency should fall within the range from 10 megacycles to 11 megacycles.

Preamplifier Bandwidth

To measure the bandwidth of the preamplifier, set the front-panel controls as described in the previous step with the exception of the VOLTS/DIV. switch and the Type 190 ATTENUATOR switch. Set these controls to .01 and 1, respectively. Adjust the Type 190 OUTPUT AMPLITUDE control for four major divisions of vertical deflection.

Increase the frequency of the Type 190 output signal, just as you did in the previous step, until the vertical deflection falls to 2.8 major divisions of deflection. Read the 3-db-down frequency directly from the dial of the Type 190. Typically, the upper frequency limit should be between 9 and 10.5 megacycles.

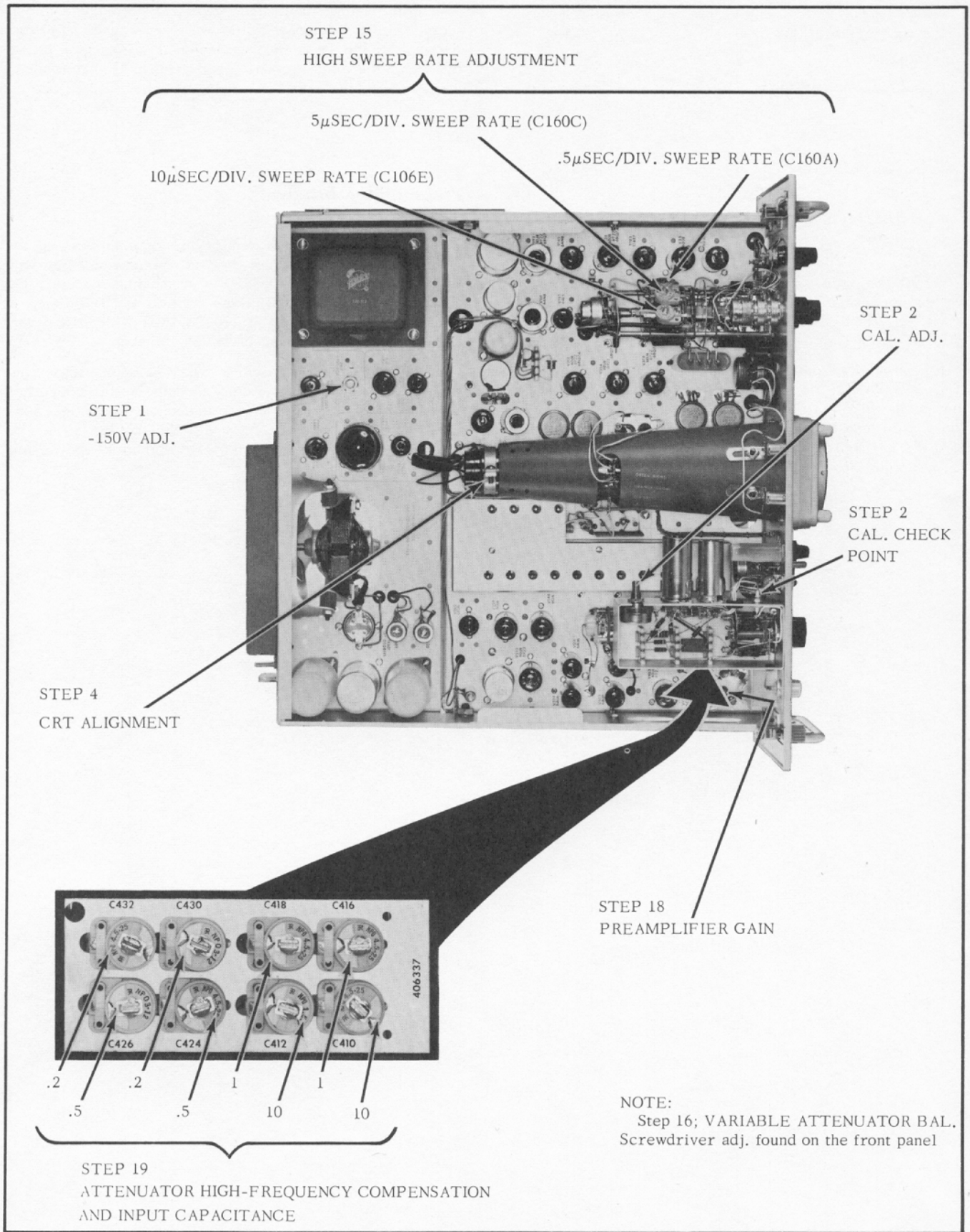


Fig. 6-13. Top View of Oscilloscope.

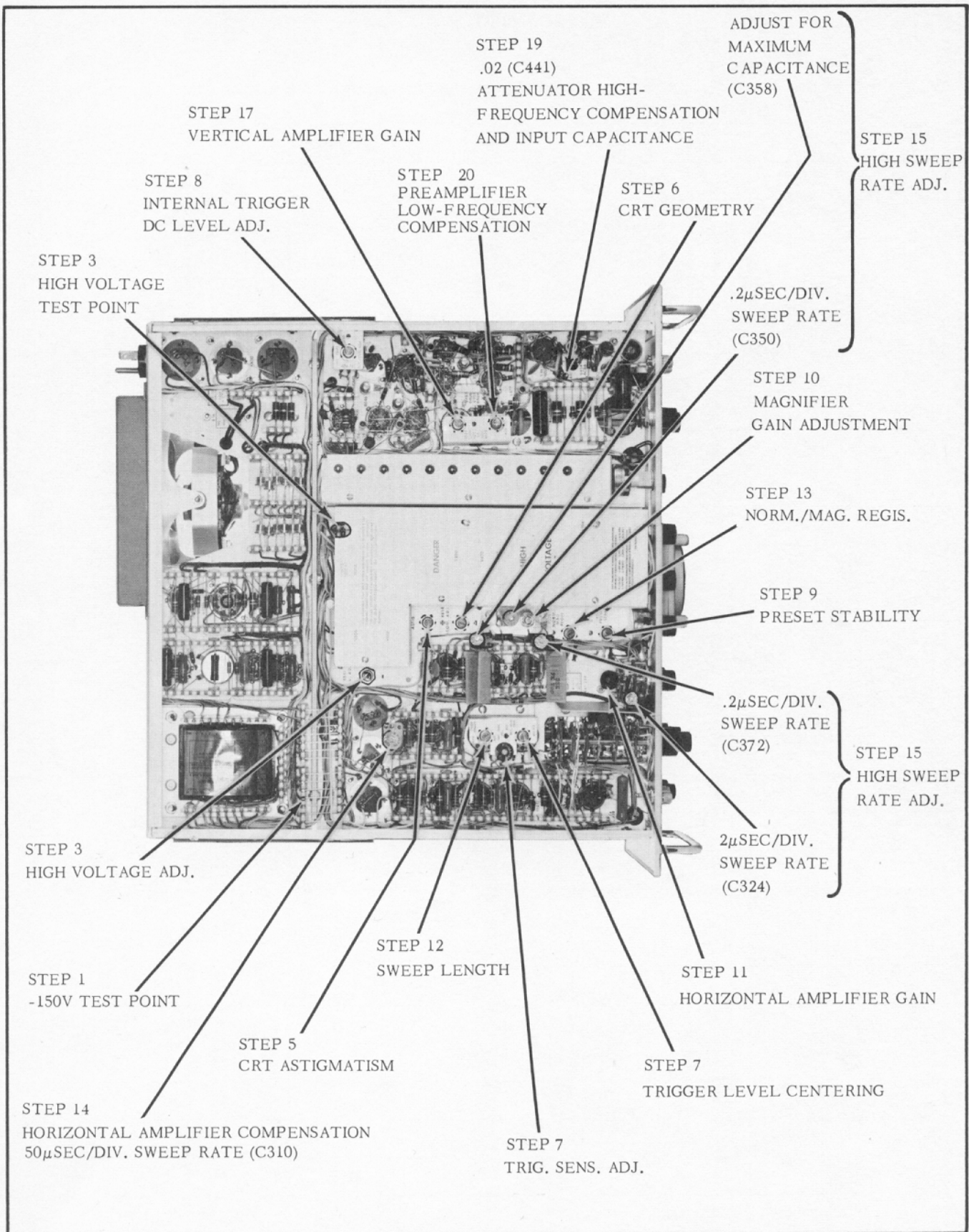
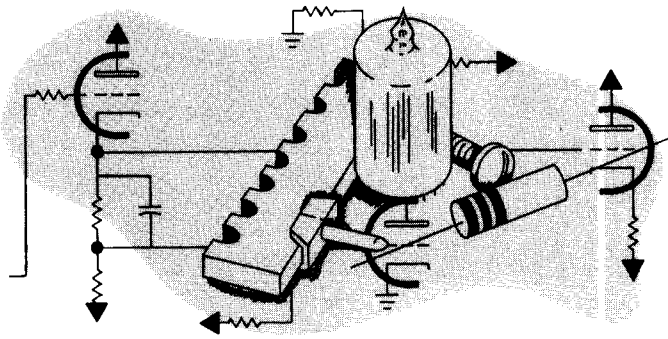


Fig. 6-14. Bottom View of Oscilloscope.



SECTION 8

PARTS LIST AND SCHEMATICS

ABBREVIATIONS

Cer.	Ceramic	n	Nano or 10^{-9}
Comp.	Composition	Ω	ohm
EMC	Electrolytic, metal cased	p	Pico or 10^{-12}
f	Farad	PTB	Paper, "Bathtub"
G	Giga, or 10^9	PMC	Paper, metal cased
GMV	Guaranteed minimum value	Poly.	Polystyrene
h	Henry	Prec.	Precision
K or k	Kilohms or kilo (10^3)	PT	Paper Tubular
M/Cer.	Mica or Ceramic	T	Terra or 10^{12}
M or meg	Megohms or mega (10^6)	v	Working volts DC
μ	Micro. or 10^{-6}	Var.	Variable
$\mu\mu$	Micromicro or 10^{-12}	w	Watt
m	milli or 10^{-3}	WW	Wire-wound

HOW TO ORDER PARTS

Replacement parts are available from or through your local Tektronix Field Office.

Changes to Tektronix instruments are sometimes made to accommodate improved components as they become available, and to give you the benefit of the latest circuit improvements developed in our engineering department. It is therefore important, when ordering parts, for your order to contain the following information: Part number including any suffix, instrument type, serial number, and modification number if applicable.

If a part you have ordered has been replaced with a new or improved part, your local Field Office will contact you concerning any change in part number.

ELECTRICAL PARTS LIST

Values are fixed unless marked Variable.

Bulbs

Ckt. No.	Tektronix Part Number	Description	S/N Range
B163	150-002	Neon, Type NE-2	UNCALIBRATED
B167	150-002	Neon, Type NE-2	
B170	150-002	Neon, Type NE-2	
B300	150-002	Neon, Type NE-2	MAG
B359	150-002	Neon, Type NE-2	
B379	150-002	Neon, Type NE-2	
B463	150-002	Neon, Type NE-2	UNCALIBRATED
B517	150-002	Neon, Type NE-2	Pilot Light
B600	150-018	Incandescent, GE Type #12	Graticule Light
B601	150-001	Incandescent, Type #47	Graticule Light
B602	150-001	Incandescent, Type #47	

Capacitors

Tolerance $\pm 20\%$ unless otherwise indicated.

Tolerance of all electrolytic capacitors are as follows (with exceptions):

3V - 50V = -10% +250%

51V - 350V = -10% +100%

351V - 450V = -10% +50%

C7	285-510	.01 μf	PTM	400 v		
C10	283-000	.001 μf	Discap	500 v	GMV	
C13	281-523	100 $\mu\mu\text{f}$	Cer.	350 v		X860-up
C14	283-000	.001 μf	Discap	500 v	GMV	
C23	283-003	.01 μf	Discap	150 v	GMV	
C25	283-003	.01 μf	Discap	150 v	GMV	
C35	281-542	18 $\mu\mu\text{f}$	Cer.	500 v	10%	
C43	283-001	.005 μf	Discap	500 v	GMV	X860-up
C131	281-513	27 $\mu\mu\text{f}$	Cer.	500 v		
C133	281-503	8 $\mu\mu\text{f}$	Cer.	500 v	$\pm .5 \mu\mu\text{f}$	
C138	283-001	.005 μf	Discap	500 v	GMV	
C141	281-544	5.6 $\mu\mu\text{f}$	Cer.	500 v	10%	
C144	283-001	.005 μf	Discap	500 v	GMV	
C150	281-521	56 $\mu\mu\text{f}$	Cer.	500 v	10%	
C160A	281-007	3-12 $\mu\mu\text{f}$	Cer.		Var.	
C160B	283-534	82 $\mu\mu\text{f}$	Mica	500 v	5%	
C160C	281-010	4.5-25 $\mu\mu\text{f}$	Cer.		Var.	
C160D	283-534	82 $\mu\mu\text{f}$	Mica	500 v	5%	
C160E	281-010	4.5-25 $\mu\mu\text{f}$	Cer.		Var.	
C160F	*291-008	.001 μf	Mylar			$\pm 1/2\%$
C160G		.01 μf	Mylar Timing Series			$\pm 1/2\%$
C160H	*291-007	.1 μf				
C160J		1 μf				
C165	281-525	470 $\mu\mu\text{f}$	Cer.	500 v		
C167	283-000	.001 μf	Discap	500 v	GMV	

Parts List—Type RM16

Capacitors (continued)

Ckt. No.	Tektronix Part Number		Description			S/N Range
C180A	283-509	180 $\mu\mu\text{f}$	Mica	500 v	10%	
C180B	285-543	.0022 μf	PTM	400 v		
C180C	285-515	.022 μf	PTM	400 v		
C180D	285-526	.1 μf	PTM	400 v		
C180E	285-526	.1 μf	PTM	400 v		
C181	281-516	39 $\mu\mu\text{f}$	Cer.	500 v	10%	
C191	283-000	.001 μf	Discap	500 v	GMV	
C195	281-506	12 $\mu\mu\text{f}$	Cer.	500 v	10%	101-268
	281-504	10 $\mu\mu\text{f}$	Cer.	500 v	10%	269-up
C310	281-010	4.5-25 $\mu\mu\text{f}$	Cer.	Var.		
C315	281-509	15 $\mu\mu\text{f}$	Cer.	500 v	10%	
C324	281-009	3-12 $\mu\mu\text{f}$	Cer.	Var.		
C333	281-526	1.5 $\mu\mu\text{f}$	Cer.	500 v	$\pm .5 \mu\mu\text{f}$	
C350 ¹	Use 281-011	6.8 $\mu\mu\text{f}$	Cer.	500 v		101-549
	281-011	5-25 $\mu\mu\text{f}$	Cer.	Var.		550-up
C358	281-013	8-50 $\mu\mu\text{f}$	Cer.	Var.		
C367	283-002	.01 μf	Cer.	500 v	GMV	
C372 ¹	Use 281-011	3-12 $\mu\mu\text{f}$	Cer.	Var.		101-549
	281-011	5-25 $\mu\mu\text{f}$	Cer.	Var.		550-up
C401	Use *285-556	.1 μf	MT	600 v		101-497
	*285-556	.1 μf	PTM	600 v		498-up
C403	283-000	.001 μf	Discap	500 v	GMV	
C410	281-010	4.5-25 $\mu\mu\text{f}$	Cer.	Var.		
C412	281-005	1.5-7 $\mu\mu\text{f}$	Cer.	Var.		
C414	283-543	250 $\mu\mu\text{f}$	Mica	500 v	5%	
C416	281-010	4.5-25 $\mu\mu\text{f}$	Cer.	Var.		
C418	281-010	4.5-25 $\mu\mu\text{f}$	Cer.	Var.		
C420	283-544	150 $\mu\mu\text{f}$	Mica	500 v	10%	
C424	281-010	4.5-25 $\mu\mu\text{f}$	Cer.	Var.		
C426	281-007	3-12 $\mu\mu\text{f}$	Cer.	Var.		
C430	281-007	3-12 $\mu\mu\text{f}$	Cer.	Var.		
C432	281-010	4.5-25 $\mu\mu\text{f}$	Cer.	Var.		
C436	281-543	270 $\mu\mu\text{f}$	Cer.	500 v	10%	
C441	281-027	.7-3 $\mu\mu\text{f}$	Tub.	Var.		
C445	283-001	.005 μf	Discap	500 v	GMV	
C446A,B,C	290-032	3 x 10 μf	EMC	350 v		X145-up
C446	290-000	6.25 μf	EMT	300 v		101-144X
C447	290-000	6.25 μf	EMT	300 v		101-144X
C454	290-030	500 μf	EMT	6 v		
C465	283-001	.005 μf	Discap	500 v	GMV	
C467	290-000	6.25 μf	EMT	300 v		101-144X
C471	285-526	.1 μf	PTM	400 v		
C482	283-000	.001 μf	Discap	500 v	GMV	
C483	281-500	2.2 $\mu\mu\text{f}$	Cer.	500 v	$\pm .5 \mu\mu\text{f}$	
C484	283-001	.005 μf	Discap	500 v	GMV	
C490	283-001	.005 μf	Discap	500 v	GMV	

¹ S/N 101-549 C350 and C372 must be replaced at the same time.

Capacitors (continued)

Ckt. No.	Tektronix Part Number		Description			S/N Range
C494	283-002	.01 μf	Discap	500 v	GMV	
C507	283-003	.01 μf	Discap	150 v	GMV	
C556	281-547	2.7 $\mu\mu\text{f}$	Cer.	500 v	10%	
C562	283-001	.005 μf	Discap	500 v	GMV	
C567	281-027	.7-3 $\mu\mu\text{f}$	Tub.			
						Var.
C568	281-537	.68 $\mu\mu\text{f}$	Cer.	500 v		$\pm .136 \mu\mu\text{f}$
C569	281-027	.7-3 $\mu\mu\text{f}$	Tub.			
C571-93	281-027 (23)	.7-3 $\mu\mu\text{f}$	Tub.			
C595	281-027	.7-3 $\mu\mu\text{f}$	Tub.			
C601	290-044	125 μf	EMC	350 v		
C603	285-510	.01 μf	PTM	400 v		
C614	285-510	.01 μf	PTM	400 v		
C630	290-052	125 μf	EMC	350 v		
C638	285-510	.01 μf	PTM	400 v		
C660	290-044	125 μf	EMC	350 v		
C668	285-511	.01 μf	PTM	600 v		
C701A,B	290-037	2 x 20 μf	EMC	450 v		
C703	290-036	2 x 20 μf	EMC	450 v		
C750	290-050	2 x 1000 μf	EMC	15 v		
C751	283-004	.02 μf	Discap	150 v	GMV	
C790	283-003	.01 μf	Discap	150 v	GMV	101-447
	283-004	.02 μf	Discap	150 v	GMV	448-up
C791	283-004	.02 μf	Discap	150 v	GMV	X448-up
C801	283-000	.001 μf	Discap	500 v	GMV	
C805	285-515	.022 μf	PTM	400 v		
C810	283-002	.01 μf	Discap	500 v	GMV	
C811	285-502	.001 μf	PTM	1000 v		
C822	285-513	.015 μf	PTM	3000 v		101-519
	283-011	.01 μf	Discap	2000 v		520-up
C824	285-508	.0068 μf	PTM	3000 v		101-579
	283-011	.01 μf	Discap	2000 v		580-up
C826	283-011	.01 μf	Discap	2000 v		X520-up
C832	283-002	.01 μf	Discap	500 v	GMV	
C833	285-513	.015 μf	PTM	3000 v		101-519
	283-011	.01 μf	Discap	2000 v		520-up
C834	285-508	.0068 μf	PTM	3000 v		101-579
	283-011	.01 μf	Discap	2000 v		580-up
C848	285-513	.015 μf	PTM	3000 v		101-519
	283-011	.01 μf	Discap	2000 v		520-up
C852	283-001	.005 μf	Discap	500 v	GMV	
C856	283-001	.005 μf	Discap	500 v	GMV	
C872	283-518	330 $\mu\mu\text{f}$	Mica	500 v	10%	
C876	283-518	330 $\mu\mu\text{f}$	Mica	500 v	10%	
C885	281-548	27 $\mu\mu\text{f}$	Cer.	500 v		

Diodes

D131	152-008	T12G				X860-up
D162A,B	152-047	Silicon Diode				X448-up
D442	152-008	T12G				X448-up
D602A,B,C,D	152-047	Silicon Diode				X364-up

Parts List—Type RM16

Diodes (continued)

Ckt. No.	Tektronix Part Number	Description	S/N Range
D632A,B,C,D	152-047	Silicon Diode	X364-up
D662A,B,C,D	152-047	Silicon Diode	X364-up

Fuses

F601	159-005	3 Amp 3 AG Slo-Blo 117 v oper. 50 & 60 cycle
	159-003	1.6 Amp 3 AG Slo-Blo 234 v oper. 50 & 60 cycle

Inductors

L450	*114-086	23-55 μ h	Var.
L457	*108-054	6.4 μ h	
L477	*114-051	.9-1.6 μ h	Var.
L513	*114-076	15-30 μ h	Var.
L527	*114-076	15-30 μ h	Var.
L540	*108-088	3.2 μ h	101-363
	*108-103	2.5 μ h	364-up
L544	*114-077	12-25 μ h	Var.
L550	*108-088	3.2 μ h	101-363
	*108-103	2.5 μ h	364-up
L554	*114-077	12-25 μ h	Var.
L574	*108-124	Delay Line, 10 Sec.	
L575	*108-124	Delay Line, 10 Sec.	
L583	*108-146	5 μ h on 15 meg, $\frac{1}{2}$ w resistor	
L584	*108-146	5 μ h on 15 meg, $\frac{1}{2}$ w resistor	
L585	*108-124	Delay Line, 10 Sec.	
L586	*108-124	Delay Line, 10 Sec.	
L589 ¹	Use *108-088	2.5 μ h	101-469
	*108-088	3.2 μ h	470-up
L590 ¹	Use *108-088	2.5 μ h	101-469
	*108-088	3.2 μ h	470-up
L591	*108-140	Delay Line, 4 Sec.	
L592	*108-140	Delay Line, 4 Sec.	
L593	*114-075	17-34 μ h	Var.
L594	*114-075	17-34 μ h	Var.

Rectifiers²

SR454	*106-037	1-100 ma plate/leg	101-447X
SR601	*106-015	5-100 ma plates/leg	101-363X
SR630	*106-031	5-250 ma plates/leg	101-363X
SR660	*106-030	6-250 ma plates/leg	101-363X
SR750	*106-038	1-250 ma plate/leg	101-447X

¹ S/N 101-469 L589 and L590 must be replaced at the same time.

² S/N 448-up See D162 and D442. S/N 364-up See D602, D632 and D662.

A Mod Kit is available to convert from Selenium Rectifiers to Silicon Diodes. Order Mod Kit #040-216.

Resistors

Resistors are fixed, composition, $\pm 10\%$ unless otherwise indicated.

Ckt. No.	Tektronix Part Number		Description			S/N Range
R9	302-105	1 meg	$\frac{1}{2}$ w			
R10	302-474	470 k	$\frac{1}{2}$ w			
R12	302-101	100 Ω	$\frac{1}{2}$ w			
R13	302-392	3.9 k	$\frac{1}{2}$ w			X860-up
R14	302-270	27 Ω	$\frac{1}{2}$ w			
R15	302-562	5.6 k	$\frac{1}{2}$ w			101-859
	302-392	3.9 k	$\frac{1}{2}$ w			860-up
R17	308-081	20 k	8 w	WW	5%	
R19	302-101	100 Ω	$\frac{1}{2}$ w			
R22	302-104	100 k	$\frac{1}{2}$ w			
R23	302-101	100 Ω	$\frac{1}{2}$ w			
R24	302-224	220 k	$\frac{1}{2}$ w			
R25	302-104	100 k	$\frac{1}{2}$ w			
R26	302-395	3.9 meg	$\frac{1}{2}$ w			
R27	302-824	820 k	$\frac{1}{2}$ w			
R28	302-105	1 meg	$\frac{1}{2}$ w			
R29 ¹	311-099	100 k	$\frac{1}{2}$ w	Var.		TRIGGERING LEVEL
R31	302-225	2.2 meg	$\frac{1}{2}$ w			
R32	302-102	1 k	$\frac{1}{2}$ w			
R33	301-332	3.3 k	$\frac{1}{2}$ w		5%	101-859
	301-222	2.2 k	$\frac{1}{2}$ w		5%	860-up
R35	302-154	150 k	$\frac{1}{2}$ w			
R36	302-124	120 k	$\frac{1}{2}$ w			
R37	311-026	100 k	2 w	Var.		TRIGGERING LEVEL CENTERING
R39	302-101	100 Ω	$\frac{1}{2}$ w			
R40	302-821	820 Ω	$\frac{1}{2}$ w			
R41	302-105	1 meg	$\frac{1}{2}$ w			
R42	305-113	11 k	2 w		5%	101-859
	304-223	22 k	1 w			860-up
R43	311-056	500 Ω	.1 w	Var.		X860-up
R44	304-223	22 k	1 w			X860-up
R110 ¹	311-099	500 k	$\frac{1}{2}$ w	Var.		STABILITY
R111	311-026	100 k	2 w	Var.		PRESET STABILITY
R114	302-104	100 k	$\frac{1}{2}$ w			
R115	301-273	27 k	$\frac{1}{2}$ w		5%	
R116	301-393	39 k	$\frac{1}{2}$ w		5%	
R131	302-472	4.7 k	$\frac{1}{2}$ w			
R132	302-101	100 Ω	$\frac{1}{2}$ w			
R133	303-362	3.6 k	1 w		5%	
R134	303-362	3.6 k	1 w		5%	
R135	302-101	100 Ω	$\frac{1}{2}$ w			
R138	302-101	100 Ω	$\frac{1}{2}$ w			
R140	302-470	47 Ω	$\frac{1}{2}$ w			

¹ R29 and R110 are concentric with R330 and SW110. Furnished as a unit.

Parts List—Type RM16

Resistors (continued)

Ckt. No.	Tektronix Part Number		Description				S/N Range
R141	303-433	43 k	1 w			5%	
R142	303-333	33 k	1 w			5%	
R143	308-054	10 k	5 w		WW	5%	
R144	302-101	100 Ω	1/2 w				
R145	302-105	1 meg	1/2 w				
R146	302-470	47 Ω	1/2 w				
R147	302-681	680 Ω	1/2 w				101-432
	302-102	1 k	1/2 w				433-up
R148	304-154	150 k	1 w				
R150	302-681	680 Ω	1/2 w				
R159	302-105	1 meg	1/2 w				X550-up
R160A	309-045	100 k	1/2 w		Prec.	1%	
R160B	309-051	200 k	1/2 w		Prec.	1%	
R160C	309-003	500 k	1/2 w		Prec.	1%	
R160D	309-014	1 meg	1/2 w		Prec.	1%	
R160E	309-023	2 meg	1/2 w		Prec.	1%	
R160F	309-087	5 meg	1/2 w		Prec.	1%	
R160G	309-095	10 meg	1/2 w		Prec.	1%	
R160H	309-095	10 meg	1/2 w		Prec.	1%	
R160J	309-095	10 meg	1/2 w		Prec.	1%	
R161	302-822	8.2 k	1/2 w				
R162	311-083	20 k	2 w	Var.		VARIABLE	101-363
	311-108	20 k	2 w	Var.	WW		364-up ¹
R163	302-104	100 k	1/2 w				
R164	302-101	100 Ω	1/2 w				
R165	304-473	47 k	1 w				
R166	304-473	47 k	1 w				
R167	302-155	1.5 meg	1/2 w				
R168	302-224	220 k	1/2 w				
R170	302-101	100 Ω	1/2 w				
R173	308-054	10 k	5 w		WW	5%	
R174	304-222	2.2 k	1 w				
R176	311-008	2 k	2 w	Var.		SWEEP LENGTH	
R178	308-052	6 k	5 w		WW	5%	
R180A	302-474	470 k	1/2 w				
R180B	302-475	4.7 meg	1/2 w				
R181	302-475	4.7 meg	1/2 w				
R183	302-101	100 Ω	1/2 w				
R191	302-104	100 k	1/2 w				
R192	302-470	47 Ω	1/2 w				
R193	302-470	47 Ω	1/2 w				
R194	304-104	100 k	1 w				
R195	304-153	15 k	1 w				101-268
	Use 303-183	18 k	1 w				269-869
	303-183	18 k	1 w			5%	870-up
R196	Use 305-333	33 k	2 w				101-869
	305-333	33 k	2 w			5%	870-up

¹ Concentric with SW160. Furnished as a unit.

Resistors (continued)

Ckt. No.	Tektronix Part Number		Description			S/N Range
R197	302-470	47 Ω	$\frac{1}{2}$ w			
R199	302-103	10 k	$\frac{1}{2}$ w			
R300	302-104	100 k	$\frac{1}{2}$ w			
R310	309-021	1.84 meg	$\frac{1}{2}$ w		Prec.	1%
R311	309-017	1.5 meg	$\frac{1}{2}$ w		Prec.	1%
R314A,B	311-090	2 x 20 k	2 w	Var.	WW	
R315	302-561	560 Ω	$\frac{1}{2}$ w			
R316	302-470	47 Ω	$\frac{1}{2}$ w			
R318	306-473	47 k	2 w			
R324	Use 309-092	150 k	$\frac{1}{2}$ w		Prec.	1% 101-363
	309-092	143 k	$\frac{1}{2}$ w		Prec.	1% 364-up
R325	311-078	50 k	.1 w	Var.		HORIZ. GAIN ADJ.
R330 ¹	311-099	100 k	$\frac{1}{2}$ w	Var.		HORIZ. INPUT ATTEN.
R333	309-126	400 k	$\frac{1}{2}$ w		Prec.	1%
R334	309-109	250 k	$\frac{1}{2}$ w		Prec.	1%
R335	311-023	50 k	2 w	Var.		NORM/MAG. REGIS
R337	302-470	47 Ω	$\frac{1}{2}$ w			
R340	306-683	68 k	2 w			
R344	302-470	47 Ω	$\frac{1}{2}$ w			
R350	*310-507	6-30 k	5 w		Mica Plate	1% 101-363
	*310-524	7-35 k	5 w		Mica Plate	1% 364-up
R351	302-470	47 Ω	$\frac{1}{2}$ w			
R353	303-153	15 k	1 w			5%
R354	308-054	10 k	5 w		WW	5%
R356	303-153	15 k	1 w			5%
R358	311-086	2.5 k	.5 w	Var.		MAG. GAIN ADJ.
R359	*310-512	41.5 k	5 w		Mica Plate	1%
R365	304-223	22 k	1 w			
R366	302-104	100 k	$\frac{1}{2}$ w			
R367	302-562	5.6 k	$\frac{1}{2}$ w			
R370	302-470	47 Ω	$\frac{1}{2}$ w			
R372	*310-524	7-35 k	5 w		Mica Plate	1%
R374	302-470	47 Ω	$\frac{1}{2}$ w			
R379	304-274	270 k	1 w			
R403	302-100	10 Ω	$\frac{1}{2}$ w			
R412	309-013	990 k	$\frac{1}{2}$ w		Prec.	1%
R414	309-034	10.1 k	$\frac{1}{2}$ w		Prec.	1%
R418	309-111	900 k	$\frac{1}{2}$ w		Prec.	1%
R420	309-046	111 k	$\frac{1}{2}$ w		Prec.	1%
R422	302-270	27 Ω	$\frac{1}{2}$ w			
R426	309-110	800 k	$\frac{1}{2}$ w		Prec.	1%
R428	309-109	250 k	$\frac{1}{2}$ w		Prec.	1%
R432	309-003	500 k	$\frac{1}{2}$ w		Prec.	1%
R434	309-014	1 meg	$\frac{1}{2}$ w		Prec.	1%
R436	302-220	22 Ω	$\frac{1}{2}$ w			
R441 ²	*312-583	1 meg	$\frac{1}{2}$ w		Prec.	1%

¹ Concentric with R29, R110 and SW110. Furnished as a unit.² R441 matched to within .1% of R483. Furnished as a unit.

Parts List—Type RM16

Resistors (continued)

Ckt. No.	Tektronix Part Number		Description			S/N Range
R443	302-470	47 Ω	$\frac{1}{2}$ w			
R444	302-223	22 k	$\frac{1}{2}$ w			
R445	302-101	100 Ω	$\frac{1}{2}$ w			
R446	306-123	12 k	2 w			
R450	*310-539	3 k	$\frac{1}{2}$ w		Mica Plate	1%
R452	308-024	15 k	10 w		WW	5%
R454	311-097	200 Ω	.5 w	Var.		PREAMP GAIN ADJ.
R457	302-470	47 Ω	$\frac{1}{2}$ w			
R463	306-223	22 k	2 w			
R465	302-470	47 Ω	$\frac{1}{2}$ w			
R466	302-102	1 k	$\frac{1}{2}$ w			
R467	301-154	150 k	$\frac{1}{2}$ w			5%
R468	301-204	200 k	$\frac{1}{2}$ w			5%
R471	304-822	8.2 k	1 w			
R474	302-394	390 k	$\frac{1}{2}$ w			
R475	311-042	2 meg	2 w	Var.		L. F. ADJ.
R483 ¹	*312-583	1 meg	$\frac{1}{2}$ w		Prec.	.1%
R484	302-104	100 k	$\frac{1}{2}$ w			
R487	302-470	47 Ω	$\frac{1}{2}$ w			
R490	302-470	47 Ω	$\frac{1}{2}$ w			
R493	304-393	39 k	1 w			
R494	302-470	47 Ω	$\frac{1}{2}$ w			
R495	304-393	39 k	1 w			
R501	311-034	500 k	2 w	Var.		VAR. ATTEN. BAL.
R503	302-394	390 k	$\frac{1}{2}$ w			
R505	302-475	4.7 meg	$\frac{1}{2}$ w			
R506	302-392	3.9 k	$\frac{1}{2}$ w			
R507	302-470	47 Ω	$\frac{1}{2}$ w			
R510	302-100	10 Ω	$\frac{1}{2}$ w			
R512	302-122	1.2 k	$\frac{1}{2}$ w			
R513	*310-533	1.8 k	$\frac{1}{2}$ w		Mica Plate	1%
R516	Use 050-043	780 Ω		Var.	WW	VARIABLE
R516 ²	*311-281	780 Ω		Var.	WW	VARIABLE
R517	302-104	100 k	$\frac{1}{2}$ w			
R519	304-103	10 k	1 w			
R520	304-103	10 k	1 w			
R523	308-007	8 k	5 w		WW	5%
R525	302-100	10 Ω	$\frac{1}{2}$ w			
R527	*310-533	1.8 k	$\frac{1}{2}$ w		Mica Plate	1%
R530	302-823	82 k	$\frac{1}{2}$ w			
R531	311-028	2 x 100 k	2 w	Var.		VERTICAL POS.
R532	302-823	82 k	$\frac{1}{2}$ w			
R533	302-100	10 Ω	$\frac{1}{2}$ w			
R534	302-100	10 Ω	$\frac{1}{2}$ w			
R535	303-153	15 k	1 w			5%
R536	303-153	15 k	1 w			5%

¹ R483 matched to within .1% of R441. Furnished as a unit.

² Concentric with SW420 and SW517.

Resistors (continued)

Ckt. No.	Tektronix Part Number		Description			S/N Range
R540	302-100	10 Ω	$\frac{1}{2}$ w			
R544	Use 311-004	100 Ω	2 w	Var.		GAIN ADJ.
	311-004	200 Ω	2 w	Var.		101-447 448-up
R545	308-082	3 k	5 w		WW	5%
R546	308-082	3 k	5 w		WW	5%
R548	308-063	1.2 k	5 w		WW	5%
R550	302-100	10 Ω	$\frac{1}{2}$ w			
R556	309-001	433 k	$\frac{1}{2}$ w		Prec.	1%
R557	309-125	300 k	$\frac{1}{2}$ w		Prec.	1%
	309-053	333 k	$\frac{1}{2}$ w		Prec.	1%
R558	311-023	50 k	2 w	Var.		INT. TRIG. DC LEVEL ADJ.
R560	302-470	47 Ω	$\frac{1}{2}$ w			
R562	302-470	47 Ω	$\frac{1}{2}$ w			
R564	304-393	39 k	1 w			
R593	*310-534	1.8 k	3 w		Mica Plate	1%
R594	*310-534	1.8 k	3 w		Mica Plate	1%
R597	308-089	1 k	10 w		WW	5%
R600	311-055	50 Ω	2 w	Var.	WW	SCALE ILLUM.
R601	304-100	10 Ω	1 w			
R603	304-333	33 k	1 w			
R605	302-562	5.6 k	$\frac{1}{2}$ w			
R606	302-224	220 k	$\frac{1}{2}$ w			
R607	302-683	68 k	$\frac{1}{2}$ w			
R609	302-105	1 meg	$\frac{1}{2}$ w			
R610	302-102	1 k	$\frac{1}{2}$ w			
R612	304-183	18 k	1 w			
R614	302-105	1 meg	$\frac{1}{2}$ w			
R616	310-054	68 k	1 w		Prec.	1%
R617	311-015	10 k	2 w	Var.	WW	—150 ADJ.
R618	310-086	50 k	1 w		Prec.	1%
R620	308-102	1.25 k	25 w		WW	5%
R630	304-100	10 Ω	1 w			
R632	302-473	47 k	$\frac{1}{2}$ w			
R633	302-333	33 k	$\frac{1}{2}$ w			
R635	302-105	1 meg	$\frac{1}{2}$ w			
R636	302-105	1 meg	$\frac{1}{2}$ w			
R638	302-102	1 k	$\frac{1}{2}$ w			
R639	308-062	3 k	5 w		WW	5%
R641	310-056	333 k	1 w		Prec.	1%
R642	310-057	490 k	1 w		Prec.	1%
R660	304-100	10 Ω	1 w			
R662	304-274	270 k	1 w			
R663	302-563	56 k	$\frac{1}{2}$ w			
R666	302-105	1 meg	$\frac{1}{2}$ w			
R668	302-102	1 k	$\frac{1}{2}$ w			

Parts List—Type RM16

Resistors (continued)

Ckt. No.	Tektronix Part Number		Description			S/N Range
R669	308-102	1.25 k	25 w		WW	5%
R671	310-100	1 meg	1 w		Prec.	1%
R672	310-057	490 k	1 w		Prec.	1%
R751	308-116	2.2 Ω	1/2 w		WW	5%
	307-015	3.3 Ω	1 w			5%
						101-447 448-up
R790	302-104	100 k	1/2 w			
R794	302-274	270 k	1/2 w			
R795	302-104	100 k	1/2 w			
R801	304-154	150 k	1 w			
R804	302-155	1.5 meg	1/2 w			
R808	302-473	47 k	1/2 w			
R810	302-472	4.7 k	1/2 w			
R822	302-104	100 k	1/2 w			101-519 520-up
	302-333	33 k	1/2 w			
R823	306-565	5.6 meg	2 w			
R824	306-565	5.6 meg	2 w			
R825	311-041	1 meg	1/2 w	Var.		INTENSITY
R826	302-155	1.5 meg	1/2 w			
R832	302-332	3.3 k	1/2 w			
R840	309-017	1.5 meg	1/2 w		Prec.	1%
R841	311-042	2 meg	2 w	Var.		H. V. ADJ.
R842	306-475	4.7 meg	2 w			
R843	311-043	2 meg	1/2 w	Var.		FOCUS
R844	306-474	470 k	2 w			
R846	302-273	27 k	1/2 w			
R850	302-154	150 k	1/2 w			
R852	302-124	120 k	1/2 w			
R854	311-026	100 k	2 w	Var.		GEOM. ADJ.
R856	311-023	50 k	2 w	Var.		ASTIG.
R870	302-154	150 k	1/2 w			
R871	302-102	1 k	1/2 w			
R872	302-335	3.3 meg	1/2 w			101-859 860-up
	301-395	3.9 meg	1/2 w			5%
R874	302-683	68 k	1/2 w			
R875	302-102	1 k	1/2 w			
R876	302-275	2.7 meg	1/2 w			101-859 860-up
	301-245	2.4 meg	1/2 w			5%
R878	304-333	33 k	1 w			
R879	311-016	10 k	2 w	Var.		CAL ADJ.
R880	302-104	100 k	1/2 w			101-859 860-up
	302-683	68 k	1/2 w			
R883	302-101	100 Ω	1/2 w			101-859 860-up
	302-102	1 k	1/2 w			
R885	309-100	10 k	1/2 w		Prec.	1%
R886	309-099	6 k	1/2 w		Prec.	1%
R887	309-098	2 k	1/2 w		Prec.	1%
R888	309-115	1 k	1/2 w		Prec.	1%

Resistors (continued)

Ckt. No.	Tektronix Part Number		Description			S/N Range
R889	309-097	600 Ω	$\frac{1}{2}$ w	Prec.		1%
R890	309-073	200 Ω	$\frac{1}{2}$ w	Prec.		1%
R891	309-112	100 Ω	$\frac{1}{2}$ w	Prec.		1%
R892	309-067	60 Ω	$\frac{1}{2}$ w	Prec.		1%
R893	309-064	20 Ω	$\frac{1}{2}$ w	Prec.		1%
R894	309-096	10 Ω	$\frac{1}{2}$ w	Prec.		1%
R895	309-096	10 Ω	$\frac{1}{2}$ w	Prec.		1%

Switches

	Unwired	Wired				
SW10 } SW20 } SW110 ¹ }	*260-151	*262-143	Rotary	TRIGGER SELECTOR		
SW160	311-099			PRESET		
	*260-174	*262-122	Rotary	TIME/DIVISION		101-363
	*260-226	*262-182	Rotary	TIME/DIVISION		364-up ²
SW300	*260-186	*262-146	Rotary	DISPLAY		
SW401	*260-122		Rotary	AC/DC		
SW420 ³ } SW517 ³ }	*260-187	*262-479	Rotary	VOLTS/DIV.		
SW600	260-134		Toggle	POWER ON		
SW870	*260-098	*262-145	Rotary	VOLTS, PEAK-TO-PEAK		
TK601	260-120		Thermal Cutout	137°F \pm 5°		

Transformers

T600	*120-064	L.V. Power			101-363
	*120-112	L.V. Power			364-up
T800	*120-061	CRT Supply			

Electron Tubes

V14	154-033	6U8			101-859
	154-187	6DJ8			860-up
V35	154-033	6U8			101-859
	154-187	6DJ8			860-up
V135	154-028	6BQ7A			101-363
	154-187	6DJ8			364-up
V145	154-078	6AN8			
V152	154-016	6AL5			
V161	154-078	6AN8			
V183	154-039	12AT7			
V193	154-028	6BQ7A			101-363
	154-187	6DJ8			364-up

¹ Concentric with R29, R110 and R330. Furnished as a unit.² Concentric with R162. Furnished as a unit.³ SW517, SW420 and R516 are concentric.

Parts List—Type RM16

Electron Tubes (continued)

Ckt. No.	Tektronix Part Number	Description	S/N Range
V313	154-028	6BQ7A	101-363
	154-187	6DJ8	364-up
V354	154-028	6BQ7A	101-363
	154-187	6DJ8	364-up
V374	154-028	6BQ7A	101-363
	154-187	6DJ8	364-up
V454	154-030	6CB6	
V463	154-028	6BQ7A	101-363
	154-187	6DJ8	364-up
V483	154-022	6AU6	
V503	154-022	6AU6	
V514	154-022	6AU6	
V524	154-022	6AU6	
V533	154-028	6BQ7A	101-363
	154-187	6DJ8	364-up
V544	154-031	6CL6	
V554	154-031	6CL6	
V563	154-022	6AU6	
V606	154-078	6AN8	
V609	154-052	5651	
V617	154-056	6080	
V636	154-022	6AU6	
V637	154-044	12B4	
V666	154-022	6AU6	
V806	154-041	12AU7	
V810	154-017	6AQ5	
V822	154-051	5642	
V832	154-051	5642	
V859	*154-155	T316 P2 (T32P2) CRT Standard Phosphor	101-859
V875	154-033	6U8	860-up
	154-041	12AU7	
V883	154-022	6AU6	

Type RM16

Mechanical Parts List

	Tektronix Part Number
ADAPTER, BINDING POST	013-004
ADAPTER, POWER CORD	103-013
BOLT, SPADE, 6-32 x $\frac{3}{8}$	214-012
BRACKET .063 x $2\frac{1}{16}$ x $2\frac{1}{4}$ ("SWP. LENGTH & TRIG. LEVEL") (101-859)	406-321
BRACKET, POT (860-up)	406-602
BRACKET .063 x $1\frac{13}{16}$ x $7\frac{7}{8}$ x $2\frac{1}{2}$ (H.V.)	406-323
BRACKET .063 x $1\frac{5}{8}$ x $8\frac{5}{16}$ x $7\frac{1}{16}$ (UPPER D. L.)	406-326
BRACKET .063 x $1\frac{5}{8}$ x $10\frac{1}{2}$ x $7\frac{1}{16}$ (LOWER D. L.)	406-329
BRACKET .032 x $1\frac{1}{8}$ x $4\frac{25}{32}$ x $1\frac{3}{8}$ (S. S. FOR RM16)	406-337
BRACKET .063 x $2\frac{11}{16}$ x $7\frac{3}{16}$ (RECTIFIER S. S. FOR RM16)	406-341
BRACKET .063 x $2\frac{1}{16}$ x $2\frac{1}{4}$ ("LOW FREQ. & GAIN ADJUST")	406-357
BRACKET .090 x $3\frac{1}{2}$ x $1\frac{27}{32}$	406-431
BRACKET .063 x $\frac{9}{16}$ x $\frac{1}{2}$ x $\frac{3}{4}$ (SWITCH MTG.)	406-483
BUSHING ALUM., $\frac{3}{8}$ -32 x $\frac{9}{16}$ x .412	358-010
BUSHING NYLON, FOR 5 WAY BINDING POST	358-036
CABLE HARNESS, POWER 110 VOLT	179-200
CABLE HARNESS, INDICATOR 110 VOLT	179-201
CABLE HARNESS, PREAMP	179-202
CABLE HARNESS, POWER	179-228
CABLE HARNESS, INDICATOR (101-859)	179-281
CABLE HARNESS, INDICATOR (860-up)	179-500
CAP, INSULATION, FUSE HOLDER	200-237
CHASSIS, INDICATOR (101-363)	441-174
CHASSIS, INDICATOR (364-859)	441-216
CHASSIS, INDICATOR (860-up)	441-354
CHASSIS, CAL. (101-859)	441-183
CHASSIS, CAL. (860-up)	441-355
CHASSIS, POWER	441-171
CLAMP CABLE, $\frac{1}{2}$ " PLASTIC	343-006
CLAMP, $\frac{1}{2}$ x $\frac{3}{4}$ DIA., S. STEEL	343-036
CLAMP #20 WIRE FOR NEON BULBS	343-043
CONNECTOR CHASSIS MT., COAX, 1 CONTACT, FEMALE $\frac{1}{2}$ "D HOLE	131-081
CONNECTOR CABLE, 31" ANODE	131-086
CONNECTOR CHASSIS MT., 3 WIRE, TEK MOTOR BASE, MALE	131-102
CORD, POWER	161-010
COUPLING, POT, WIRE STEEL	376-014

Mechanical Parts List (continued)

	Tektronix Part Number
COVER, GRATICULE	200-073
EYELET, TAPERED BARREL	210-601
FAN, 4½"	369-011
FASTENER PAWL RIGHT W/STOP	214-052
FASTENER PAWL LEFT W/STOP	214-053
FASTENER SNAP, DOUBLE PRONGED DELRIN	214-153
FILTER, AIR, 6½ × 6½ × 1	378-017
FILTER, LIGHT	378-509
GRATICULE, 3", 8 VERT. x 10 HORIZ.	331-042
GROMMET RUBBER ¼	348-002
GROMMET RUBBER ⅕	348-003
GROMMET RUBBER ⅜	348-004
GROMMET RUBBER ½	348-005
GROMMET RUBBER ¾	348-006
GROMMET RUBBER ⅝	348-012
GUIDE, CHASSIS TRAK	351-017
HANDLE, DRAWER	367-008
HOLDER NEON BULB, NYLON, SINGLE	352-008
HOLDER NYLON, ¼" DIA, COIL FORM	352-013
HOLDER FUSE W/HARDWARE	352-014
HOUSING, AIR FILTER	380-019
KNOB LARGE BLACK 1.225 FLANGE ¼ INSERT HOLE	366-028
KNOB LARGE BLACK 1.225 FLANGE ¼ INSERT HOLE W/¼ CONC. HOLE	366-029
KNOB LARGE BLACK 1.225 FLANGE ⅞ INSERT HOLE W/265 CONC. HOLE	366-030
KNOB SMALL RED .694 × 1⅜ W/⅛ INSERT HOLE	366-031
KNOB SMALL RED .694 × 1⅜ W/⅜ INSERT HOLE	366-032
KNOB SMALL BLACK .694 × ½ W/¼ INSERT HOLE	366-033
KNOB SMALL RED .780 × .451 W/⅛ HOLE PART WAY	366-038
KNOB LARGE BLACK 1.375 × .650 W/¼ HOLE THRU	366-040
KNOB SMALL GREY	366-061
LOCKWASHER INT. #4	210-004
LOCKWASHER INT. #6	210-006
LOCKWASHER EXT. #8	210-007

Mechanical Parts List (continued)

	Tektronix Part Number
LOCKWASHER INT. #8	210-008
LOCKWASHER EXT. #10	210-009
LOCKWASHER INT. #10	210-010
LOCKWASHER INT. $\frac{1}{4}$	210-011
LOCKWASHER INT. POT, $\frac{3}{8} \times \frac{1}{2}$	210-012
LOCKWASHER INT. $\frac{3}{8} \times 1\frac{1}{16}$	210-013
LOCKWASHER #5, SPRING	210-017
LOCKWASHER INT. #12	210-020
LUG SOLDER SE4	210-201
LUG SOLDER SE6 W/2 WIRE HOLES	210-202
LUG SOLDER SE6 LONG	210-203
LUG SOLDER SE8	210-205
LUG SOLDER SE10 LONG	210-206
LUG SOLDER POT, PLAIN, $\frac{3}{8}$	210-207
LUG SOLDER SE8, LONG	210-228
LUG SOLDER FOR $\frac{1}{2}$ " STUD, .020 BRASS	210-229
MOUNT, CRT 3"	426-058
NUT HEX 4-40 x $\frac{3}{16}$	210-406
NUT HEX 6-32 x $\frac{1}{4}$	210-407
NUT HEX 8-32 x $\frac{5}{16}$	210-409
NUT HEX 10-32 x $\frac{5}{16}$	210-410
NUT HEX $\frac{3}{8}$ -32 x $\frac{1}{2}$	210-413
NUT HEX $1\frac{5}{32}$ -32 x $\frac{9}{16}$	210-414
NUT KNURLED, GRATICULE, 10-32 x .515 x $\frac{3}{8}$	210-434
NUT HEX $\frac{3}{8}$ -32 x $\frac{1}{2}$ x $\frac{5}{8}$	210-444
NUT HEX 10-32 x $\frac{3}{8}$ x $\frac{1}{8}$	210-445
NUT HEX 5-40 x $\frac{1}{4}$ or $\frac{3}{16}$ W/SWITCH	210-449
NUT HEX $\frac{1}{4}$ -28 x $\frac{3}{8}$ x $\frac{3}{32}$	210-455
NUT KEPS 6-32 x $\frac{5}{16}$	210-457
NUT HEX 8-32 x $\frac{1}{2}$ x $2\frac{3}{64}$ (25W RESISTOR MTG.)	210-462
NUT HEX 12-28 x $\frac{5}{16}$ x $\frac{3}{32}$	210-467
NUT 12 SIDED, $1\frac{5}{32}$ -32 x $\frac{5}{64}$ (SWITCH)	210-473
NUT HEX 6-32 x $\frac{5}{16}$ x .194 (5-10W RESISTOR MTG.)	210-478

Mechanical Parts List (continued)

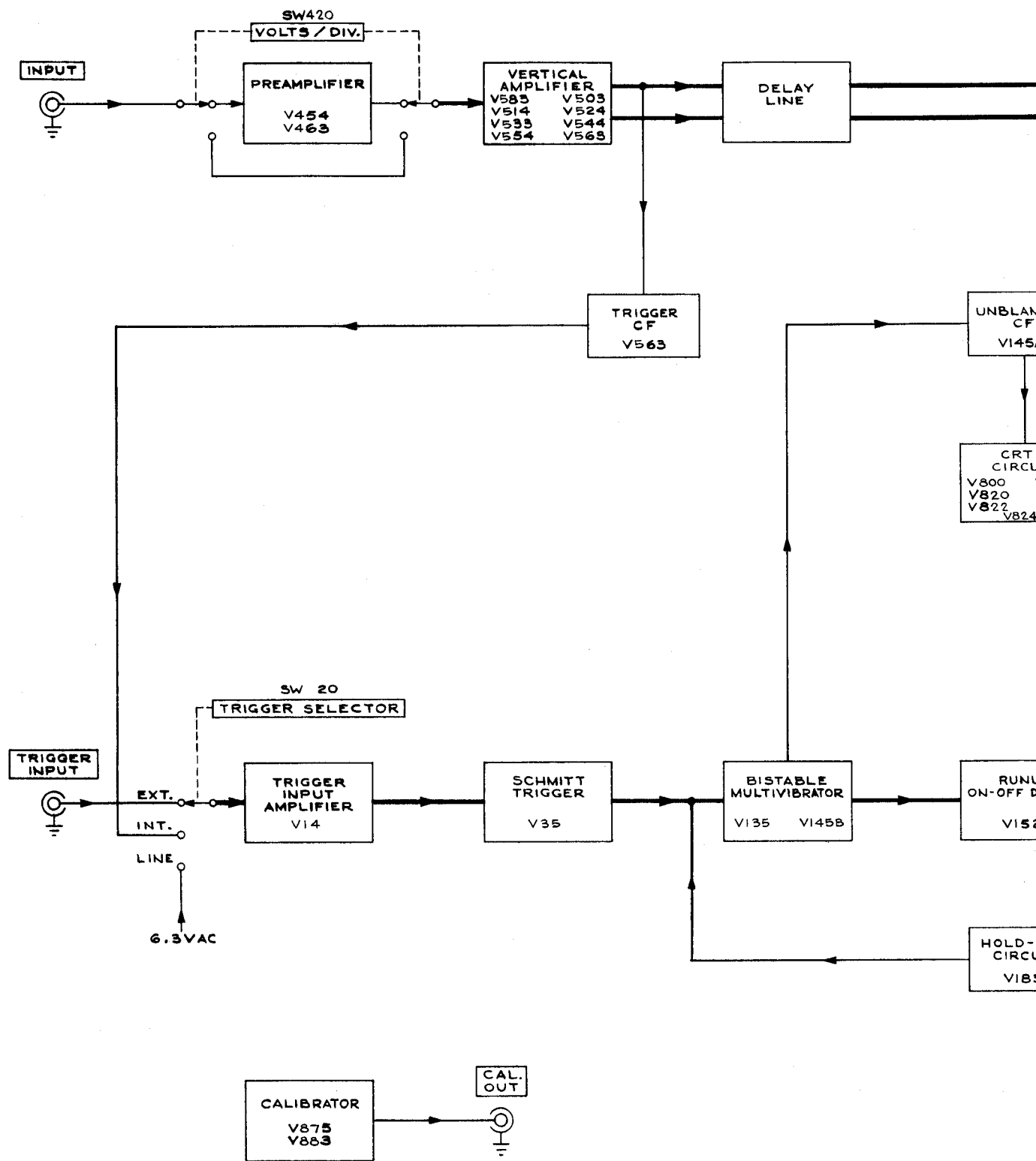
	Tektronix Part Number
NUT HEX $\frac{3}{8}$ -32 x $\frac{1}{2}$ x $\frac{11}{16}$	210-494
NUT SQUARE, 10-32 x $\frac{3}{8}$	210-501
NUT HEX 10-32 x $\frac{3}{8}$ x $\frac{1}{8}$	210-564
PANEL, FRONT	333-364
PLATE PLEXIGLAS, .100 x $2\frac{1}{4}$ x $\frac{11}{16}$	386-642
PLATE ALUM., .050 x $3\frac{5}{8}$ x $4\frac{3}{8}$	386-645
PLATE SUB PANEL, FRONT	386-663
PLATE ALUM., .063 x $6\frac{11}{16}$ x $16\frac{9}{16}$, LEFT SIDE	386-664
PLATE ALUM., .063 x $6\frac{11}{16}$ x $16\frac{9}{16}$, RIGHT SIDE	386-665
PLATE ALUM., .063 x $6\frac{11}{16}$ x $16\frac{3}{4}$, BACK	386-666
PLATE PLEXIGLAS, .100 x $1\frac{1}{2}$ x $2\frac{5}{8}$ W/8 RIVETS	386-729
PLATE PLEXIGLAS, .100 x $3\frac{3}{8}$ x $1\frac{7}{16}$	386-732
PLATE PLEXIGLAS, .100 x $8\frac{5}{8}$ x $1\frac{7}{16}$	386-733
PLATE ALUM., DUST COVER	387-095
POST BINDING 5 WAY STEM & FLUTED CAP	129-036
POST BINDING METAL, SHORT	129-053
RING LOCKING SWITCH	354-055
RING FAN W/MTG. EARS	354-065
ROD, EXTENSION, STEEL, $\frac{1}{8}$ x $5\frac{13}{16}$	384-147
ROD SPACING, NYLON, $\frac{1}{4}$ x $1\frac{5}{16}$ TAP 4-40 BOTH ENDS	384-541
ROD NYLON, $\frac{5}{16}$ x 1 TAP 6-32 THRU	385-016
ROD NYLON, 14 x $\frac{3}{4}$ TAP 4-40 THRU	385-107
ROD DELRIN, $\frac{5}{16}$ x $\frac{5}{8}$ W/#44 CROSS HOLES	385-134
ROD DELRIN, $\frac{5}{16}$ x $1\frac{9}{16}$ W/FOUR #44 CROSS HOLES	385-138
SCREW 4-40 x $\frac{3}{16}$ BHS	211-007
SCREW 4-40 x $\frac{5}{16}$ BHS	211-011
SCREW 4-40 x 1 FHS	211-031
SCREW 4-40 x $\frac{5}{16}$ PAN HS W/LOCKWASHER	211-033
SCREW 4-40 x $\frac{5}{16}$ FHS, PHILLIPS	211-038
SCREW 6-32 x $\frac{1}{4}$ BHS	211-504
SCREW 6-32 x $\frac{5}{16}$ BHS	211-507
SCREW 6-32 x $\frac{3}{8}$ BHS	211-510
SCREW 6-32 x $\frac{3}{4}$ BHS	211-514
SCREW 6-32 x $\frac{3}{4}$ FIL HS	211-532
SCREW 6-32 x $\frac{5}{16}$ PAN HS W/LOCKWASHER	211-534

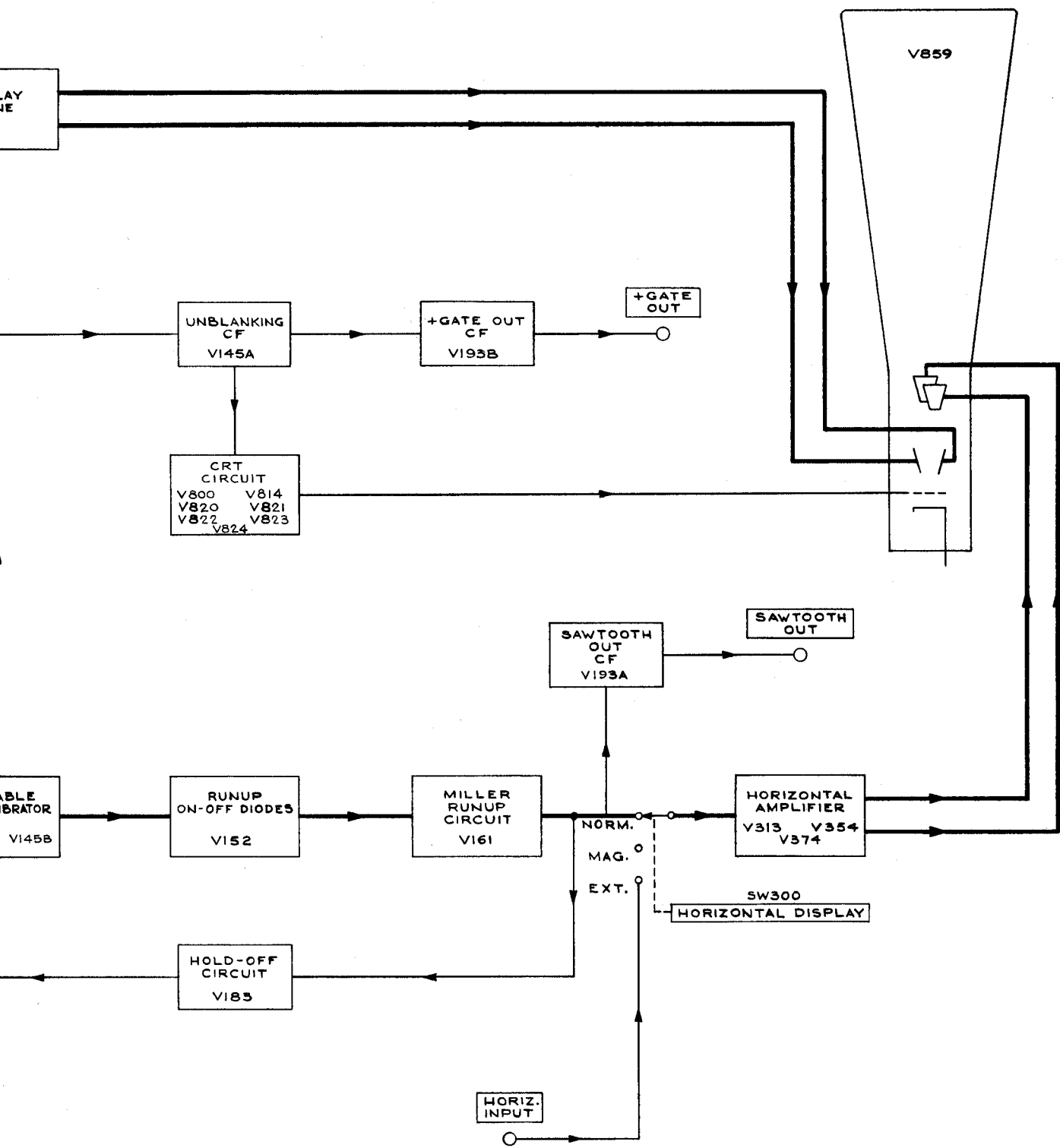
Mechanical Parts List (continued)

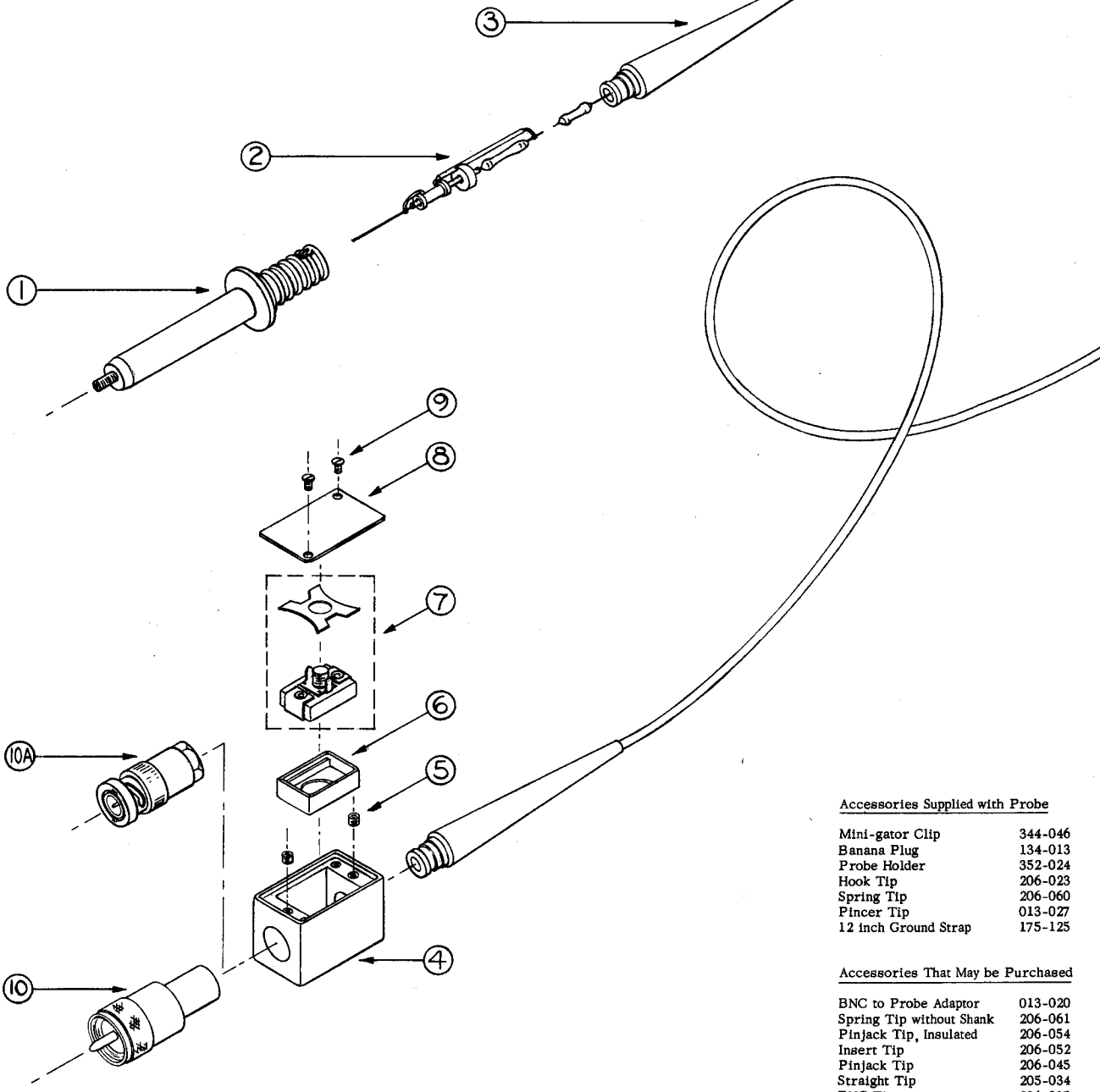
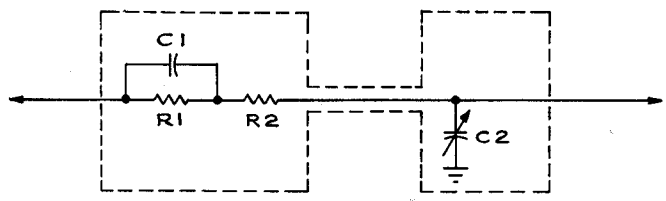
	Tektronix Part Number
SCREW 6-32 x 3/8 TRUSS HS, PHILLIPS	211-537
SCREW 6-32 x 5/16 FHS, 100°, CSK, PHILLIPS	211-538
SCREW 6-32 x 5/16 TRUSS HS, PHILLIPS	211-542
SCREW 6-32 x 5/16 RHS	211-543
SCREW 6-32 x 3/4 TRUSS HS, PHILLIPS	211-544
SCREW 6-32 x 1 1/2 RHS, PHILLIPS	211-553
SCREW 8-32 x 5/16 BHS	212-004
SCREW 8-32 x 2 1/4 RHS	212-014
SCREW 8-32 x 1 3/4 FIL HS	212-037
SCREW 10-32 x 3/8 FHS, 100°	212-506
SCREW 10-32 x 1/2 RHS	212-557
SCREW THREAD CUTTING, 4-40 x 5/16 RHS, PHILLIPS	213-035
SCREW THREAD CUTTING, 6-32 x 3/8 TRUSS HS, PHILLIPS	213-041
SCREW 6-32 x 5/16 HHS, SLOTTED	213-049
SCREW THREAD CUTTING, 6-32 x 5/16 PHS, PHILLIPS	213-054
SCREW THREAD CUTTING, 6-32 x 5/16 FHS, 100°, CSK, PHILLIPS	213-068
SCREW THREAD FORMING, 4-40 x 1/4 PHS, PHILLIPS	213-088
SCREW THREAD FORMING, 6-32 x 3/8 THS	213-104
SHIELD SOCKET 3/4" I.D.	337-004
SHIELD SOCKET 19/32" I.D.	337-005
SHIELD TUBE 1 3/4 x 7/8 W/SPRING	337-007
SHIELD TUBE 1 5/16 x 1 1/32 W/SPRING	337-008
SHIELD TUBE 7 PIN, 2 1/4 HI	337-128
SHIELD .040 x 2 3/4 x 1 1/2	337-141
SHIELD 3" CRT	337-185
SHIELD .040 x 1 3/8 x 1 x 1, CALIB.	337-192
SHIELD .040 x 1 7/8 x 3 x 1/2, TRIG.	337-193
SHIELD .040 x 5 1/16 x 3 1/8, H. V.	337-194
SHIELD .040 x 1 2 1/32 x 9 3/8 x 1 19/32, LOWER D. L.	337-201
SHIELD .040 x 1 2 1/32 x 3 9/32 x 9 1/2, UPPER D. L.	337-202
SHOCKMOUNT, RUBBER, SOLID ROUND, 1/2" DIA.	348-008
SLIDE, CHASSIS TRAK, TILTLOCK	351-027
SOCKET GRATICULE LAMP	136-001
SOCKET STM7G	136-008

Mechanical Parts List (continued)

	Tektronix Part Number
SOCKET STM7, SHIELDED	136-009
SOCKET 7 PIN, W/O CENTER PIN	136-010
SOCKET STM8, GROUND	136-011
SOCKET STM9G	136-015
SOCKET STM9S	136-022
SOCKET LIGHT, W/#14L RED JEWEL	136-047
SOCKET 3" CRT	136-056
SPACER NYLON FOR CERAMIC STRIP $\frac{1}{16}$	361-007
SPACER NYLON FOR CERAMIC STRIP $\frac{3}{16}$	361-008
SPACER NYLON FOR CERAMIC STRIP $\frac{5}{16}$	361-009
STRIP BRASS $.016 \times \frac{3}{16} \times 6$	124-009
STRIP FELT GREY	124-050
STRIP CERAMIC $\frac{3}{4} \times 4$ NOTCHES, CLIP MOUNTED	124-088
STRIP CERAMIC $\frac{3}{4} \times 7$ NOTCHES, CLIP MOUNTED	124-089
STRIP CERAMIC $\frac{3}{4} \times 9$ NOTCHES, CLIP MOUNTED	124-090
STRIP CERAMIC $\frac{3}{4} \times 11$ NOTCHES, CLIP MOUNTED	124-091
STRIP CERAMIC $\frac{7}{16} \times 5$ NOTCHES, CLIP MOUNTED	124-093
STRIP CERAMIC $\frac{3}{4} \times 1$ NOTCH, CLIP MOUNTED	124-100
TAG VOLTAGE RATING	334-649
TAG S/N INSERT	334-679
WASHER STEEL $6L \times \frac{3}{8} \times .032$	210-803
WASHER STEEL $10S \times \frac{7}{16} \times .036$	210-805
WASHER BRASS 25W RESISTOR CENTERING	210-809
WASHER STEEL $.390 \times \frac{9}{16} \times .020$	210-840
WASHER NEOPRENE $\frac{7}{32} \times \frac{3}{8} \times \frac{5}{64}$	210-844







Accessories Supplied with Probe

Mini-gator Clip	344-046
Banana Plug	134-013
Probe Holder	352-024
Hook Tip	206-023
Spring Tip	206-060
Pincer Tip	013-027
12 inch Ground Strap	175-125

Accessories That May be Purchased

BNC to Probe Adaptor	013-020
Spring Tip without Shank	206-061
Pinjack Tip, Insulated	206-054
Insert Tip	206-052
Pinjack Tip	206-045
Straight Tip	205-034
BNC Tip	206-015
5 inch Ground Strap	175-124
18 inch Ground Strap	175-184

PROBES THIS SHEET COVERS

P6017

43 inches	Tektronix Part No.	010-038
6 ft.		010-056
9 ft.		010-057
12 ft.		010-058

P6022

43 inches	Tektronix Part No.	010-064
6 ft.		010-066
9 ft.		010-067
12 ft.		010-068

TABLE I ELECTRICAL PARTS

Ckt. No.	Model No.	Cable Length	Value	Description	Tektronix Part No.
C1	All	43 inches	11 μ f	Cer. Fixed 500v +or- 5%	281-576
	All	6 ft.	14 μ f		281-577
	All	9 ft.	18 μ f		281-578
	All	12 ft.	21 μ f		281-579
C2	1	All Lengths	8-50 μ f	Cer. Var. 500v	281-013
C2	2	All Lengths	5-80 μ f		Mica Var. 500v
R1	All	All Lengths	9 meg	1/2 w Fixed Prec. 2%	309-232
R2	All	All Lengths		Selected for proper cable termination. Furnished with cable.	

NOTE

On the underside of the lid for the Compensation Box is the Model Number. If the probe shows no number it will be Model Number One.

TABLE II MECHANICAL PARTS

Accessories Supplied with Probe

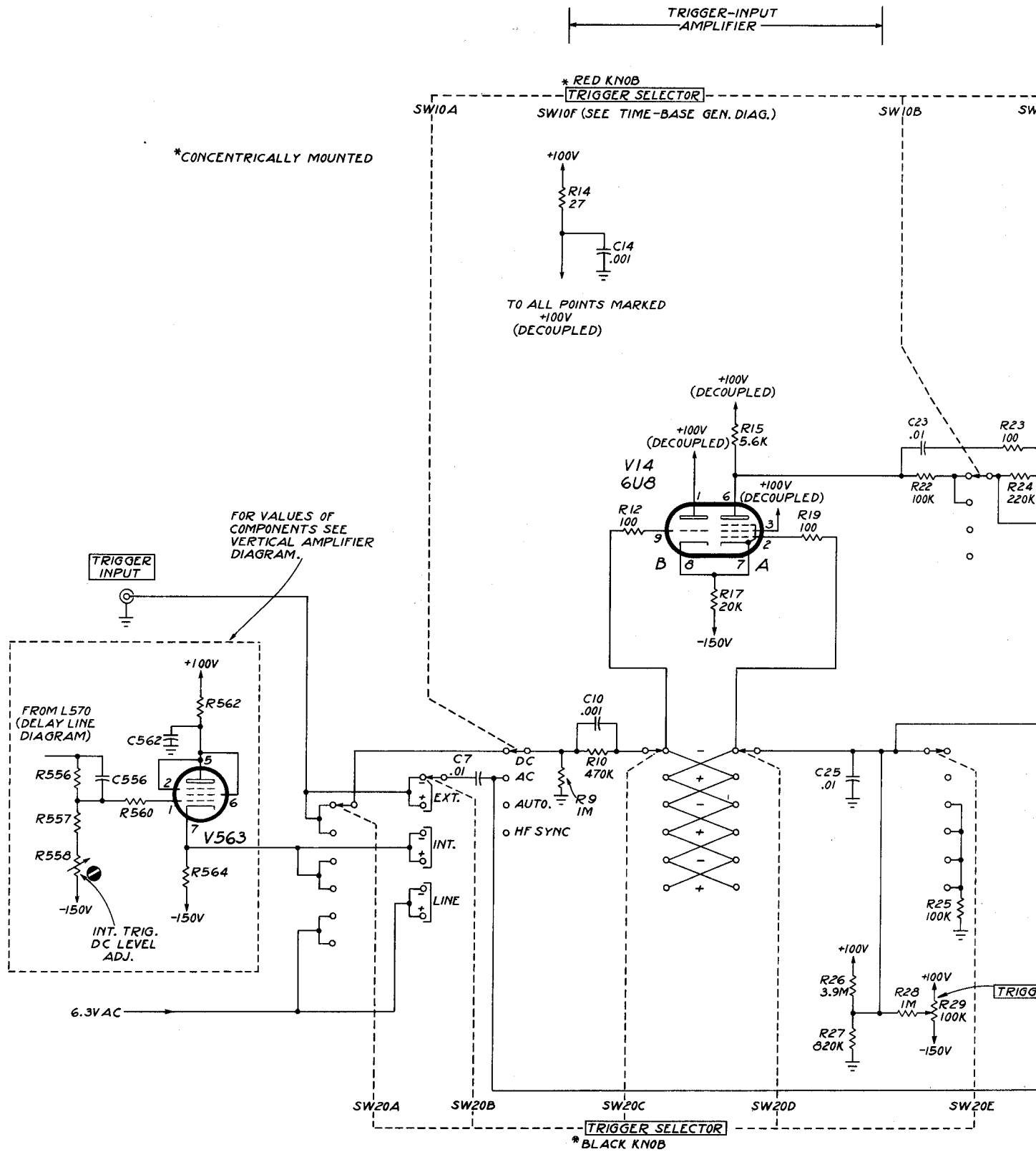
Mini-gator Clip	344-046
Banana Plug	134-013
Probe Holder	352-024
Hook Tip	206-023
Spring Tip	206-060
Pincer Tip	013-027
12 inch Ground Strap	175-125

Accessories That May be Purchased

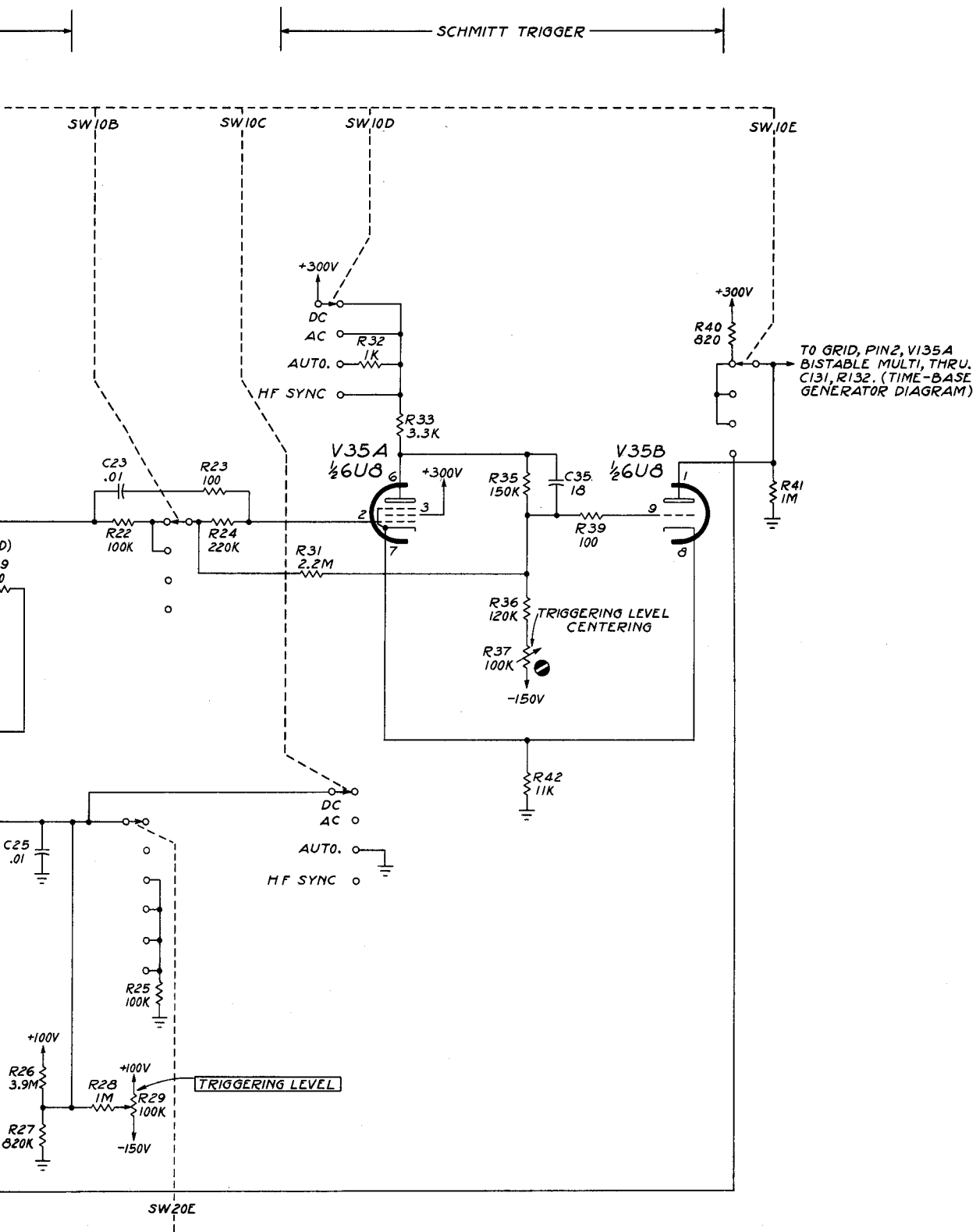
BNC to Probe Adaptor	013-020
Spring Tip without Shank	206-061
Pinjack Tip, Insulated	206-054
Insert Tip	206-052
Pinjack Tip	206-045
Straight Tip	205-034
BNC Tip	206-015
5 inch Ground Strap	175-124
18 inch Ground Strap	175-184

Item No.	Probe Type	Model No.	Cable Length	Part Title	Tektronix Part No.
1	P6017/P6022	All	All Lengths	Probe Body	204-054
2	P6017/P6022	All	43 inches	Attenuation Assembly	011-038
			6 ft.		011-037
			9 ft.		011-039
			12 ft.		011-040
3	P6017/P6022	All	43 inches	Cable Assembly	175-143
			6 ft.		175-185
			9 ft.		175-186
			12 ft.		175-187
4	P6017/P6022	1	All Lengths	Compensator Box	202-051
		2			202-068
5	P6017/P6022	All	All Lengths	Allen Set Screws	213-075
				4-40 x 3/32	
6	P6017/P6022	2 only	All Lengths	Positioning Insulator	200-098
				Compensating Capacitor	281-013
7	P6017/P6022	1	All Lengths	Compensating Capacitor and Spring Clip Assembly	281-059
		2			
8	P6017/P6022	All	All Lengths	Plate Cover	200-248
9	P6017/P6022	All	All Lengths	Thread Cutting Screw	213-035
				4-40 x 1/4	
10A	P6017	All	All Lengths	Connector, UHF	131-058
10	P6022	All	All Lengths	Connector, BNC	131-186

MRH



TYPE RM16 OSCILLOSCOPE



3-17-62

R.O.W.

CIRCUIT NUMBERS
1 THRU 49

TIME-BASE TRIGGER

EFF. S/N 101-859

TRIGGER-INPUT
AMPLIFIER

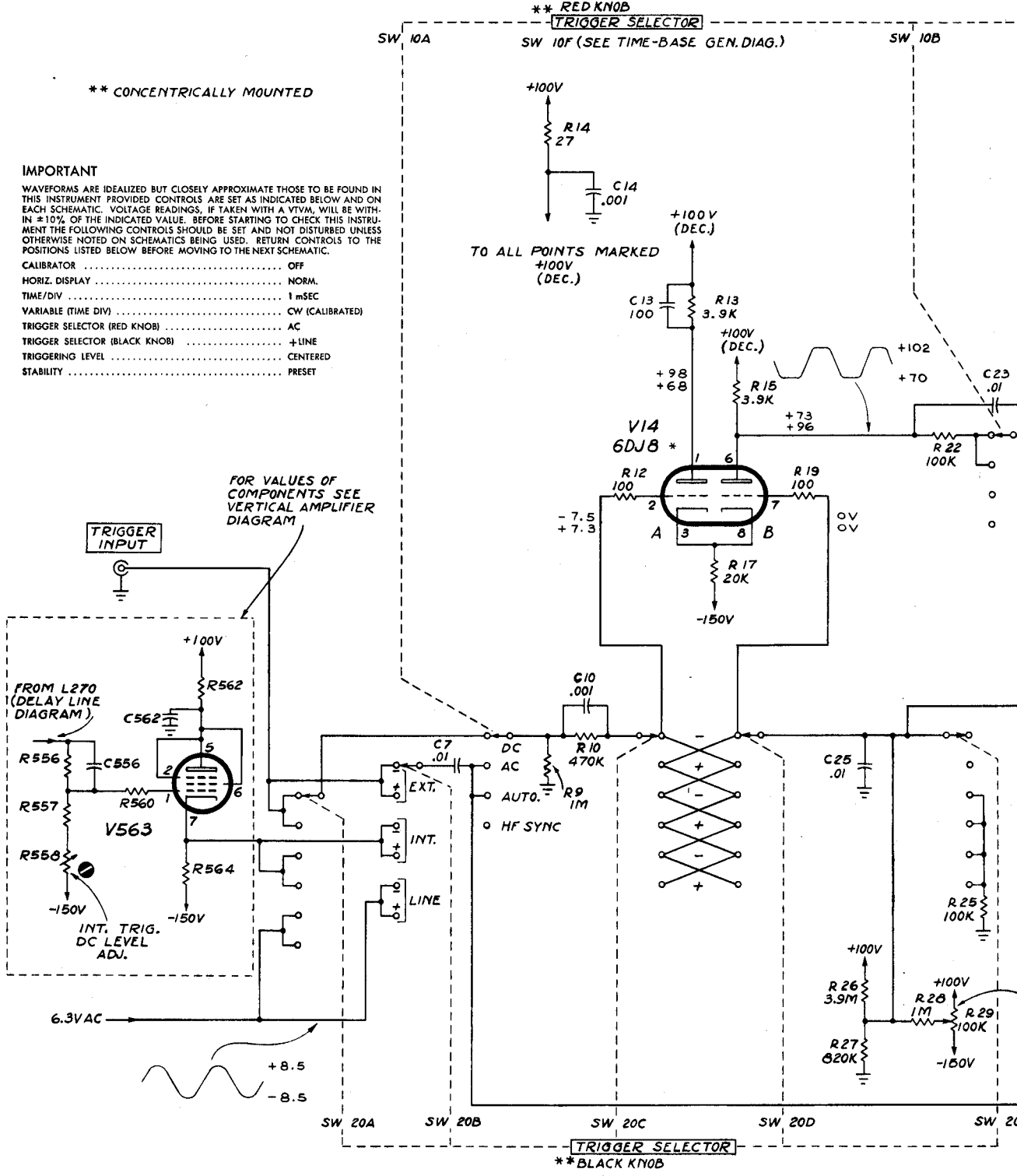
**** CONCENTRICALLY MOUNTED**

IMPORTANT

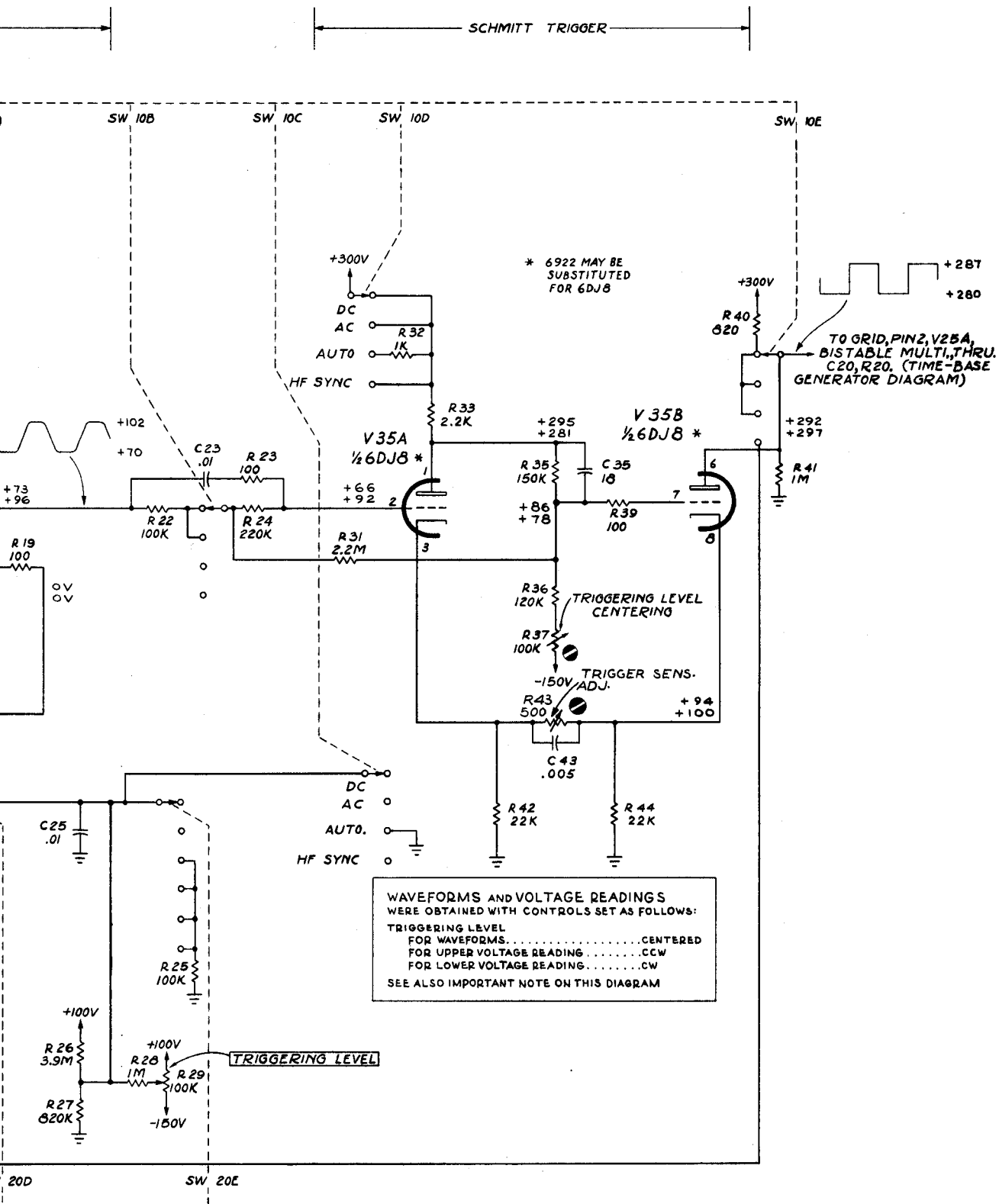
WAVEFORMS ARE IDEALIZED BUT CLOSELY APPROXIMATE THOSE TO BE FOUND IN THIS INSTRUMENT PROVIDED CONTROLS ARE SET AS INDICATED BELOW AND ON EACH SCHEMATIC. VOLTAGE READINGS, IF TAKEN WITH A VTVM, WILL BE WITHIN $\pm 10\%$ OF THE INDICATED VALUE. BEFORE STARTING TO CHECK THIS INSTRUMENT THE FOLLOWING CONTROLS SHOULD BE SET AND NOT DISTURBED UNLESS OTHERWISE NOTED ON SCHEMATICS BEING USED. RETURN CONTROLS TO THE POSITIONS LISTED BELOW BEFORE MOVING TO THE NEXT SCHEMATIC.

- CALIBRATOR OFF
- HORIZ. DISPLAY NORM.
- TIME/DIV 1 mSEC
- VARIABLE (TIME DIV) CW (CALIBRATED)
- TRIGGER SELECTOR (RED KNOB) AC
- TRIGGER SELECTOR (BLACK KNOB) +LINE
- TRIGGERING LEVEL CENTERED
- STABILITY PRESET

FOR VALUES OF COMPONENTS SEE VERTICAL AMPLIFIER DIAGRAM



TYPE RM16 OSCILLOSCOPE



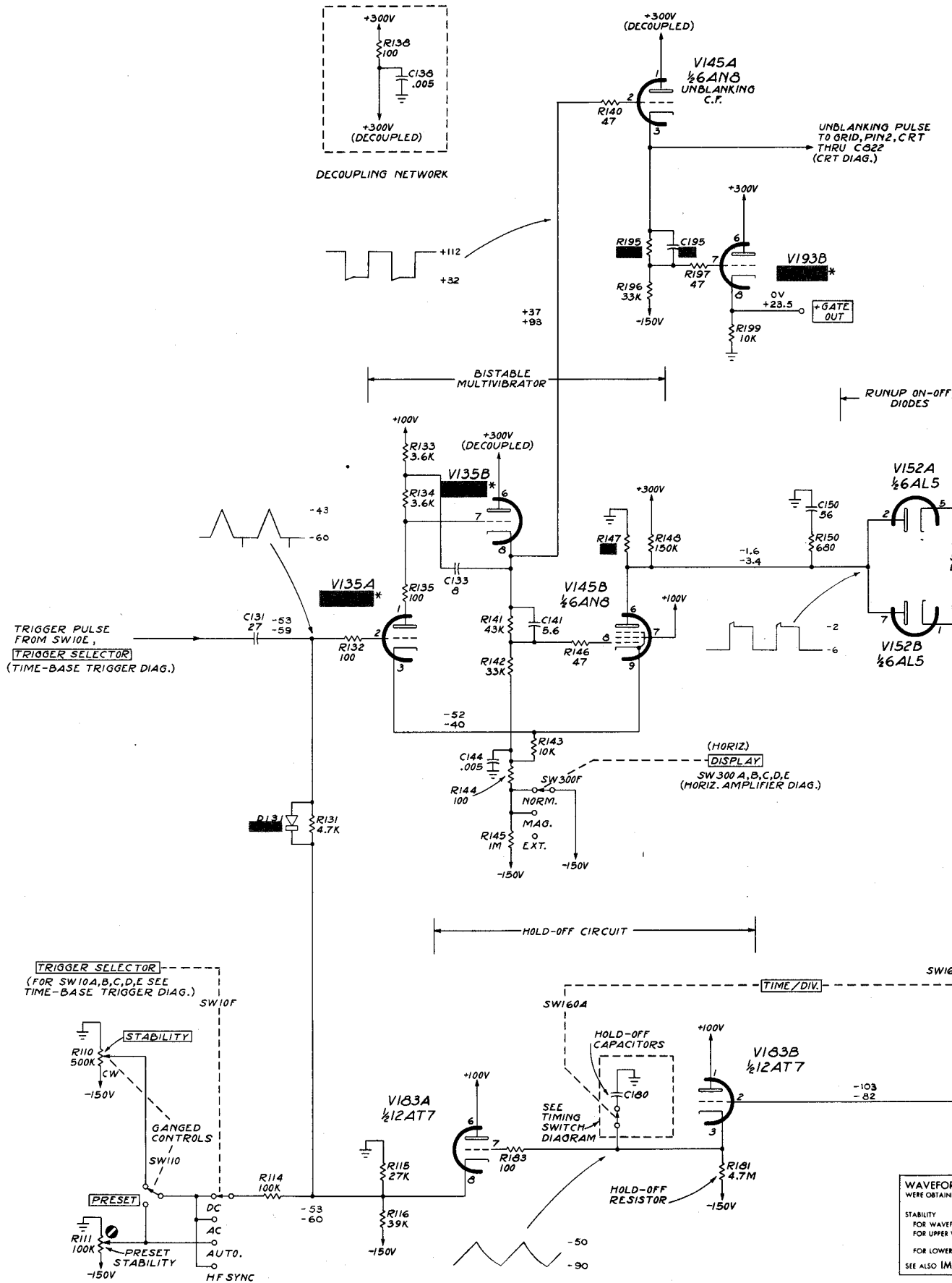
R.O.W.

03-8-62

CIRCUIT NUMBERS
1 THRU 49

TIME-BASE TRIGGER

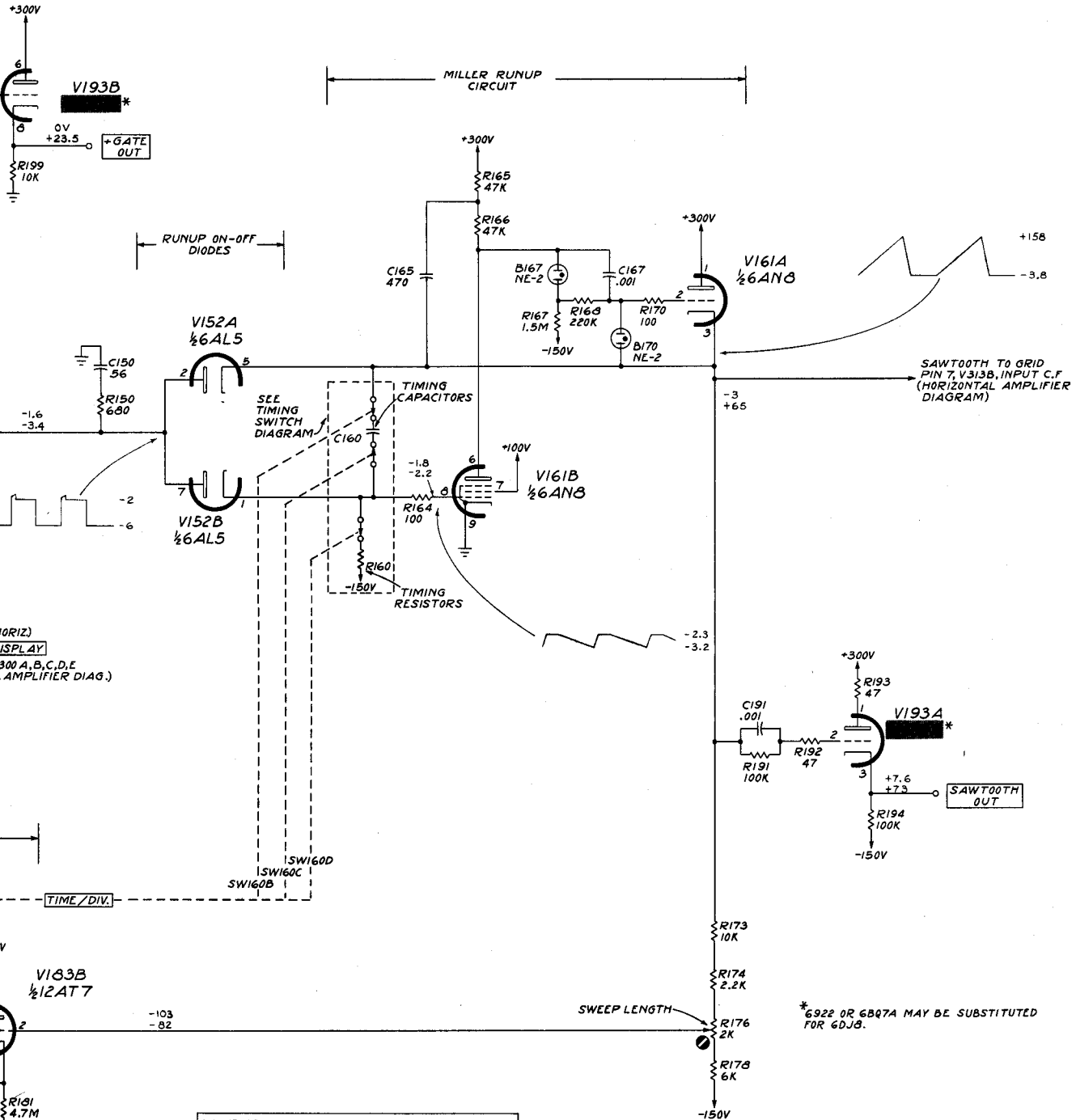
EFF. S/N 860-UP



TYPE RM 16 OSCILLOSCOPE

54
N3
ANKING

UNBLANKING PULSE
TO GRID, PIN 2, CRT
THRU C622
(CRT DIAG.)



WAVEFORMS AND VOLTAGE READINGS
WERE OBTAINED WITH CONTROLS SET AS FOLLOWS:

STABILITY FOR WAVEFORMS ... PRESET
FOR UPPER VOLTAGE READINGS (SWEEP IS DISABLED) ... CCW, BUT NOT SWITCHED TO PRESET
FOR LOWER VOLTAGE READINGS (SWEEP FREERUNS!) ... CW
SEE ALSO IMPORTANT NOTE ON SWEEP TRIGGER DIAGRAM.

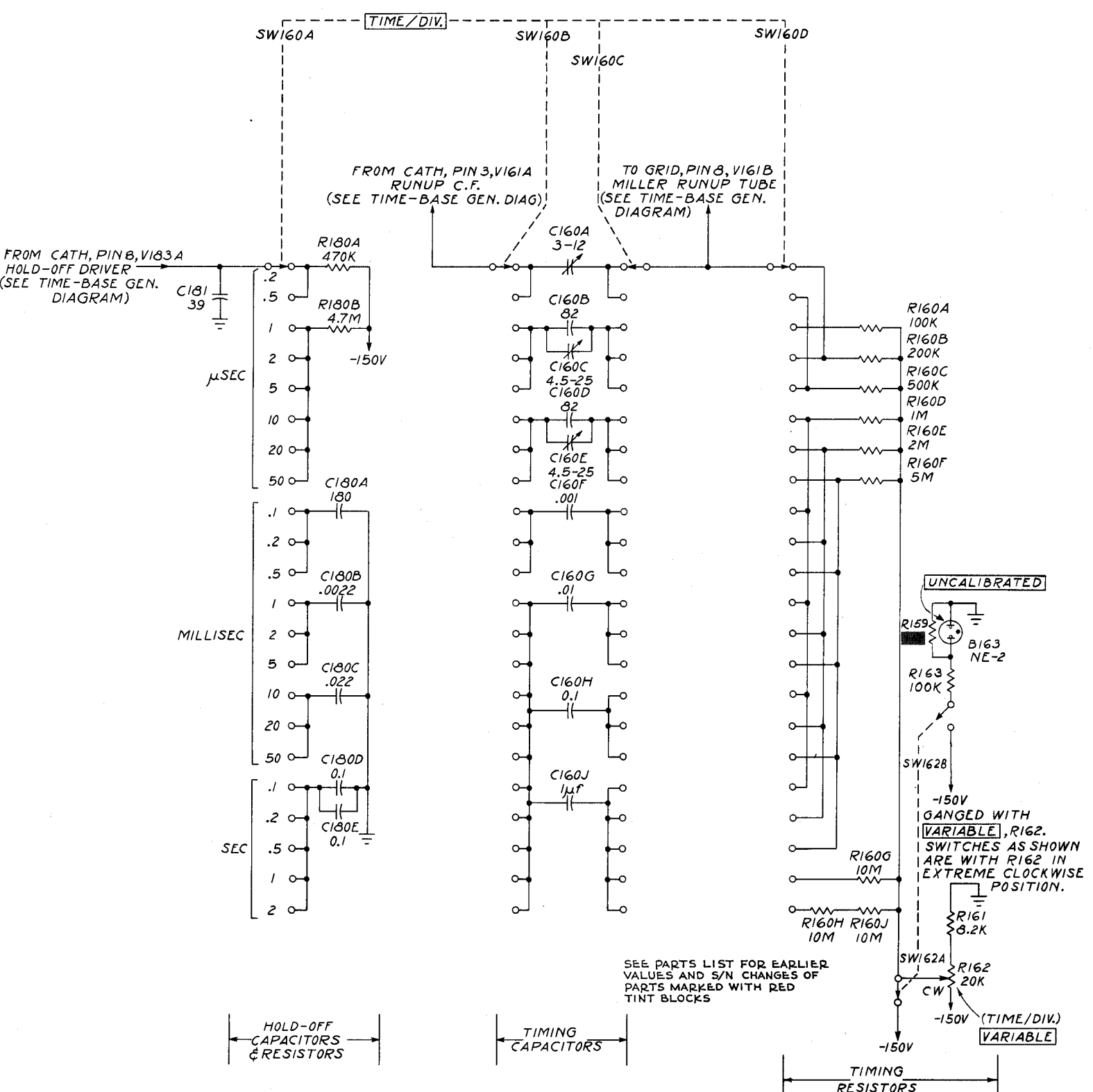
SEE PARTS LIST FOR EARLIER VALUES AND S/N CHANGES OF PARTS MARKED WITH RED TINT BLOCKS

*6922 OR 6BQ7A MAY BE SUBSTITUTED FOR 6DJ8.

TIME-BASE GENERATOR

CIRCUIT NUMBERS
100 THRU 199

R.O.W.
03-08-62



TYPE RM16 OSCILLOSCOPE

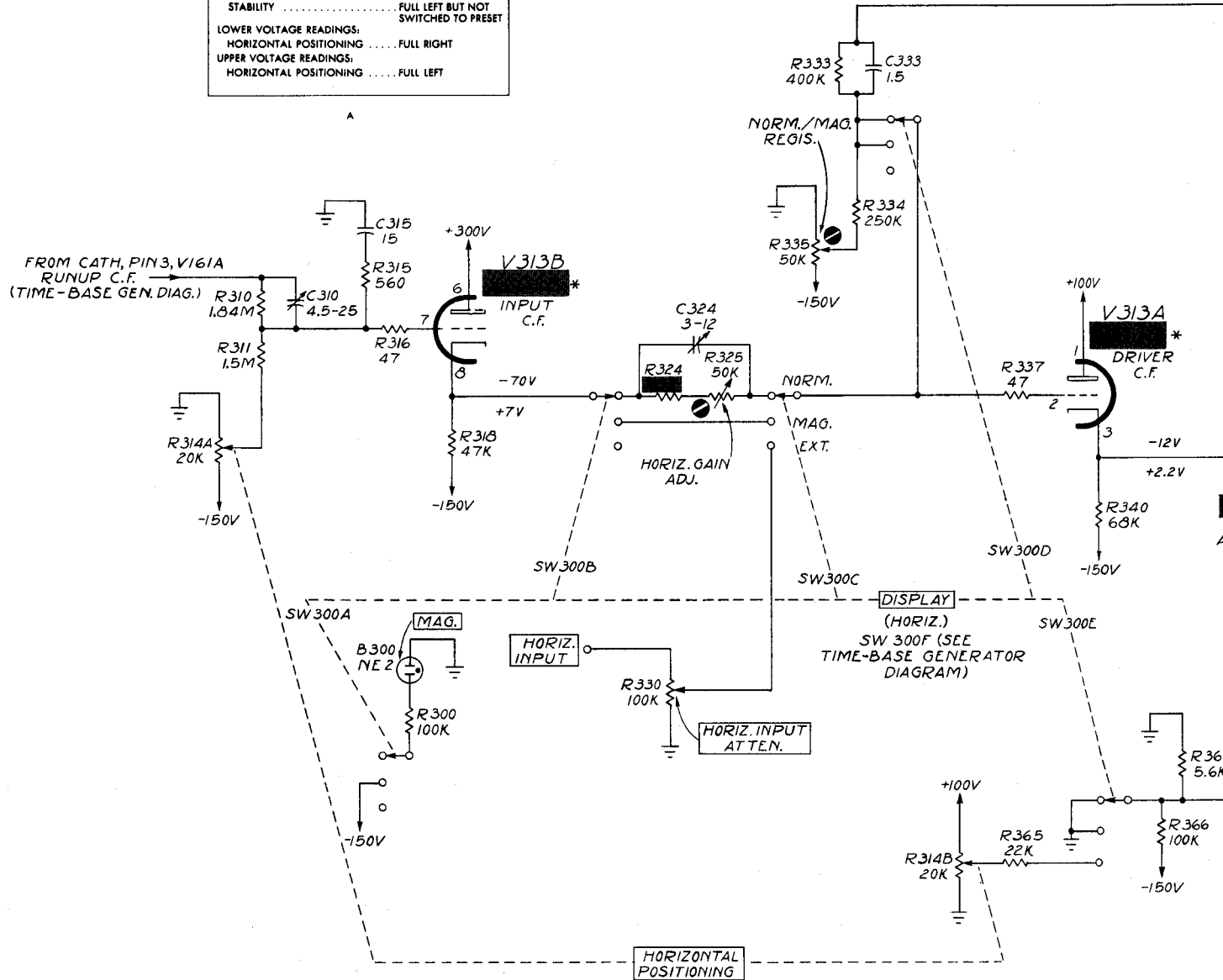
AA

TIMING SWITCH (TIME/DIV.)

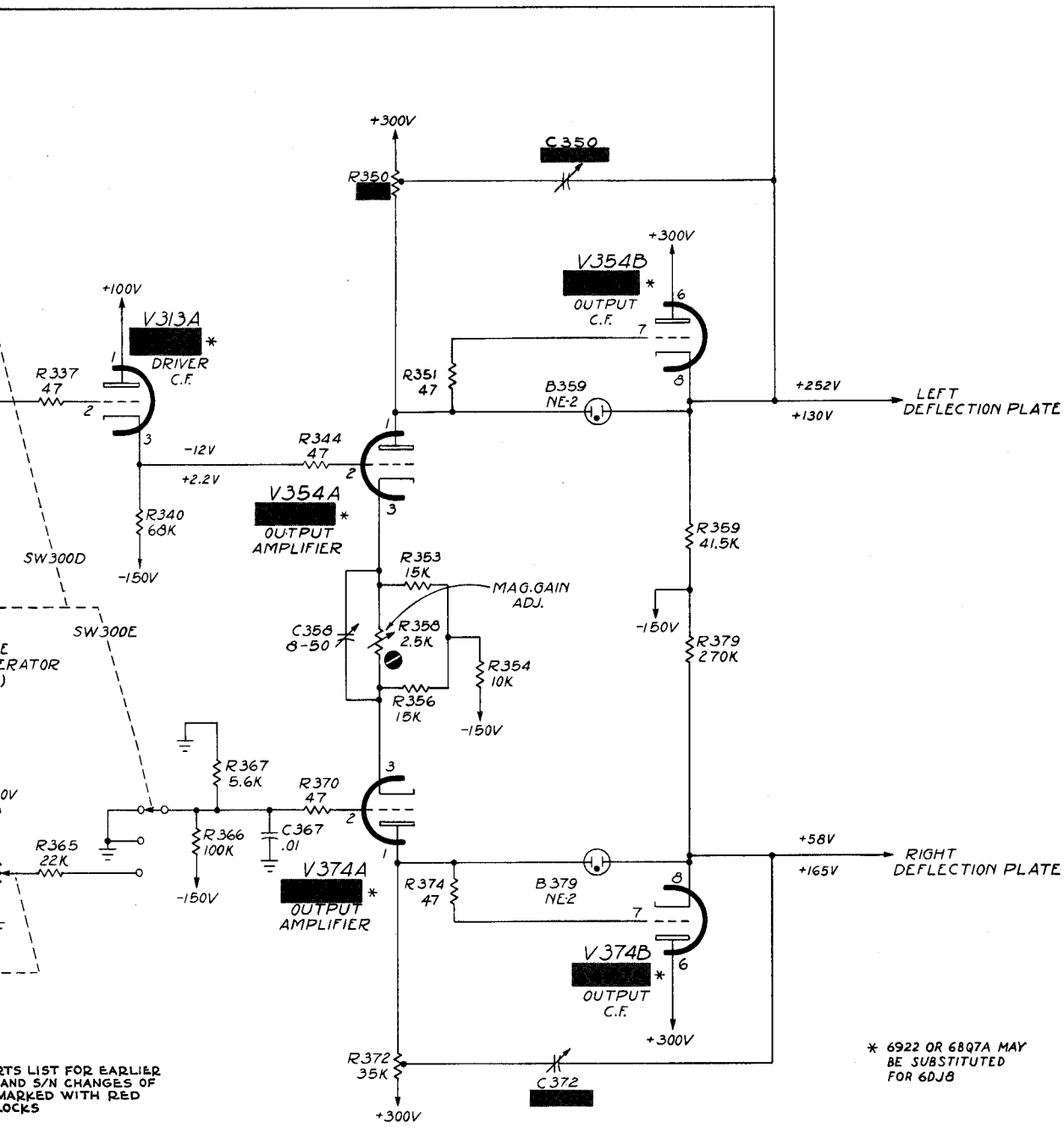
R.O.W.
3-8-62



VOLTAGE READINGS WERE OBTAINED
 WITH CONTROLS SET AS FOLLOWS:
 TRIGGER SELECTOR -EXT., DC
 DISPLAY NORM.
 STABILITY FULL LEFT BUT NOT
 SWITCHED TO PRESET
 LOWER VOLTAGE READINGS:
 HORIZONTAL POSITIONING FULL RIGHT
 UPPER VOLTAGE READINGS:
 HORIZONTAL POSITIONING FULL LEFT



SEE PARTS LIST FOR EARLIER
 VALUES AND S/N CHANGES OF
 PARTS MARKED WITH RED
 TINT BLOCKS



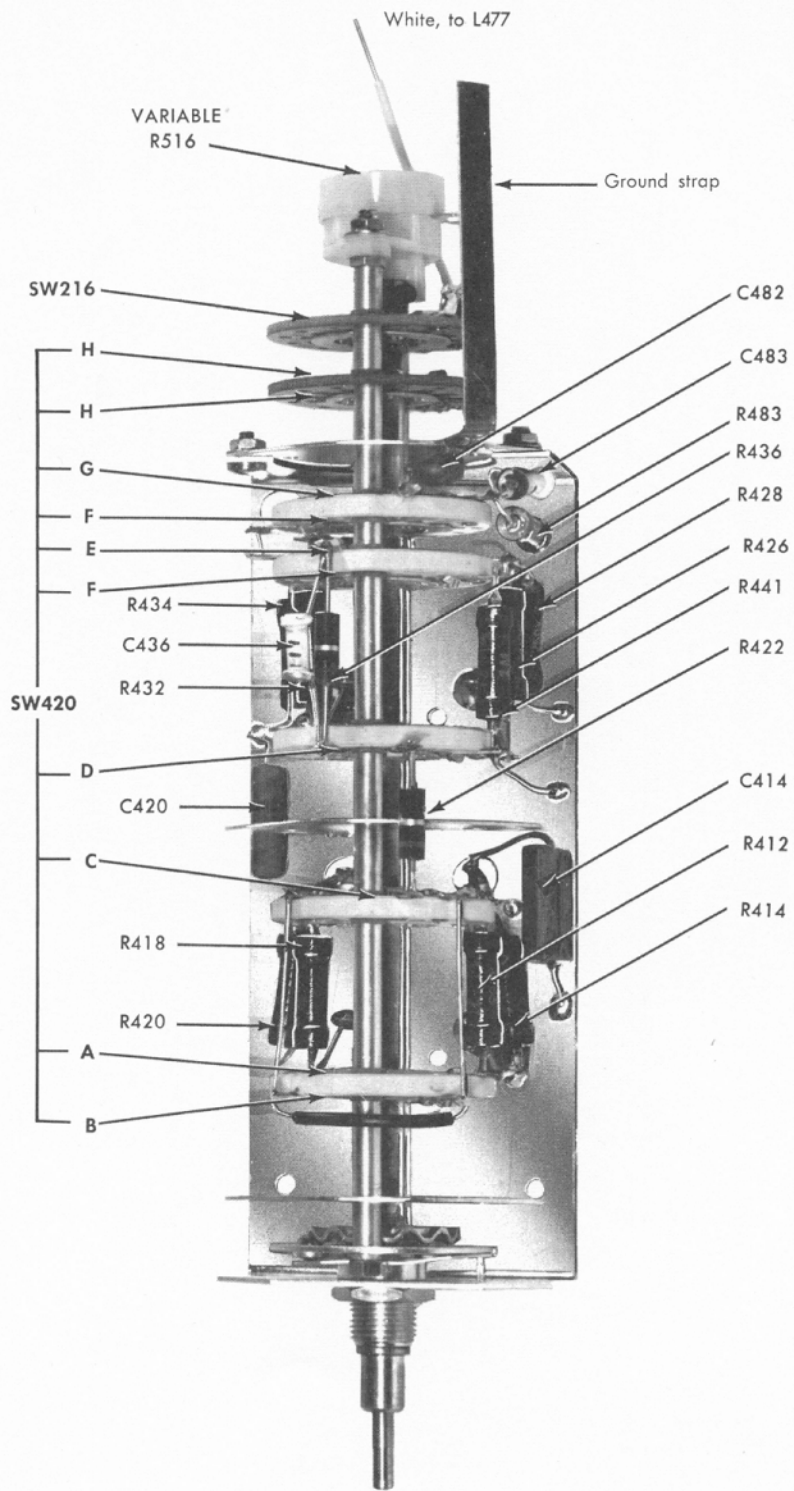
* 6922 OR 68Q7A MAY BE SUBSTITUTED FOR 6DJB

R. O. W.
03-16-62

HORIZONTAL AMPLIFIER

CIRCUIT NUMBERS
300 THRU 379

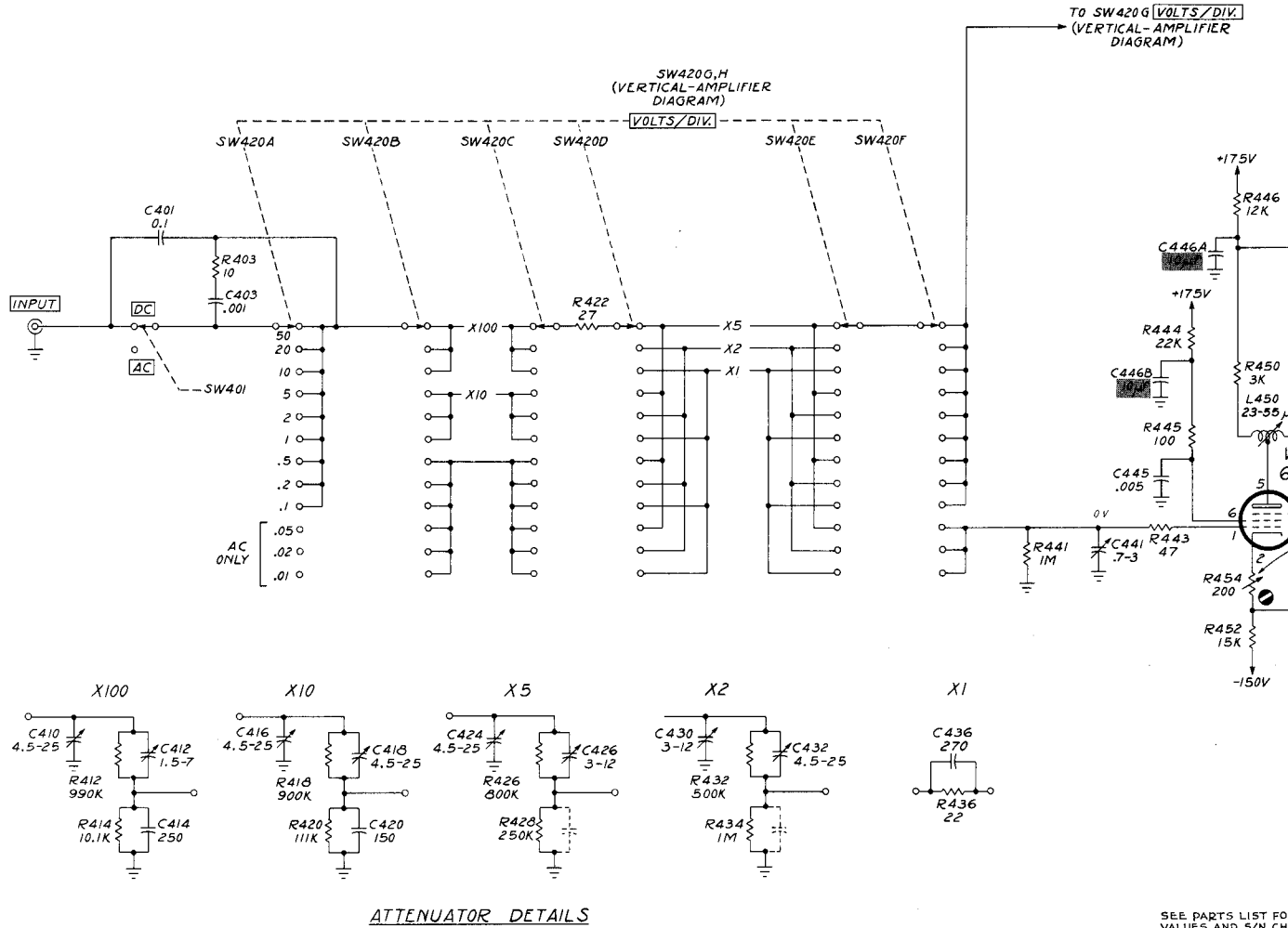
PTS LIST FOR EARLIER
AND S/N CHANGES OF
MARKED WITH RED
BLOCKS



VOLTS/DIV. SWITCH & VARIABLE CONTROL

RM16

SWITCH DETAIL



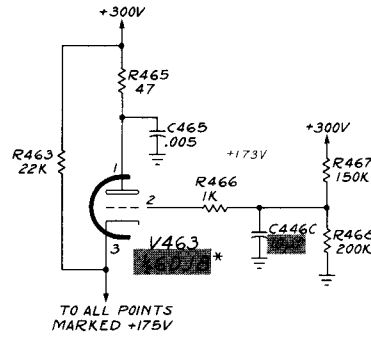
TYPE RM-16 OSCILLOSCOPE

AA

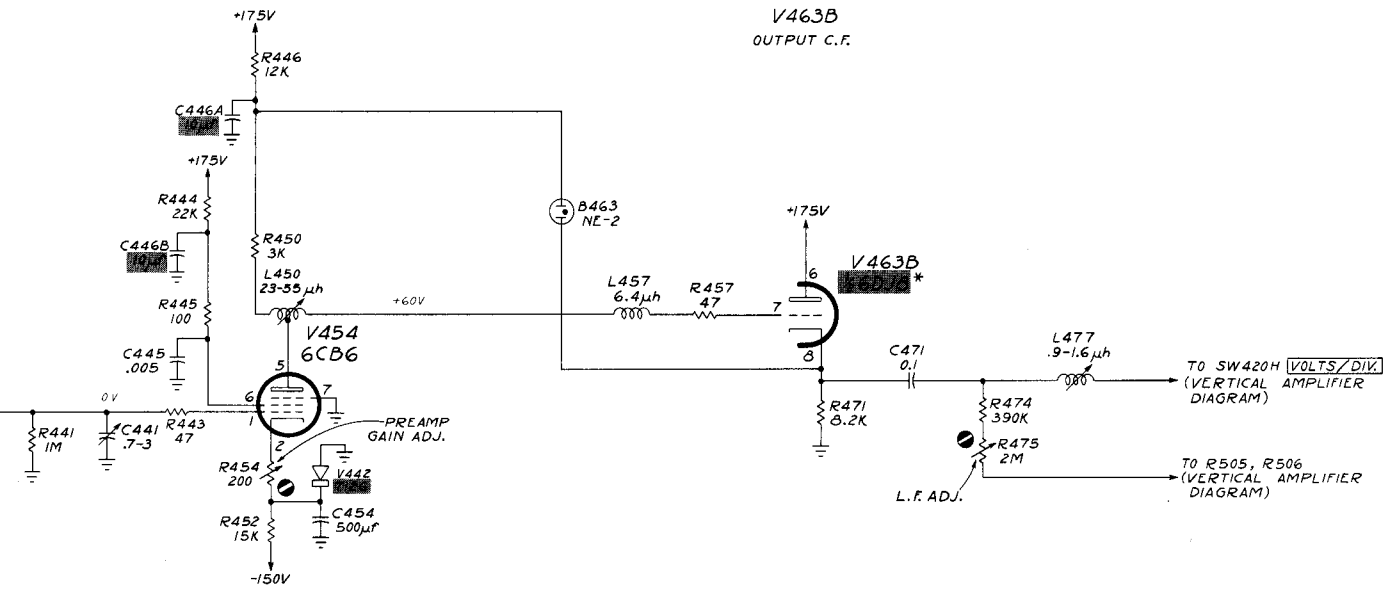
V454
AMPLIFIER

TO SW 420 G [VOLTS/DIV]
(VERTICAL-AMPLIFIER
DIAGRAM)

V463A
VOLTAGE-SETTING
C.F.



V463B
OUTPUT C.F.



* 6922 MAY BE SUBSTITUTED FOR 6DJ8.

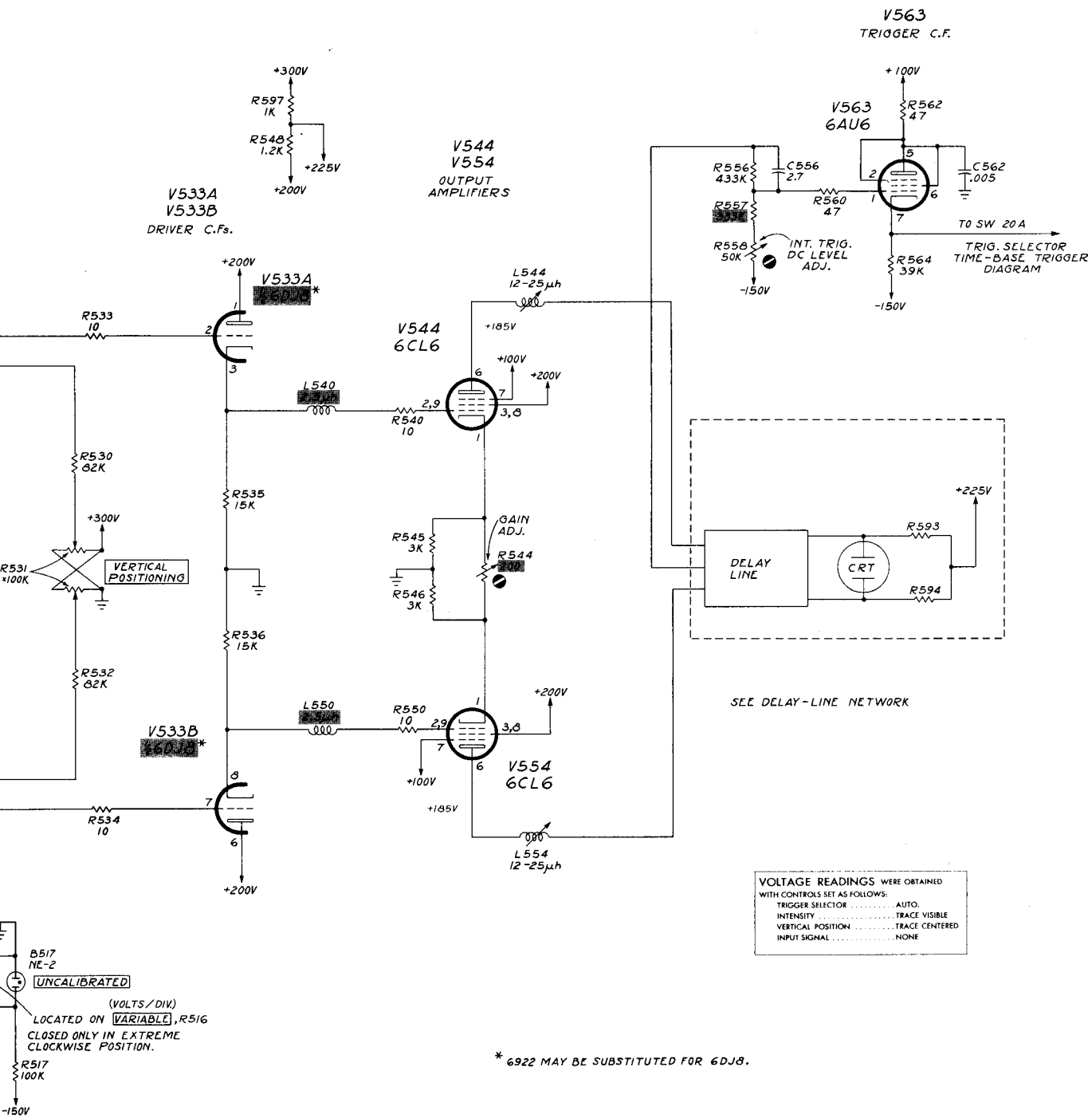
VOLTAGE READINGS WERE OBTAINED
AS FOLLOWS:
NO INPUT SIGNAL

SEE PARTS LIST FOR EARLIER
VALUES AND S/N CHANGES OF
PARTS MARKED WITH RED
TINT BLOCKS

CIRCUIT NUMBERS
400 THRU 479

PREAMPLIFIER

R.O.W.
03-08-62



VERTICAL AMPLIFIER

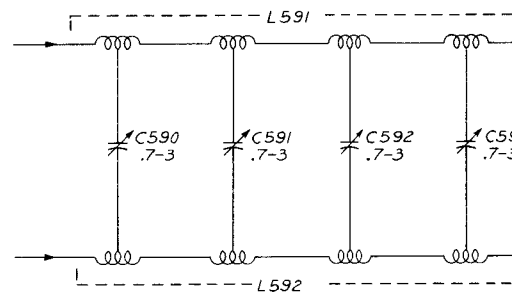
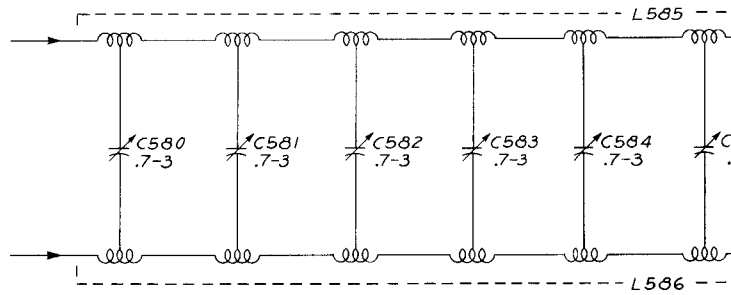
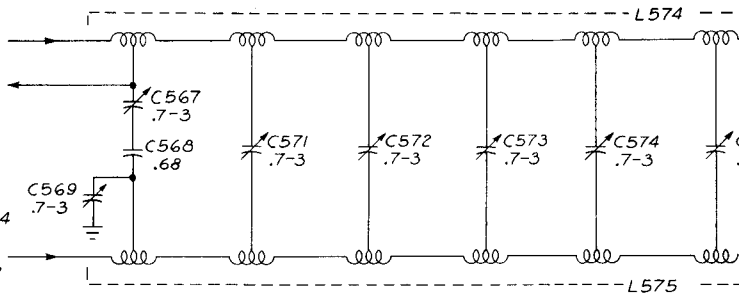
CIRCUIT NUMBERS
480 THRU 564

3-7-62
R.O.W.

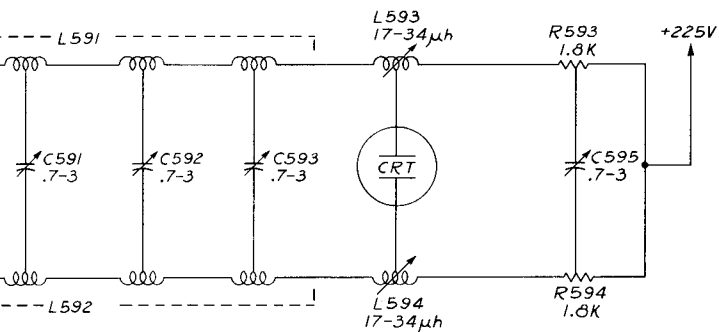
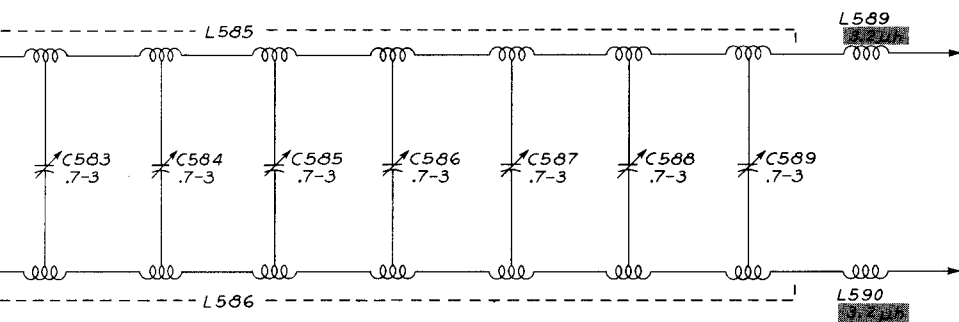
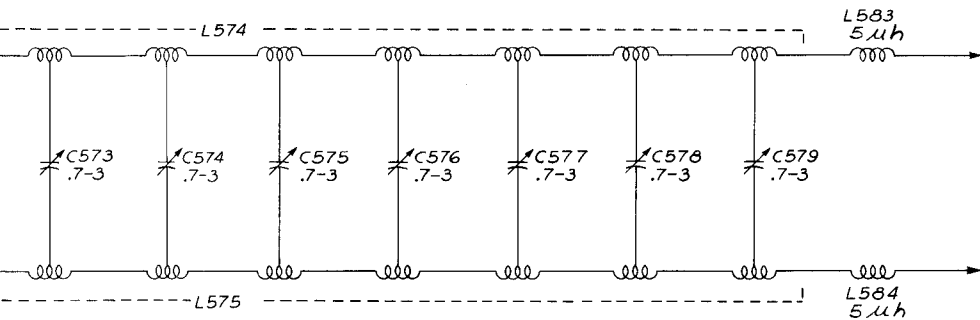
FROM PLATE, PIN 6, V544
 OUTPUT AMPLIFIER
 THRU. L544
 (VERTICAL-AMPLIFIER
 DIAGRAM.)

TO GRID, PIN 1, V563
 TRIGGER C.F.
 THRU. C556 & R560
 (VERTICAL-AMPLIFIER
 DIAGRAM.)

FROM PLATE, PIN 6, V554
 OUTPUT AMPLIFIER
 THRU. L554
 (VERTICAL-AMPLIFIER
 DIAGRAM.)



+



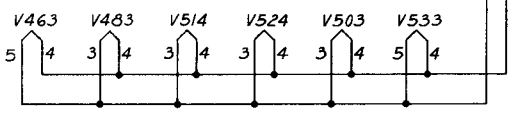
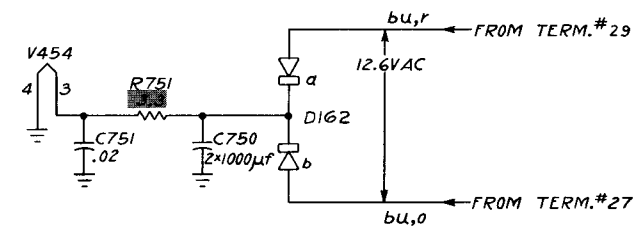
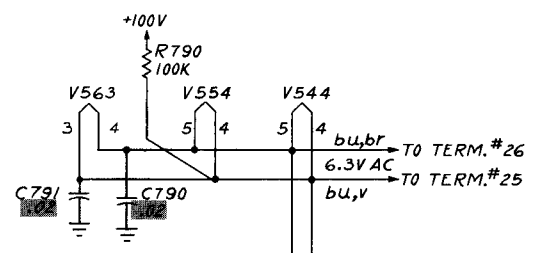
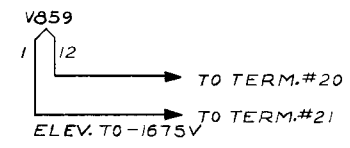
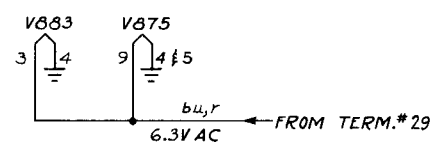
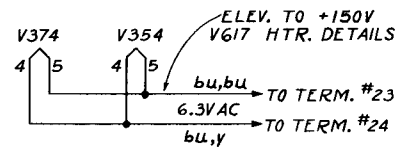
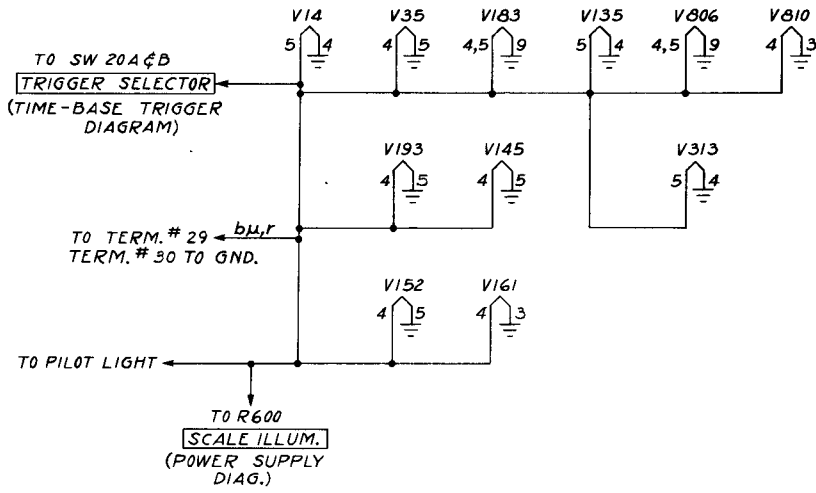
SEE PARTS LIST FOR EARLIER
VALUES AND S/N CHANGES OF
PARTS MARKED WITH RED
TINT BLOCKS

AA

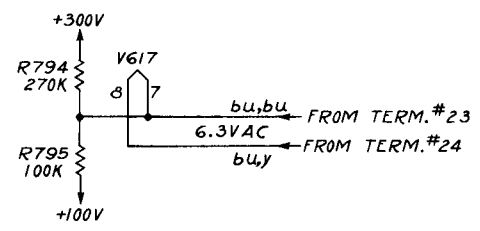
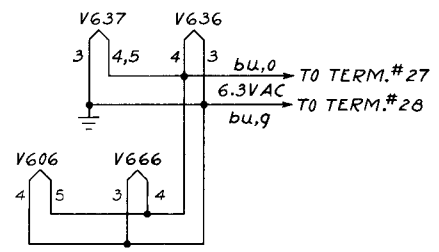
DELAY LINE

CIRCUIT NUMBERS
565 THRU 599

R.O.IV
03-03-62



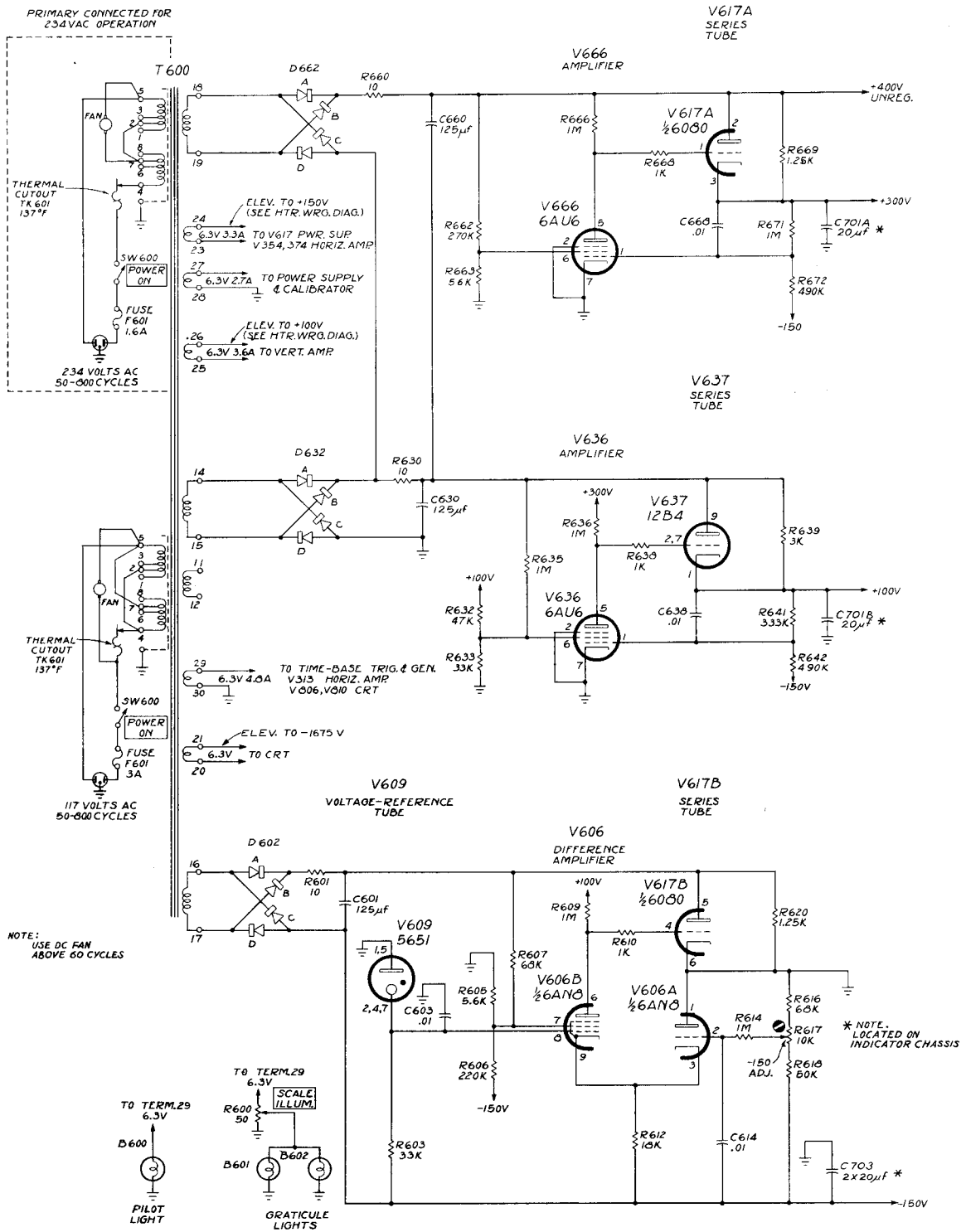
INDICATOR CHASSIS



POWER SUPPLY CHASSIS

SEE PARTS LIST FOR EARLIER VALUES AND S/N CHANGES OF PARTS MARKED WITH RED TINT BLOCKS

+



R. O.W.
3-14-62

LV POWER SUPPLY
CIRCUIT NUMBERS 600 THRU 705

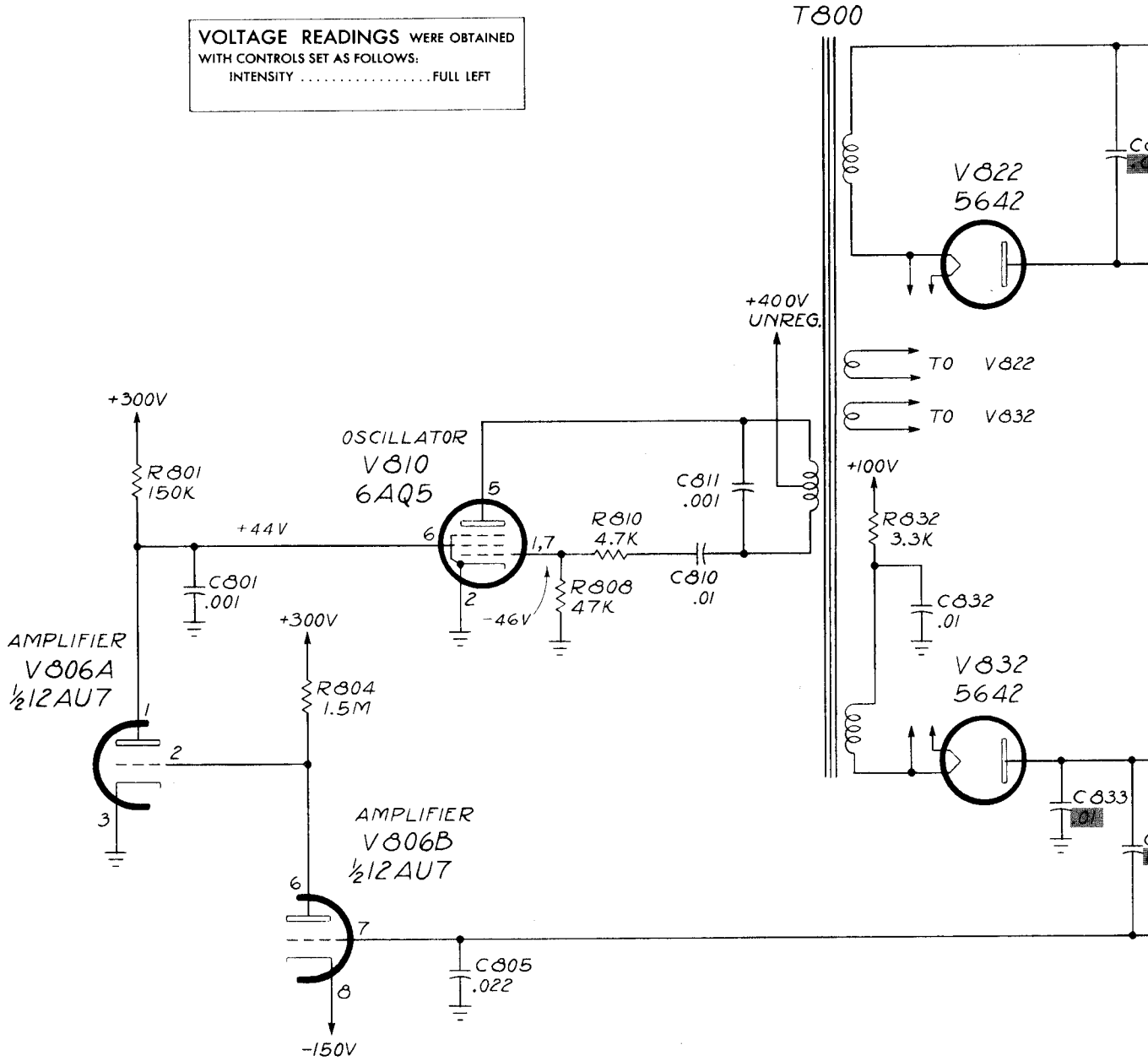
AA₁

+

V822, V832
HV RECTIFIERS

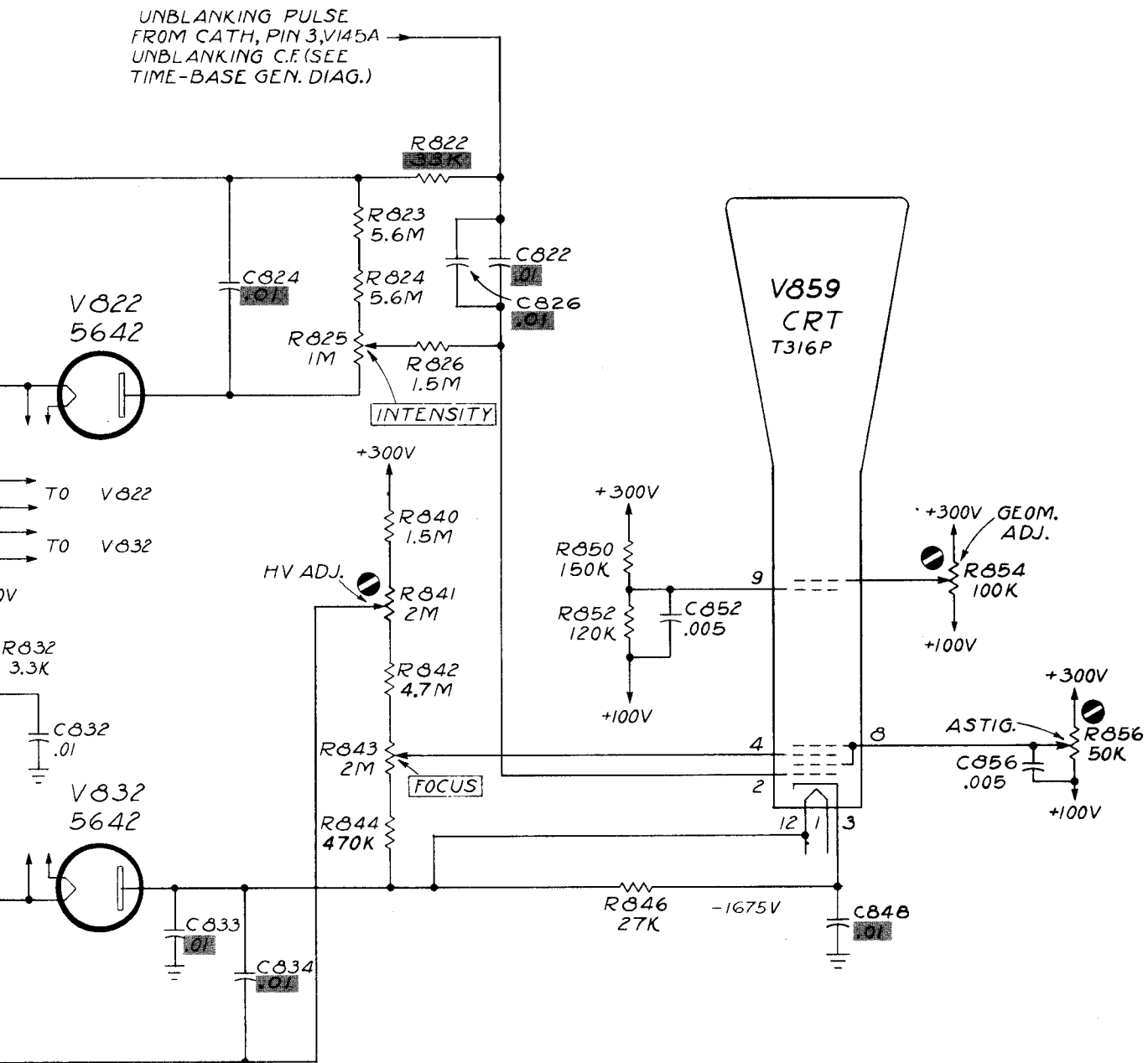
UNBLANKING
FROM CATH,
UNBLANKING
TIME-BASE C

VOLTAGE READINGS WERE OBTAINED
WITH CONTROLS SET AS FOLLOWS:
INTENSITY FULL LEFT



TYPE RM16 OSCILLOSCOPE

V832
RECTIFIERS



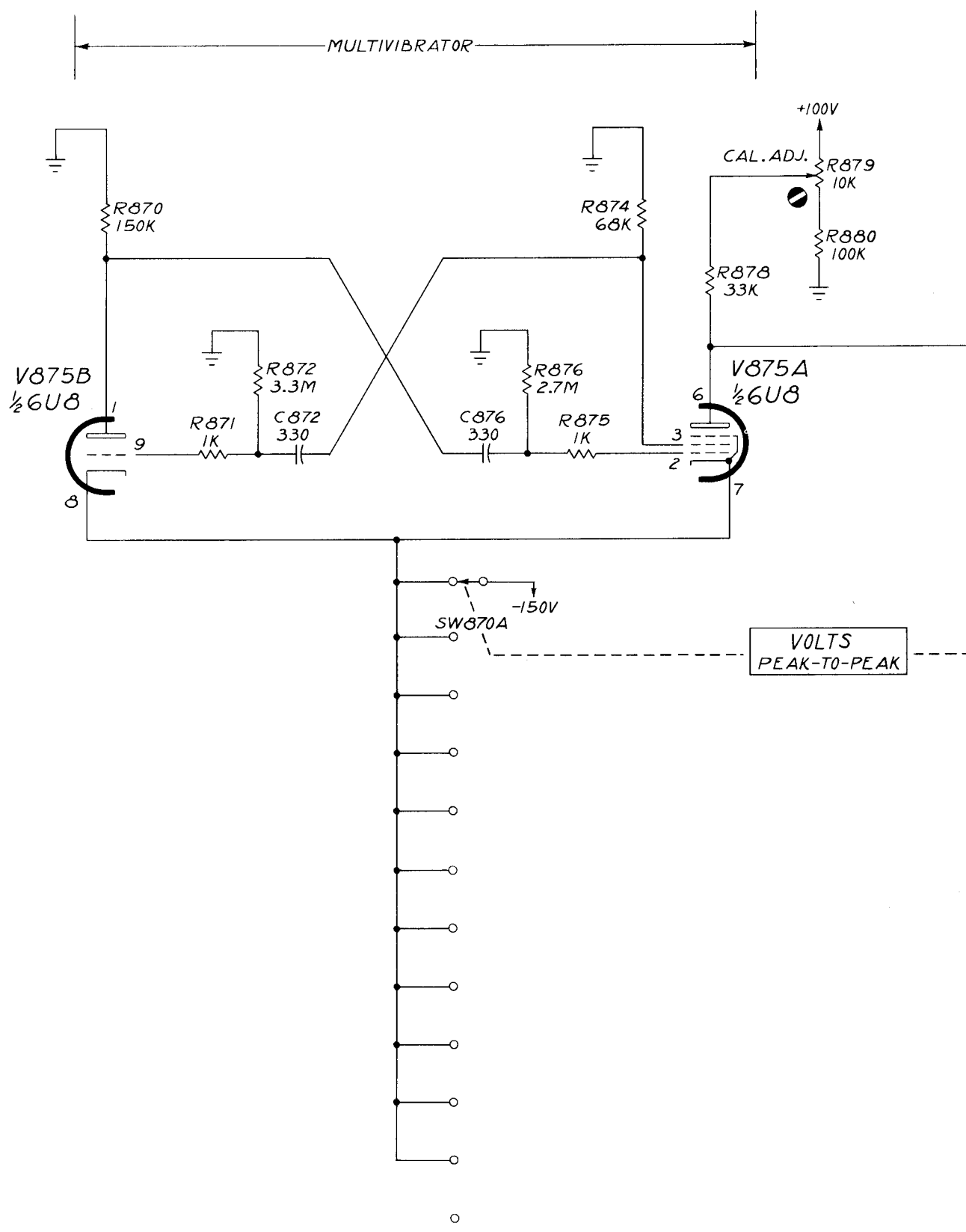
SEE PARTS LIST FOR EARLIER VALUES AND S/N CHANGES OF PARTS MARKED WITH RED TINT BLOCKS

R.O.W.
3-16-62

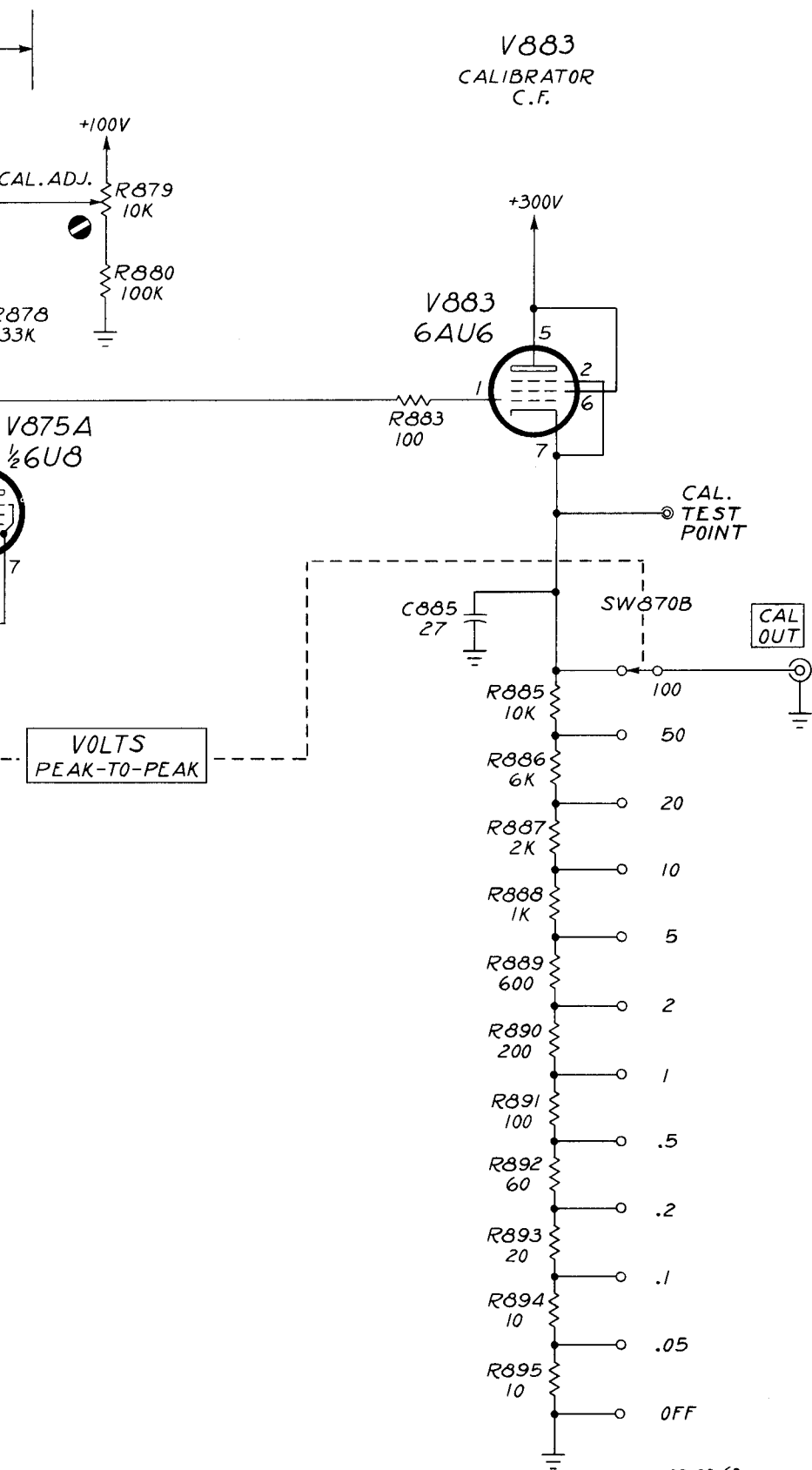
CRT CIRCUIT

CIRCUIT NUMBERS
800 THRU 859

AA



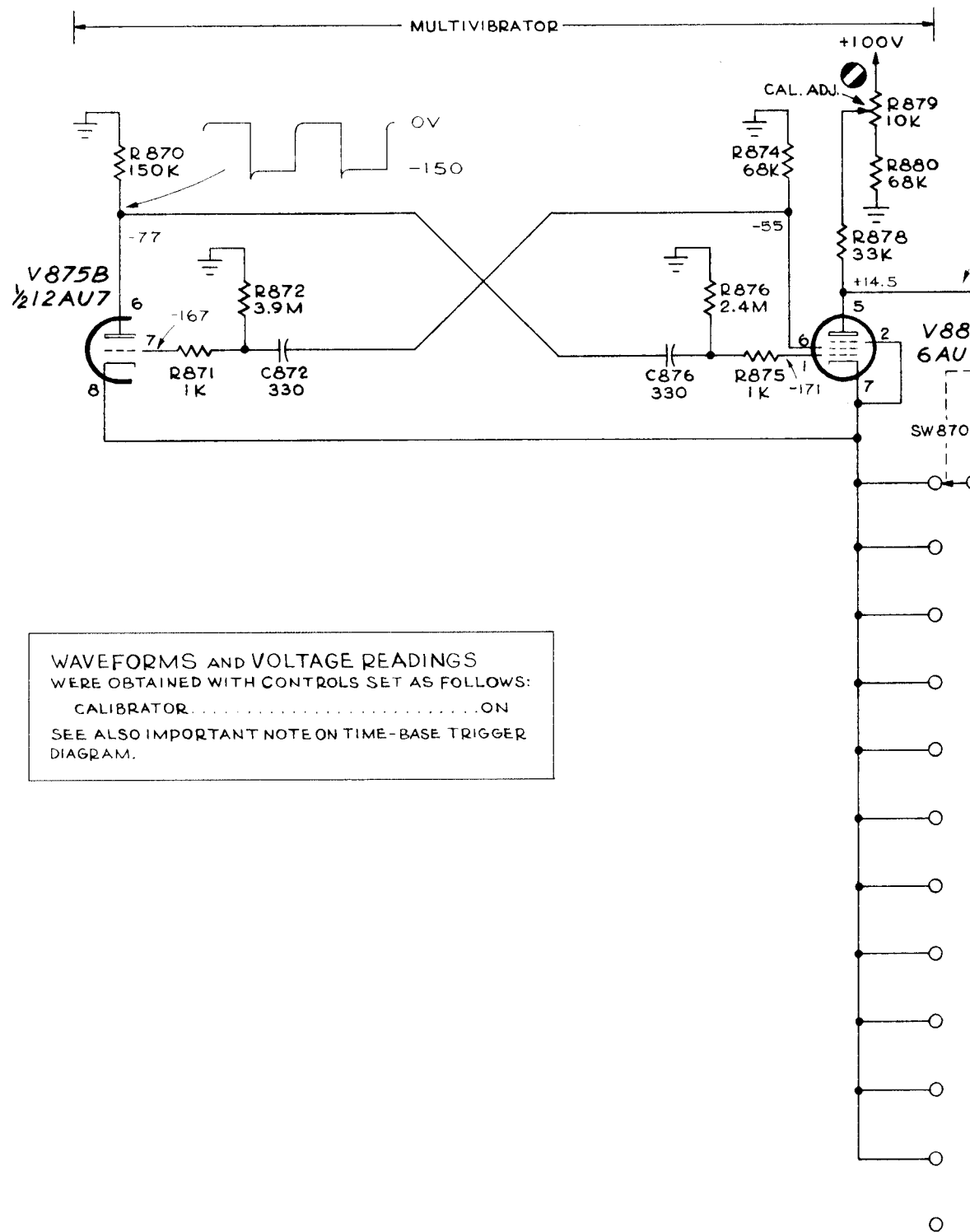
V883
CALIBRATOR
C.F.



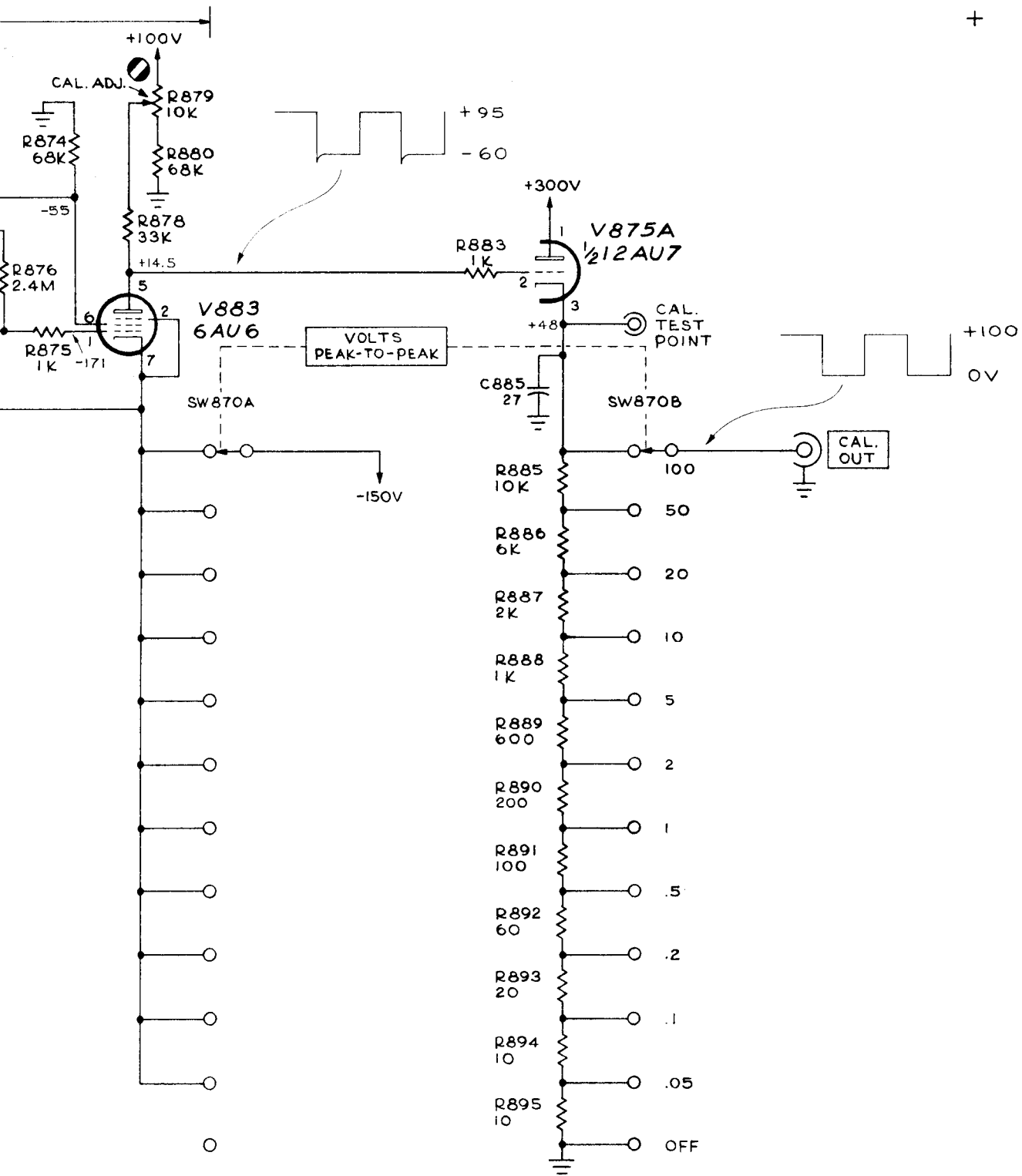
03-08-62
R. O. W.

CIRCUIT NUMBERS
870 THRU 899

CALIBRATOR
(EFF. S/N 101-859)



WAVEFORMS AND VOLTAGE READINGS
 WERE OBTAINED WITH CONTROLS SET AS FOLLOWS:
 CALIBRATOR.....ON
 SEE ALSO IMPORTANT NOTE ON TIME-BASE TRIGGER
 DIAGRAM.



EFF. S/N 860 & UP

UN
01-17-62

CIRCUIT NUMBERS
870 THRU 899

CALIBRATOR

AA

MANUAL CHANGE INFORMATION

At Tektronix, we continually strive to keep up with latest electronic developments by adding circuit and component improvements to our instruments as soon as they are developed and tested.

Sometimes, due to printing and shipping requirements, we can't get these changes immediately into printed manuals. Hence, your manual may contain new change information on following pages. If it does not, your manual is correct as printed.